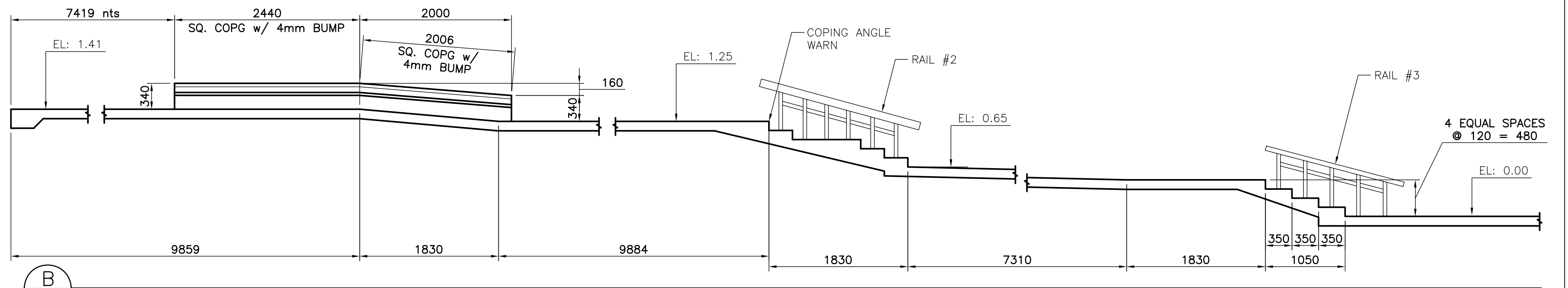
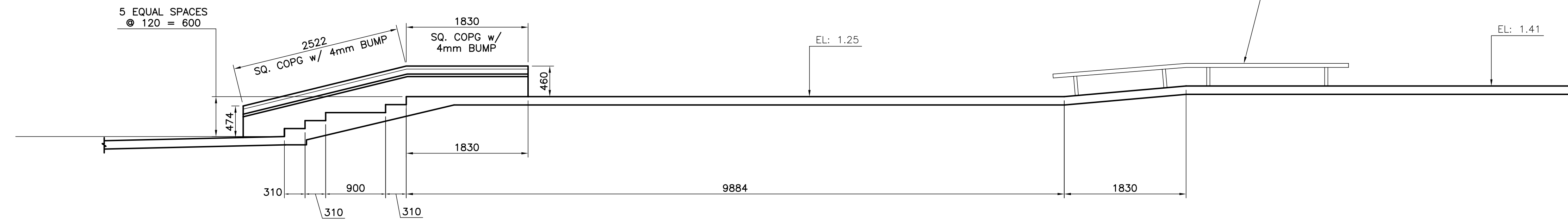


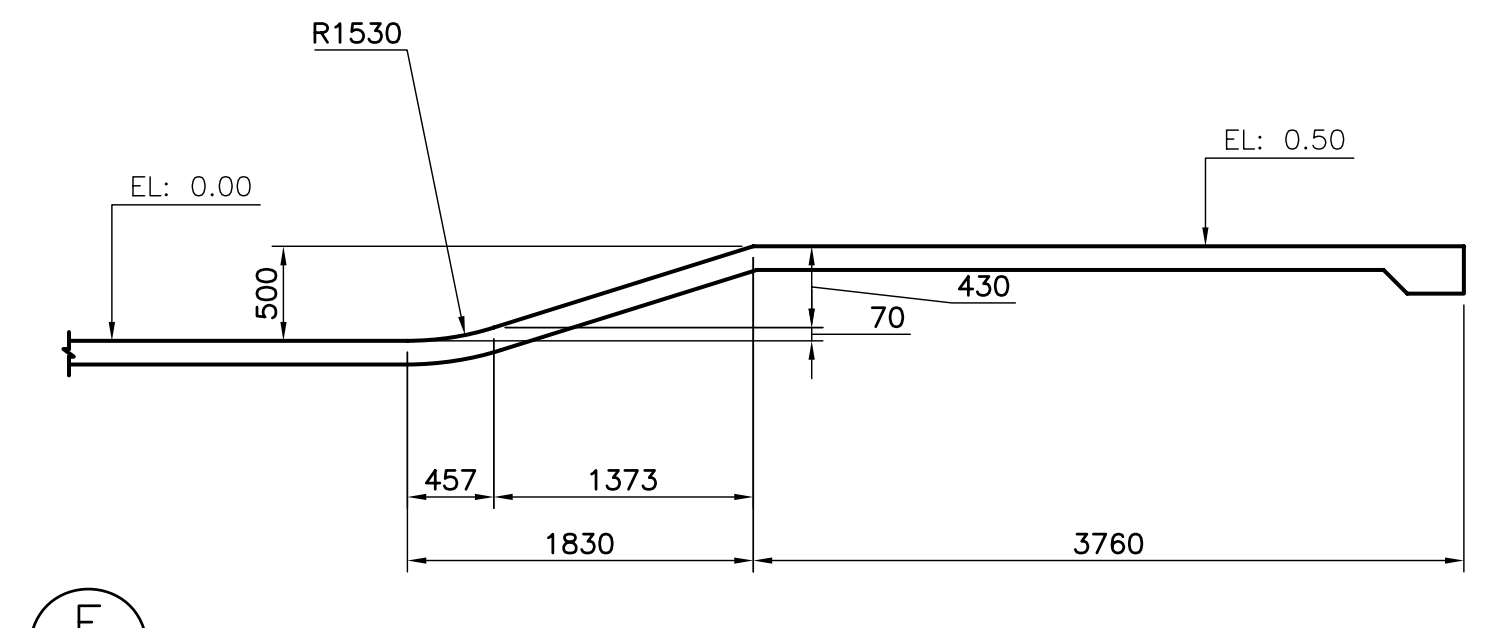
A
3.1



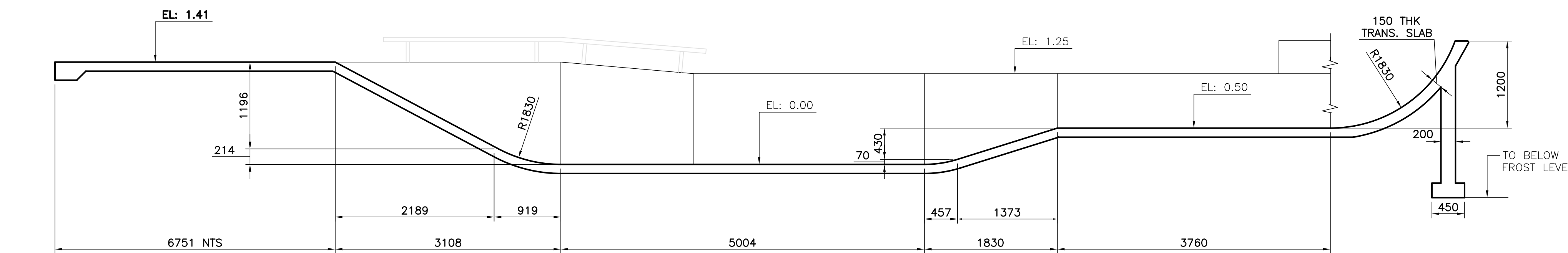
B
3.1



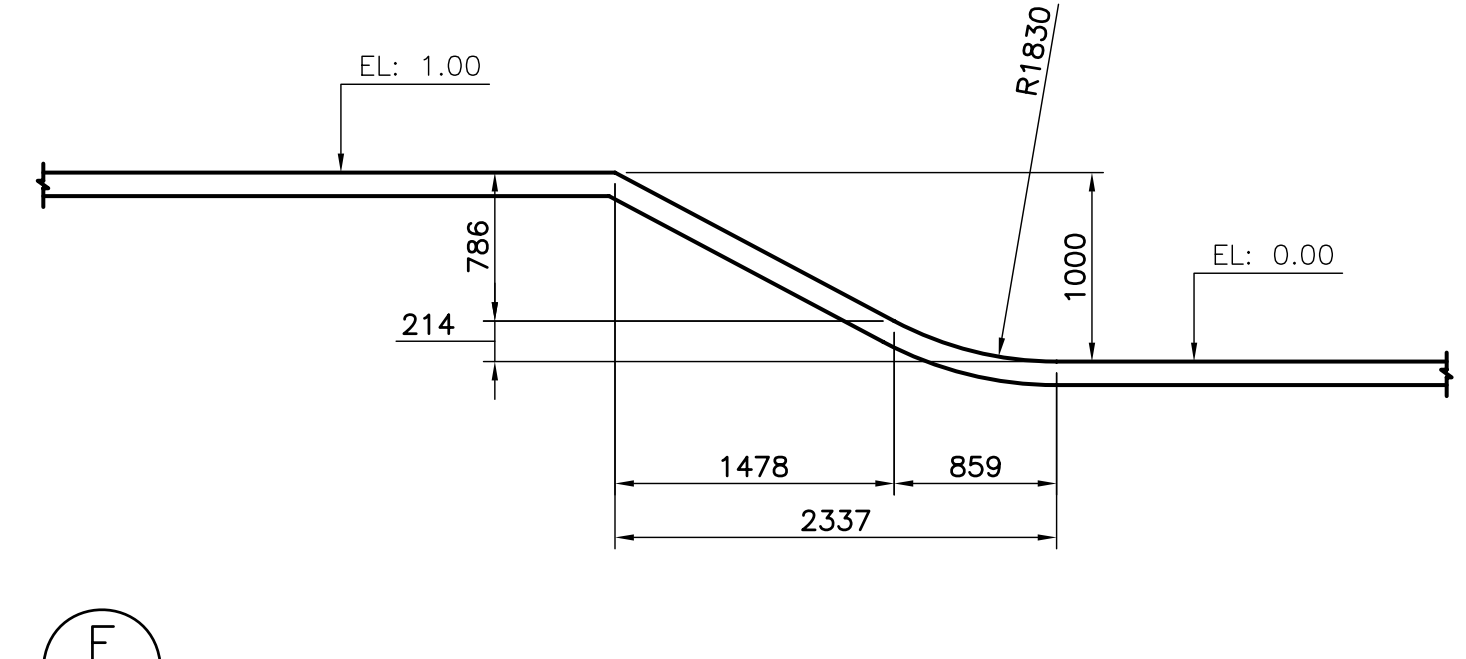
C
4.1



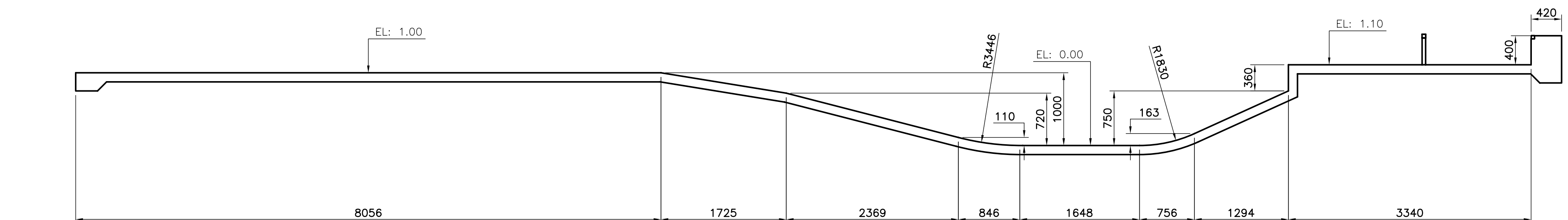
E
4.1



D
4.1



F
4.1



G
4.1

PROFESSIONAL
PROVINCE
OF
BRITISH COLUMBIA
ENGINEER
Robert Harry Fulton
R.H. Fulton
May 28, 2007

REVISIONS	DATE	BY
D		
C		
B		
A	MAY/28/07	MhR
NEW	MAY/9/07	MhR

NOTES:
1. ALL ELEVATION IN METRES.
2. SKATEPARK DATUM AT 0.00m ALL OTHER PARK ELEVATIONS ARE RELATIVE TO THIS DATUM
3. FOR ADDITIONAL CLARITY OR INFORMATION ON DIMENSIONS REFER TO SECTIONS DRAWINGS WHICH ARE INDEXED ON TITLEPAGE.

SPECTRUM SKATEPARK CREATIONS LTD. AND FULTON ENGINEERING CO. LTD. ARE THE SOLE PROPRIETORS OF THE CONTENTS OF THIS DRAWING PACKAGE. DUPLICATION OF ANY OF THE CONTENTS OF THIS DRAWING PACKAGE WITHOUT PERMISSION FROM THE AFOREMENTIONED PARTIES IS STRICTLY PROHIBITED.

SKATEPARK DESIGNED BY:
SPECTRUM
SKATEPARK CREATIONS LTD.

STRUCTURAL ENGINEERING CONSULTANT:

FULTON ENGINEERING COMPANY LTD.
Phone: (604) 589-3455
Cell: (604) 290-3455
Email: r.fulton@fultonengineering.ca
8605 Sunbury Place, V4C 3Y9
Delta, British Columbia, Canada

PROJECT
FORT GARRY COMMUNITY CENTRE SKATEBOARD PARK, MANITOBA

TITLE:
SECTIONS A-G PAGE 1 of 3

DESIGN BY: J.BARNUM
DRAWN BY: G.GAN
DATE: MAY/9/07
SCALE: 1 = 40

SHEET NO.
SK4.1