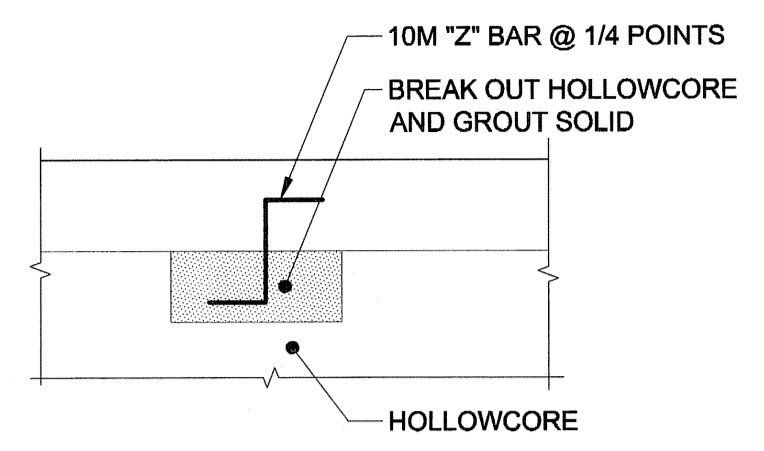
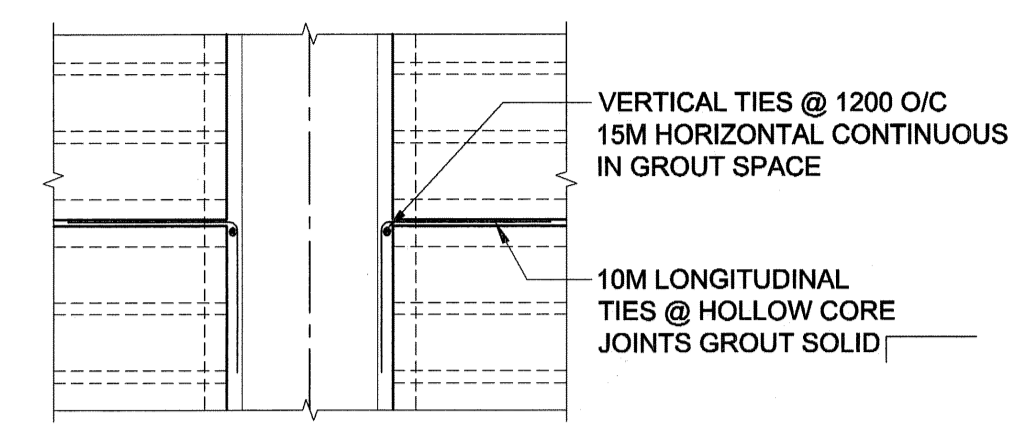


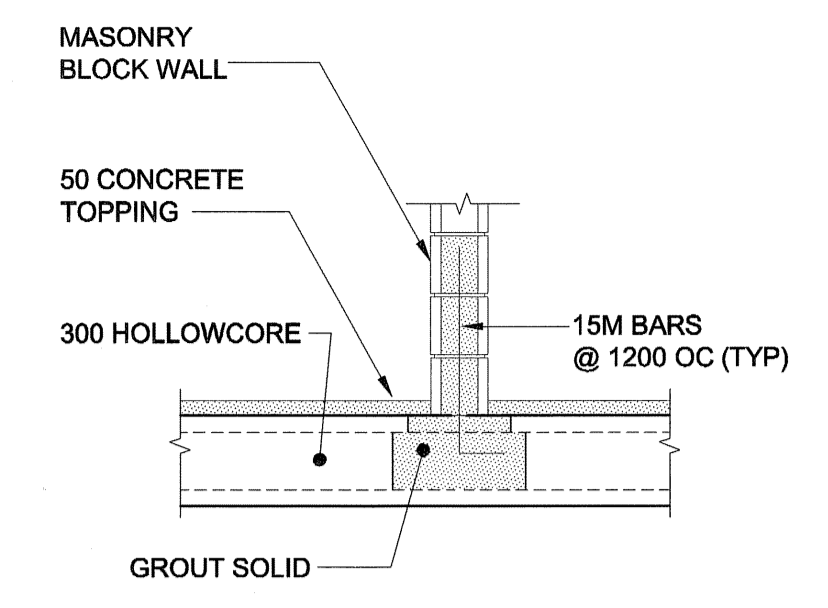
FILE NAME: F963-001-01-10-S-2003-RV.dwg  
 DATE: 2007.07.23  
 DESCRIPTION: Main Floor Framing Plan  
 PROJECT No: F963-001-01  
 ADDRESS: 699 Sargent St., Winnipeg, Manitoba  
 PLOT: 07.07.07.30.5:54:07 PM  
 UMA FILE NAME: F963-001-01-10-S-2003-RV.dwg



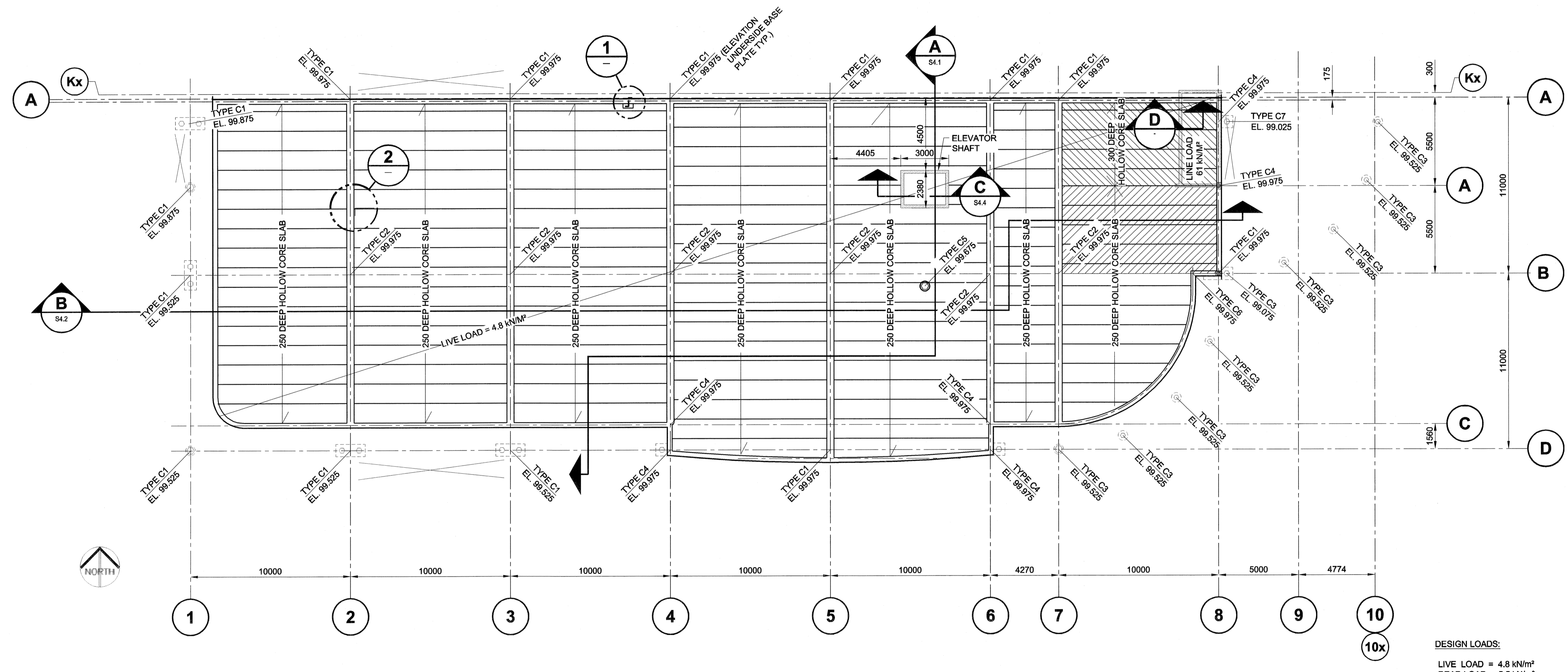
**DETAIL 1**  
 mm SCALE 1:25



**DETAIL 2**  
 mm SCALE 1:25

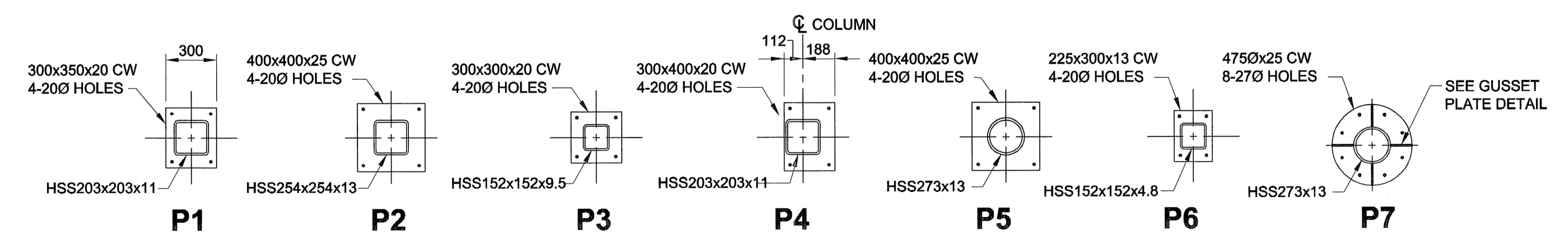


**SECTION D**  
 mm SCALE 1:25

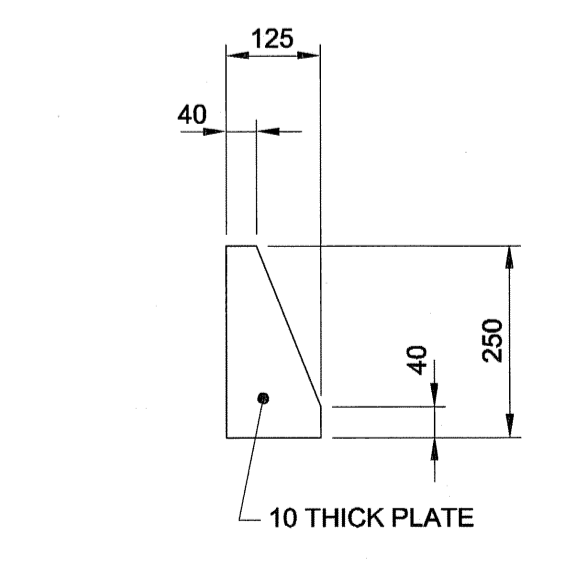


**MAIN FLOOR FRAMING PLAN**  
 mm SCALE 1:150

**DESIGN LOADS:**  
 LIVE LOAD = 4.8 kN/m<sup>2</sup>  
 DEAD LOAD = 5.5 kN/m<sup>2</sup>  
 TOTAL LOAD = 10.3 kN/m<sup>2</sup>



**BASE PLATE PLAN**



**GUSSET PLATE DETAIL**  
 mm SCALE 1:10

**NOTE:**  
 ALL ANCHOR BOLTS TO HAVE 75 LONG HOOK  
 ALL ANCHOR BOLTS TO BE A307 GRADE STEEL

**STEEL COLUMN SCHEDULE**

COLUMN TYPE	SIZE	BASEPLATE	ANCHOR BOLTS	EL. U/S OF BASE PLATE
C1	HSS203x203x11	P1	4-19Ø x 400 CW NUTS & WASHERS	SEE PLAN
C2	HSS254x254x13	P2	4-19Ø x 400 CW NUTS & WASHERS	SEE PLAN
C3	HSS152x152x9.5	P3	4-19Ø x 400 CW NUTS & WASHERS	SEE PLAN
C4	HSS203x203x11	P4	4-19Ø x 400 CW NUTS & WASHERS	SEE PLAN
C5	HSS273x13	P5	4-19Ø x 400 CW NUTS & WASHERS	SEE PLAN
C6	HSS152x152x4.8	P6	4-19Ø x 400 CW NUTS & WASHERS	SEE PLAN
C7	HSS273x13	P7	8-25Ø x 400 CW NUTS & WASHERS	SEE PLAN

**NOTE:**

FINAL HOLLOWCORE PANEL LAYOUT TO BE DETERMINED BY HOLLOWCORE SUPPLIER. IF LOCATIONS VARY FROM THOSE SHOWN ON THE DRAWING, COORDINATE REINFORCING REQUIRED WITH THE CONTRACT ADMINISTRATOR.

ALL HOLLOWCORE AND PRECAST CONCRETE SLAB EDGES SUPPORTED BY STEEL BEAMS TO HAVE 19Ø x 150 LONG STUD ANCHOR @ 1200 OC WELDED TO TOP FLANGE OF BEAM AND GROUTED INTO POCKETS OR CORES OF PRECAST. STEEL AND PRECAST SUPPLIER TO COORDINATE LOCATIONS.

FOR SMALL MECHANICAL OPENINGS THROUGH LOAD-BEARING WALLS AND THROUGH BRICK VENEER OPENINGS SHALL BE SPACED TO ENSURE MINIMUM 200 CLEAR BETWEEN OPENINGS. PROVIDE GALVANIZED L200x200x9.5 LOOSE ANGLE LINTEL FOR BRICK SUPPORT.

FOR OPENINGS THROUGH HOLLOWCORE, POSITION OPENINGS TO ALIGN WITH CORES. DO NOT CUT TENDON REINFORCING. POSITION SO THAT ONE PIPE GOES THROUGH EACH CORE. WHERE PIPE BANKS RUN PARALLEL TO HOLLOWCORE, SPACE OPENINGS AT MINIMUM 150 OC. COORDINATE ALL OPENING LOCATIONS WITH HOLLOWCORE SUPPLIER PRIOR TO MANUFACTURING OF HOLLOWCORE.

**NOTE:**

T.O. HOLLOW CORE 99.950

T.O. HOLLOW CORE @ SHADED AREA 99.925

**UMA | AECOM**

© 2007 UMA ENGINEERING LTD. ALL RIGHTS RESERVED.

**APEGM**  
 Certificate of Authorization  
 UMA Engineering Ltd. (MB)  
 No. 256 Date: July 30, 2007

DRN CHK DES ENG IDR  
 UMA | AECOM REVIEW

1	REVISED AS PER CITY PREVIEW	MP	07/07/30
0	ISSUED FOR TENDER	MP	07/07/23

NO. REVISION/DESCRIPTION BY DATE

SEALS

PROVINCE OF MANITOBA  
 B.L. LAU  
 REGISTERED PROFESSIONAL ENGINEER  
 July 30, 2007

DRAWN BY MP CHECKED BY USER APPROVED  
 DATE 2007.02.21

CITY OF WINNIPEG  
 PLANNING, PROPERTY & DEVELOPMENT DEPARTMENT  
 CIVIC ACCOMMODATIONS DIVISION  
 300 - 65 GARRY ST. R3C 4K4

PROJECT  
 Construction of Cindy Klassen  
 Recreation Complex Facility  
 Enhancement Project  
 999 Sargent St. Winnipeg, Manitoba

SHEET TITLE  
 Structural  
 Main Floor Framing  
 Plan and Details

SCALE AS NOTED	PROJECT NO. 2005-059	SHEET NO. S2.3
-------------------	-------------------------	-------------------

DRAWING SHEET SIZE: A1 (841mm x 594mm) PLOT 1:1