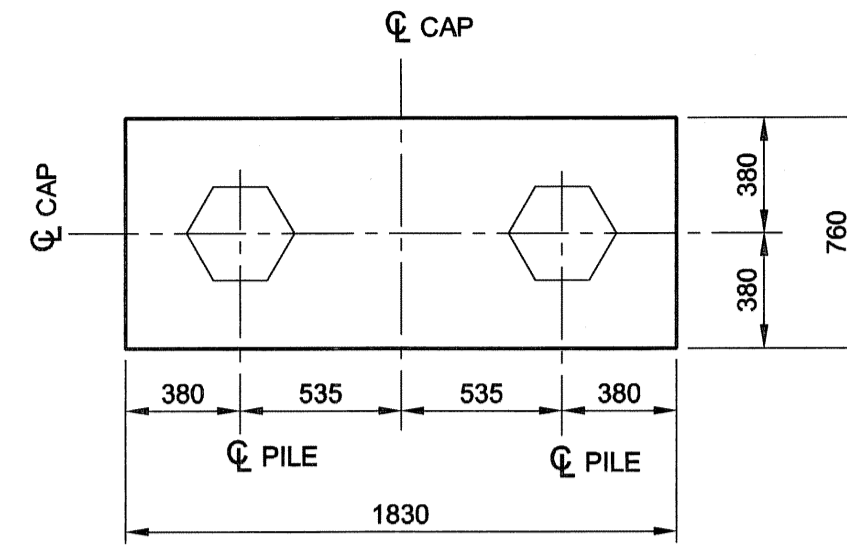


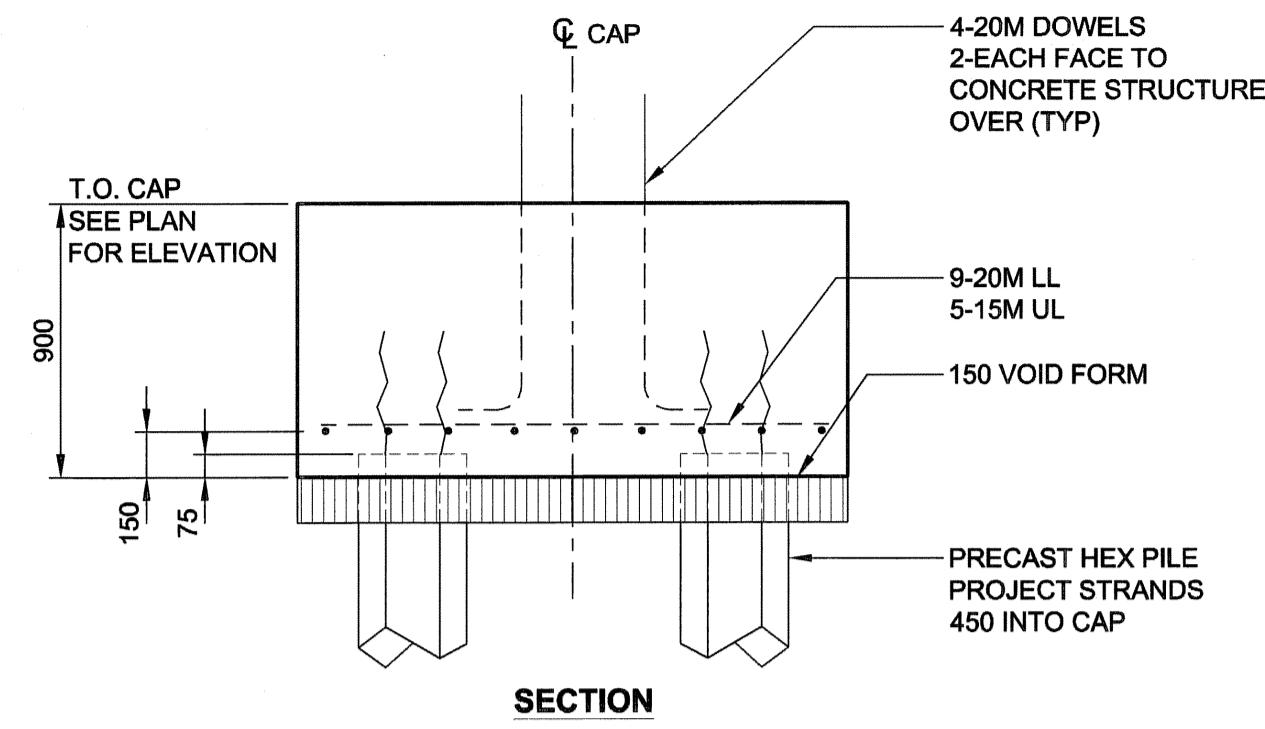
SINGLE PILE CAP

0 250 500 750 mm SCALE 1:25
TYPICAL REINFORCING DETAIL



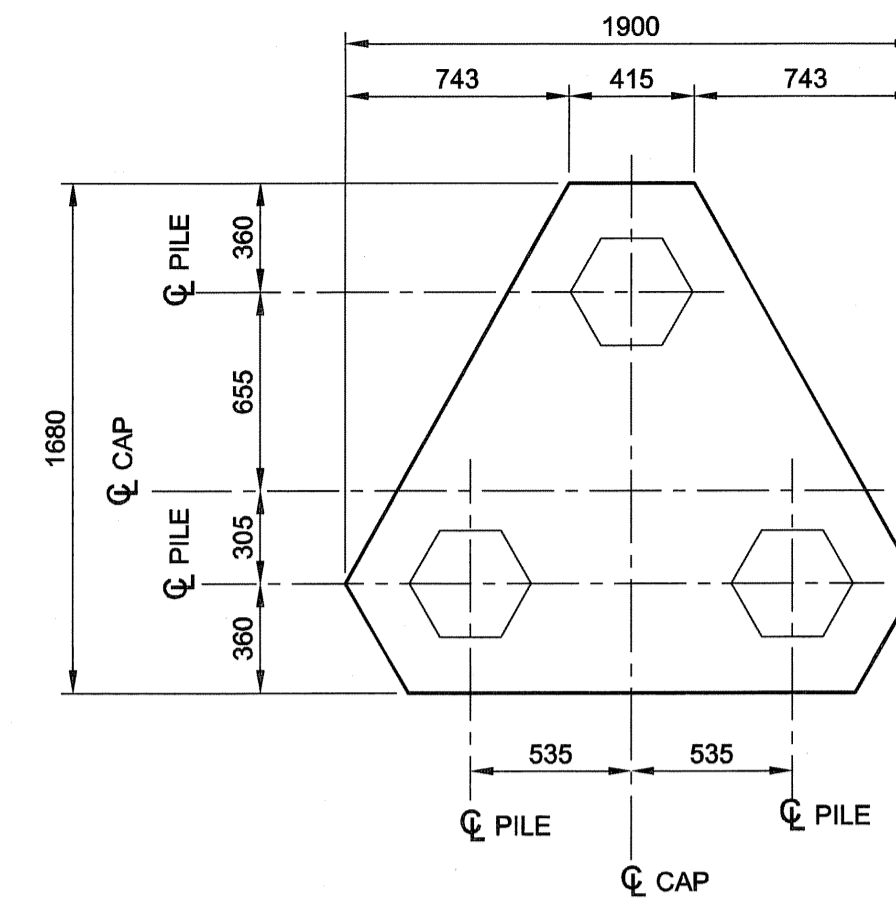
DOUBLE PILE CAP PLAN

0 250 500 750 mm SCALE 1:25
TYPICAL REINFORCING DETAIL



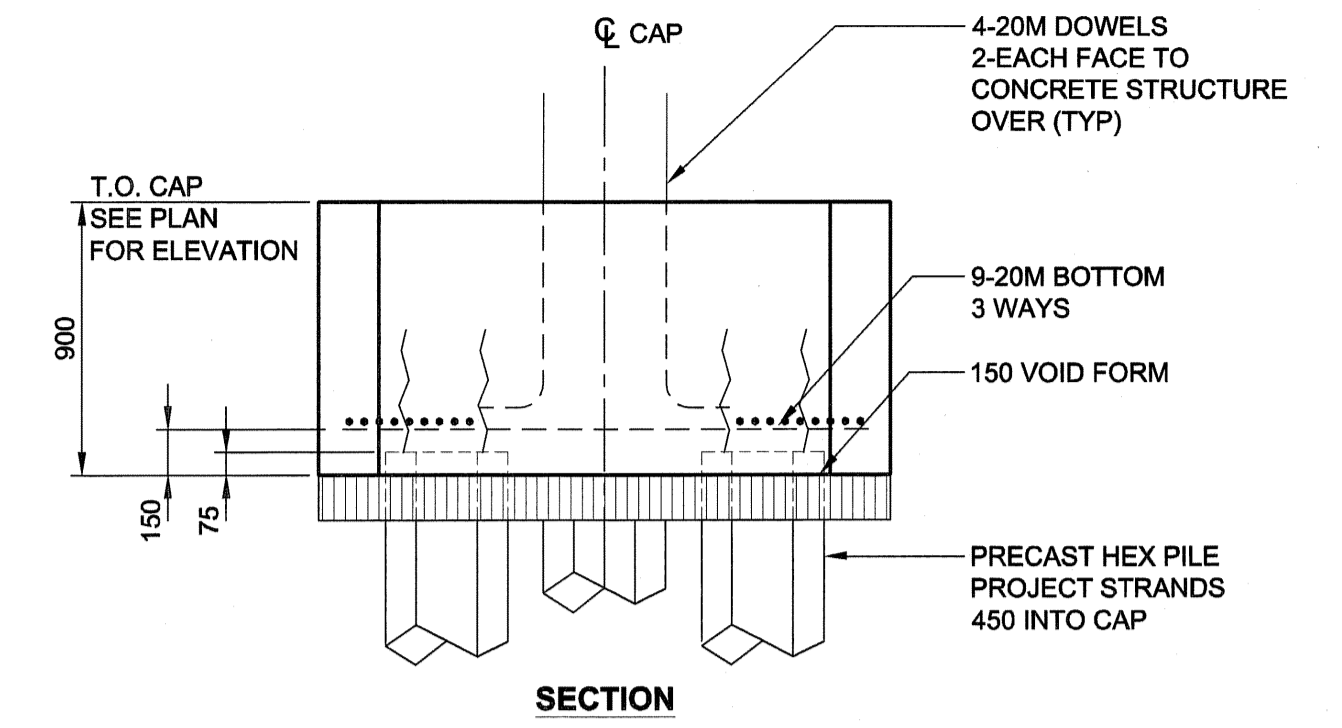
DOUBLE PILE CAP

0 250 500 750 mm SCALE 1:25
TYPICAL REINFORCING DETAIL



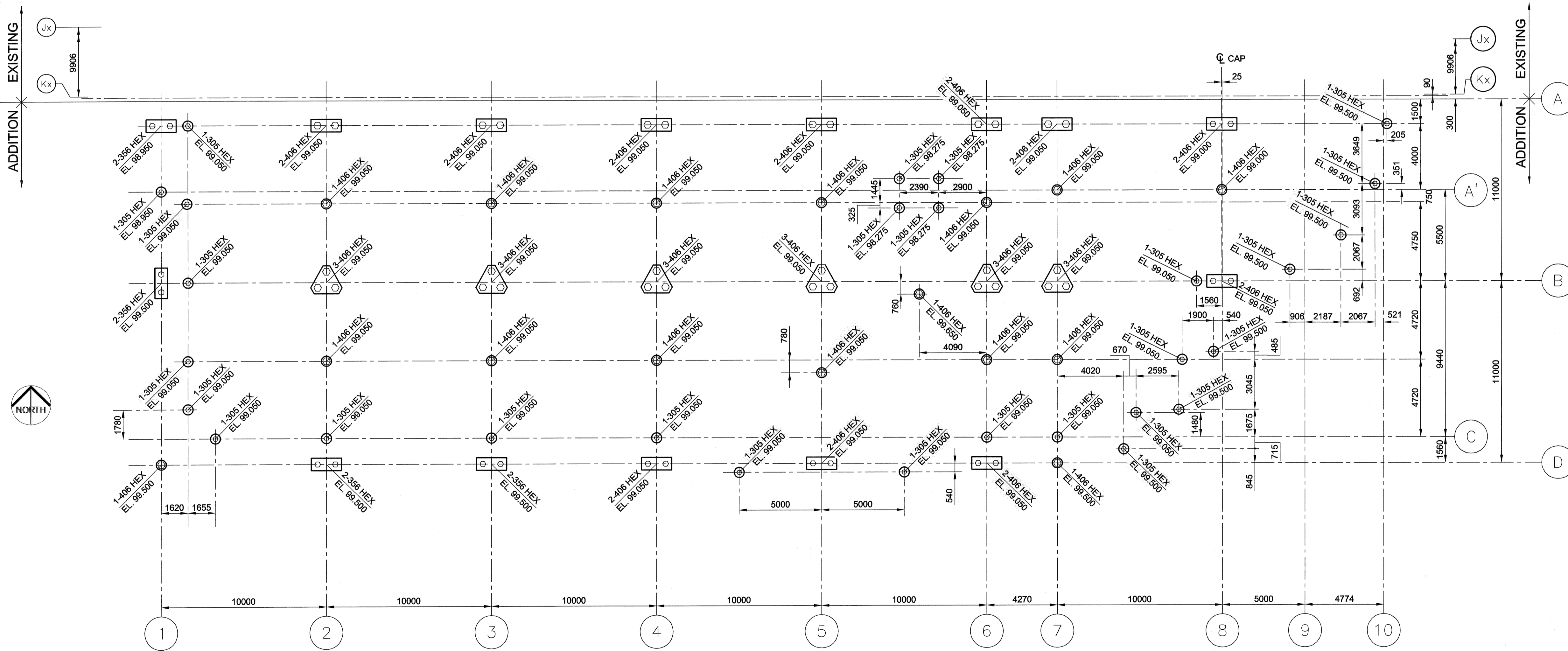
TRIPLE PILE CAP PLAN

0 250 500 750 mm SCALE 1:25
TYPICAL REINFORCING DETAIL



TRIPLE PILE CAP

0 250 500 750 mm SCALE 1:25
TYPICAL REINFORCING DETAIL



PILE LAYOUT

0 1500 3000 4500 mm SCALE 1:150

NOTE:
ALL PILES TO BE PRECAST DRIVEN PILES UNLESS NOTED OTHERWISE
ELEVATIONS INDICATED ARE TOP OF CAP UNLESS NOTED OTHERWISE
ELEVATION TOP OF PILE CAP = 99.050 UNLESS NOTED OTHERWISE
PREBORE PILES A MINIMUM OF 3000MM FROM EXISTING GRADE AS PER GEOTECHNICAL REPORT.

UMA | AECOM

© 2007 UMA ENGINEERING LTD. ALL RIGHTS RESERVED.

APECM
Certificate of Authorization
UMA Engineering Ltd. (MB)
No. 256 Date: July 23, 2007

DRN	CHK	DES	ENG	IDR
-----	-----	-----	-----	-----

UMA | AECOM REVIEW

0	ISSUED FOR TENDER	MP	07/07/23
NO.	REVISION/DESCRIPTION	BY	DATE



DRAWN BY: MP | CHECKED BY: | APPROVED: |
DATE: 2007.02.21 | USER APPROVAL

CITY OF WINNIPEG
PLANNING, PROPERTY & DEVELOPMENT DEPARTMENT
CIVIC ACCOMMODATIONS DIVISION
300 - 65 GARRY ST. R3C 4K4

PROJECT
Construction of Cindy Klassen
Recreation Complex Facility
Enhancement Project
999 Sargent St. Winnipeg, Manitoba

SHEET TITLE
Structural
Pile Layout
Foundation Plan

SCALE AS NOTED	PROJECT NO. 2005-059	SHEET NO. S2.1
-------------------	-------------------------	-------------------