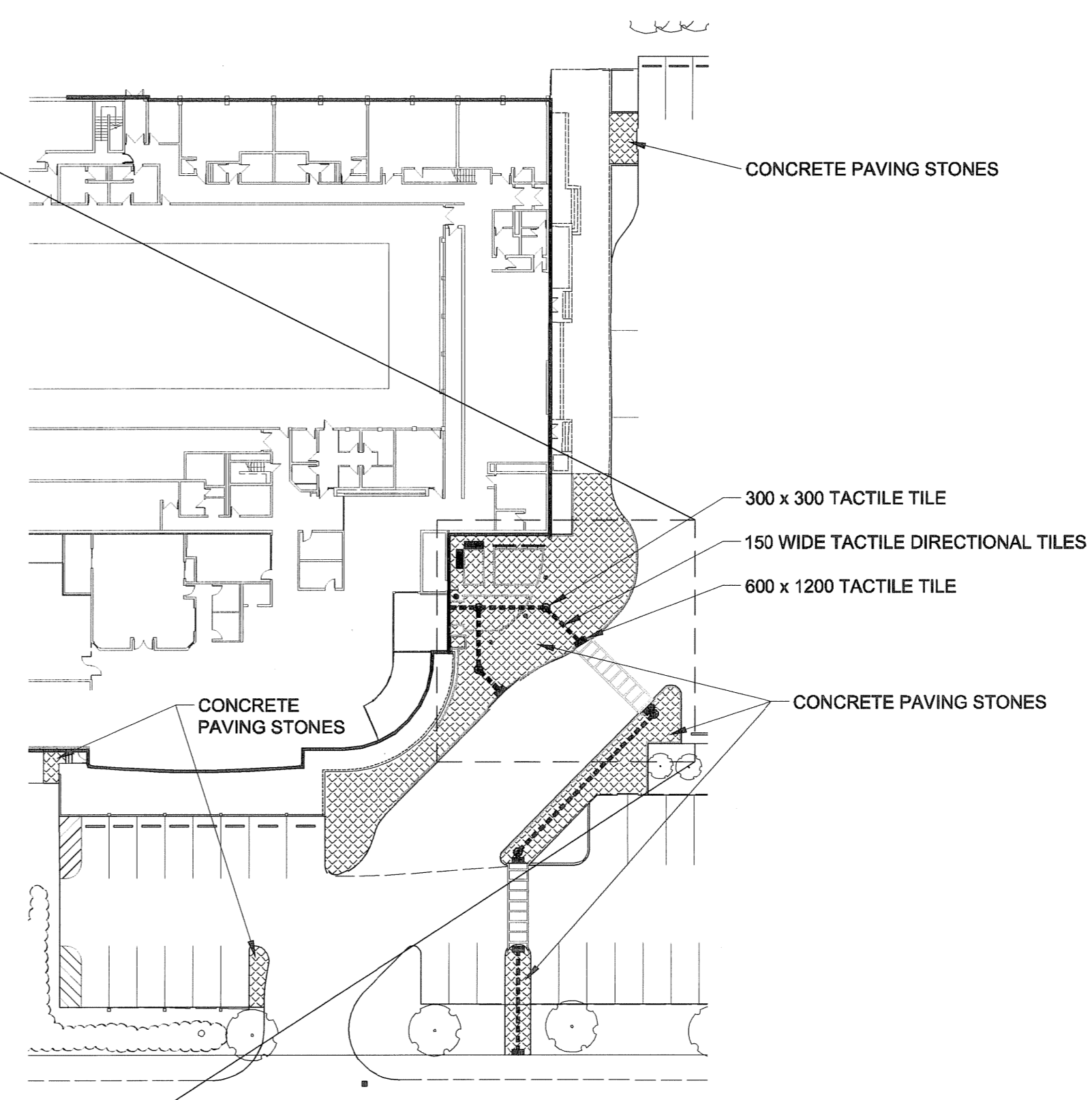
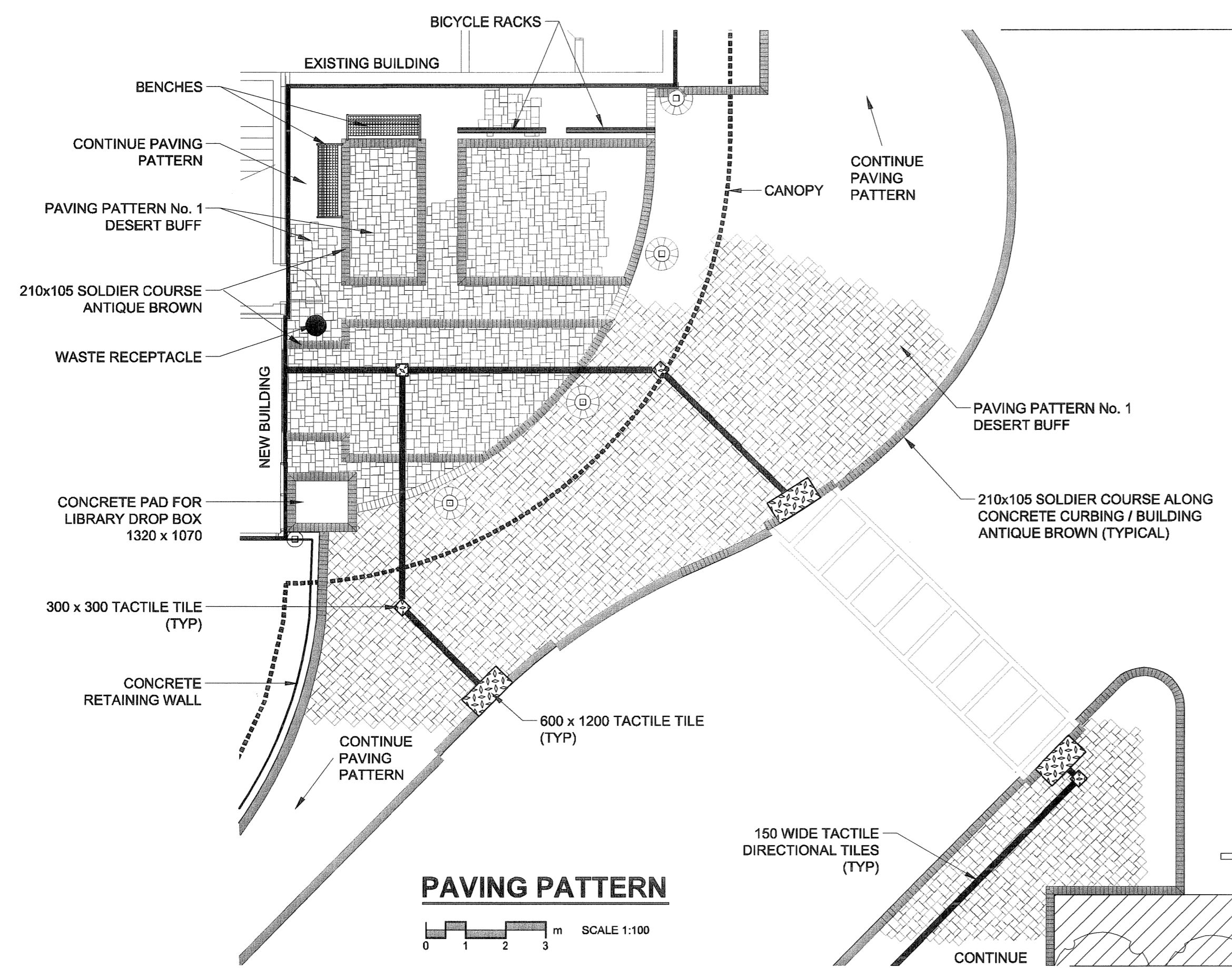
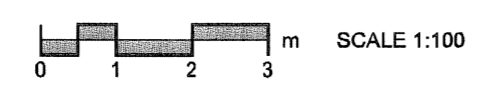


UMA FILE NAME: F953-001-01_02-7002_RX.dwg
 ADDRESS: 989 Sargent Avenue, Winnipeg, MB
 PROJECT No: F953-001-01
 DESCRIPTION: Details
 DATE: 2007.02.20
 FILE NAME: F953-001-01_01-1-7001

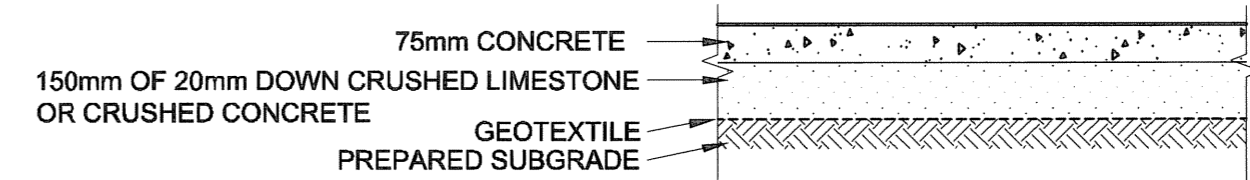


PAVING PATTERN

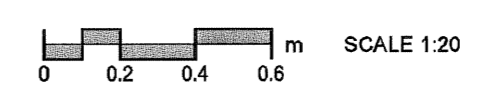


NOTE: CONCRETE PAVING STONES: BARKMAN CONCRETE
 TYPE: ROMAN SERIES
 COLOUR: ANTIQUE BROWN AND DESERT BUFF
 REFER TO LAYOUT DRAWING FOR COMPLETE PAVING STONE AREAS.

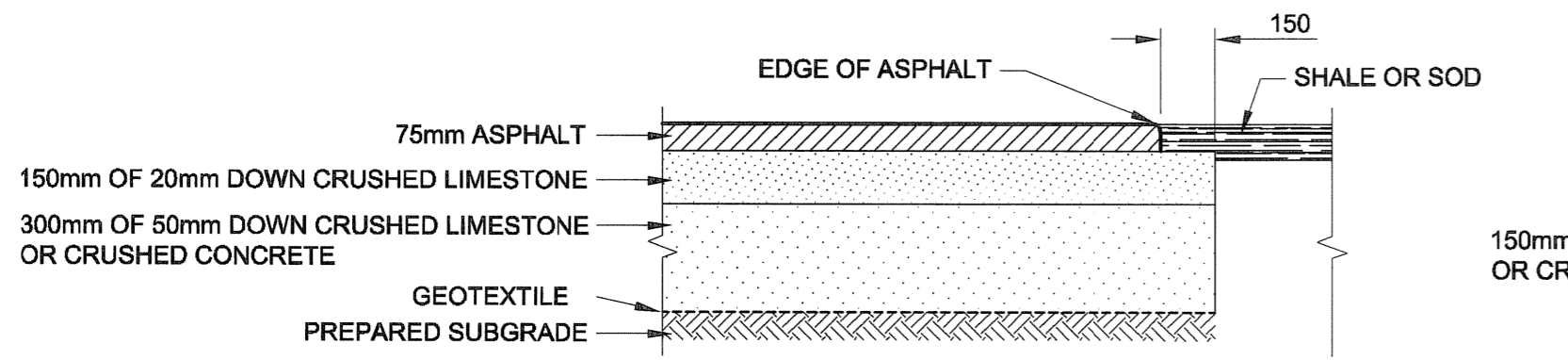
TACTILE SYSTEM
 ARMOR-TILE MODULAR PAVERS
 SIZES: 600 X 1200 AT CURB CUTS (6)
 300 X 300 AT DIRECTIONAL CHANGE (5)
 150 WIDE FOR LINEAR DIRECTIONAL TILES (±50 lm)
 COLOUR: DARK GRAY



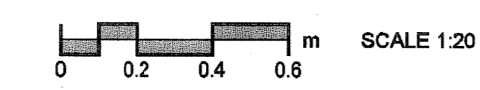
DETAIL 7



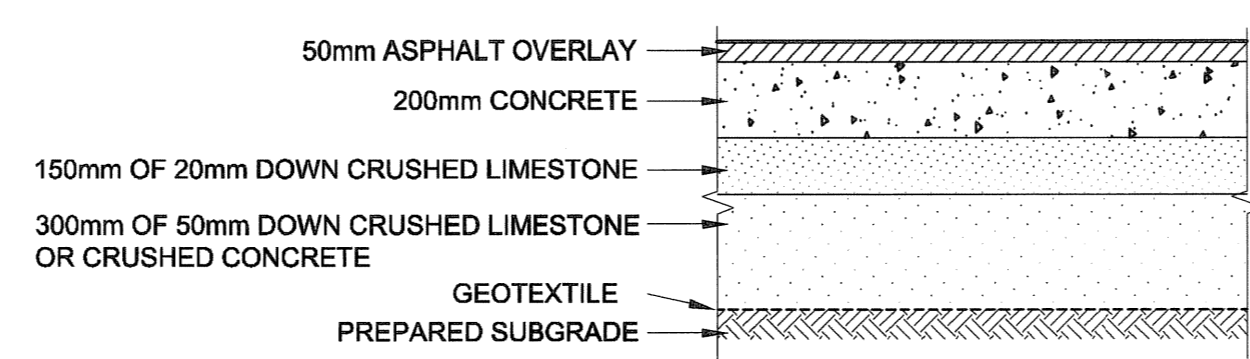
ASPHALT PATH



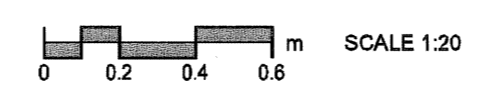
DETAIL 5



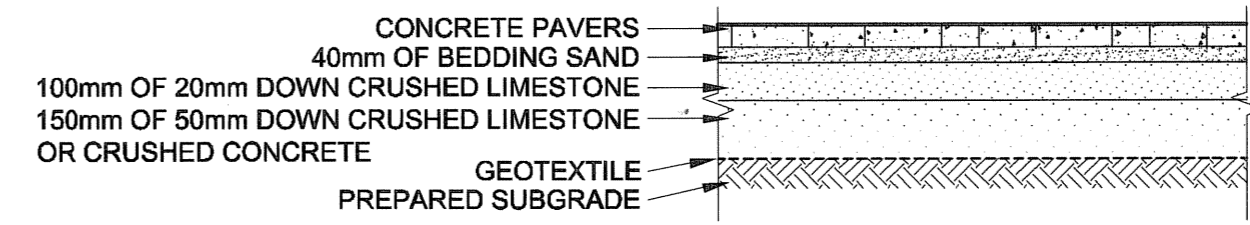
BASE AND EDGE FOR ASPHALT PARKING LOT



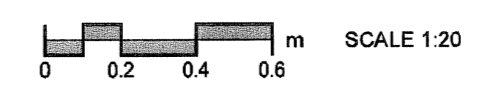
DETAIL 6



BASE FOR CONCRETE APPROACH



DETAIL 8



BASE FOR PAVERS

UMA | AECOM
 C 2006 UMA ENGINEERING LTD. ALL RIGHTS RESERVED.

AECOM
 Certificate of Authorization
 UMA Engineering Ltd. (MB)
 No. 256 Date: 07/07/20

UMA | AECOM REVIEW

NO.	REVISION/DESCRIPTION	BY	DATE
0	ISSUED FOR TENDER	LJV	07/07/23

SEALS

The Manitoba Association of Landscape Architects
 DONALD K. HESTER
 member no. 32

DRAWN BY: LW
 CHECKED BY: USER APPROVAL
 DATE: 2007.07.20

CITY OF WINNIPEG
 PLANNING, PROPERTY & DEVELOPMENT DEPARTMENT
 CIVIC ACCOMMODATIONS DIVISION
 300 - 65 GARRY ST. R3C 4K4

PROJECT
Construction of Cindy Klassen Recreation Complex Facility Enhancement Project
 999 Sargent Avenue, Winnipeg, MB

SHEET TITLE
Paving Details

SCALE	PROJECT NO.	SHEET NO.
AS NOTED	2005-059	L7.2

DRAWING SHEET SIZE: A1 (841mm x 594mm) PLOT 1:1