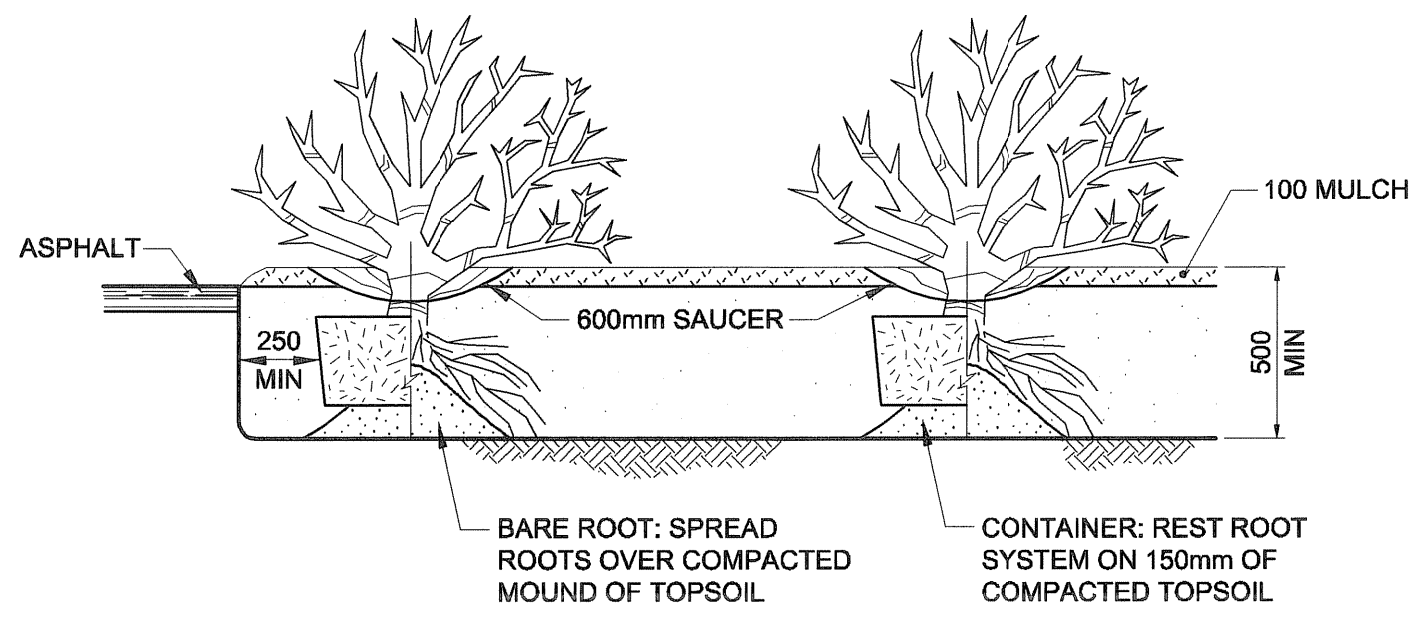
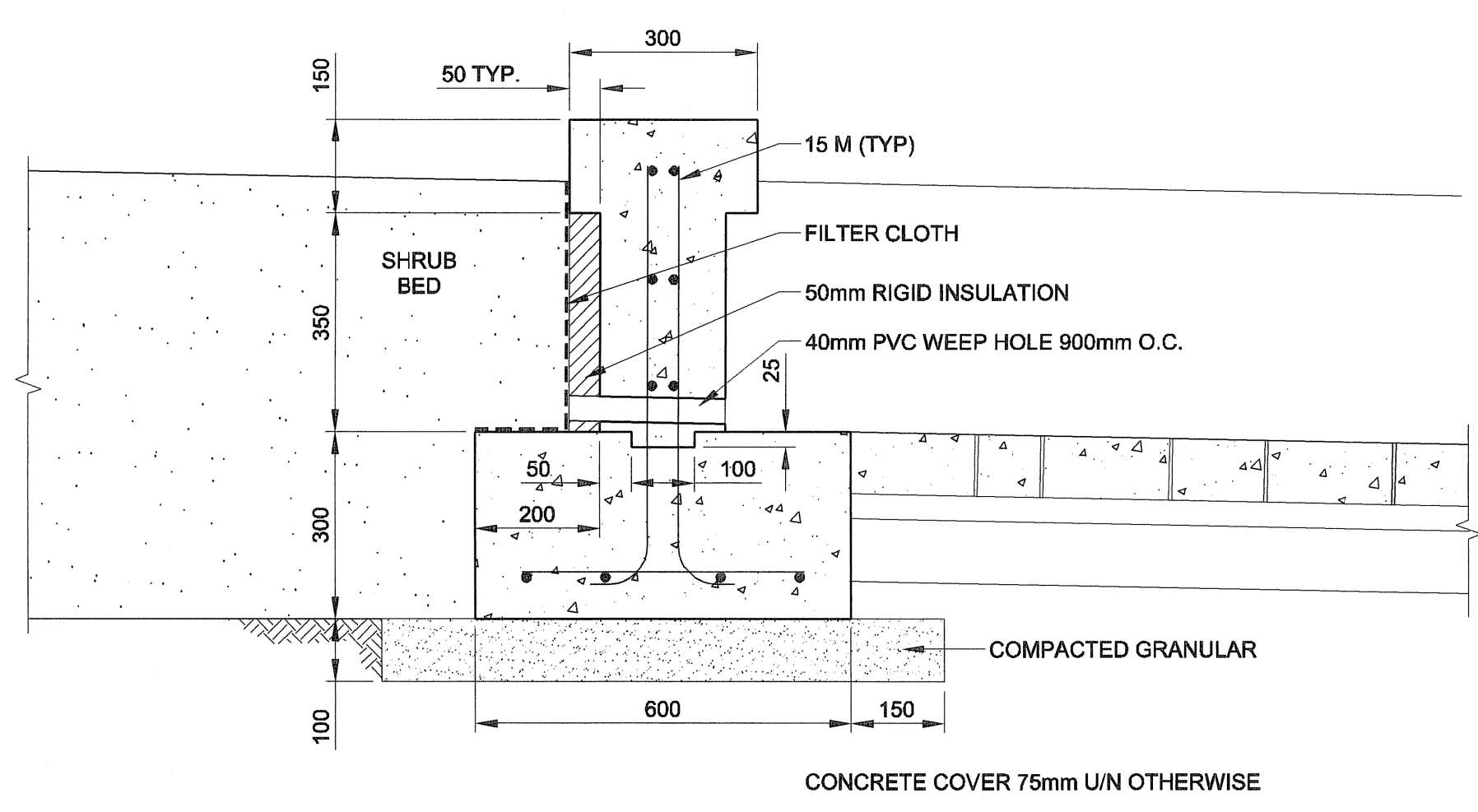


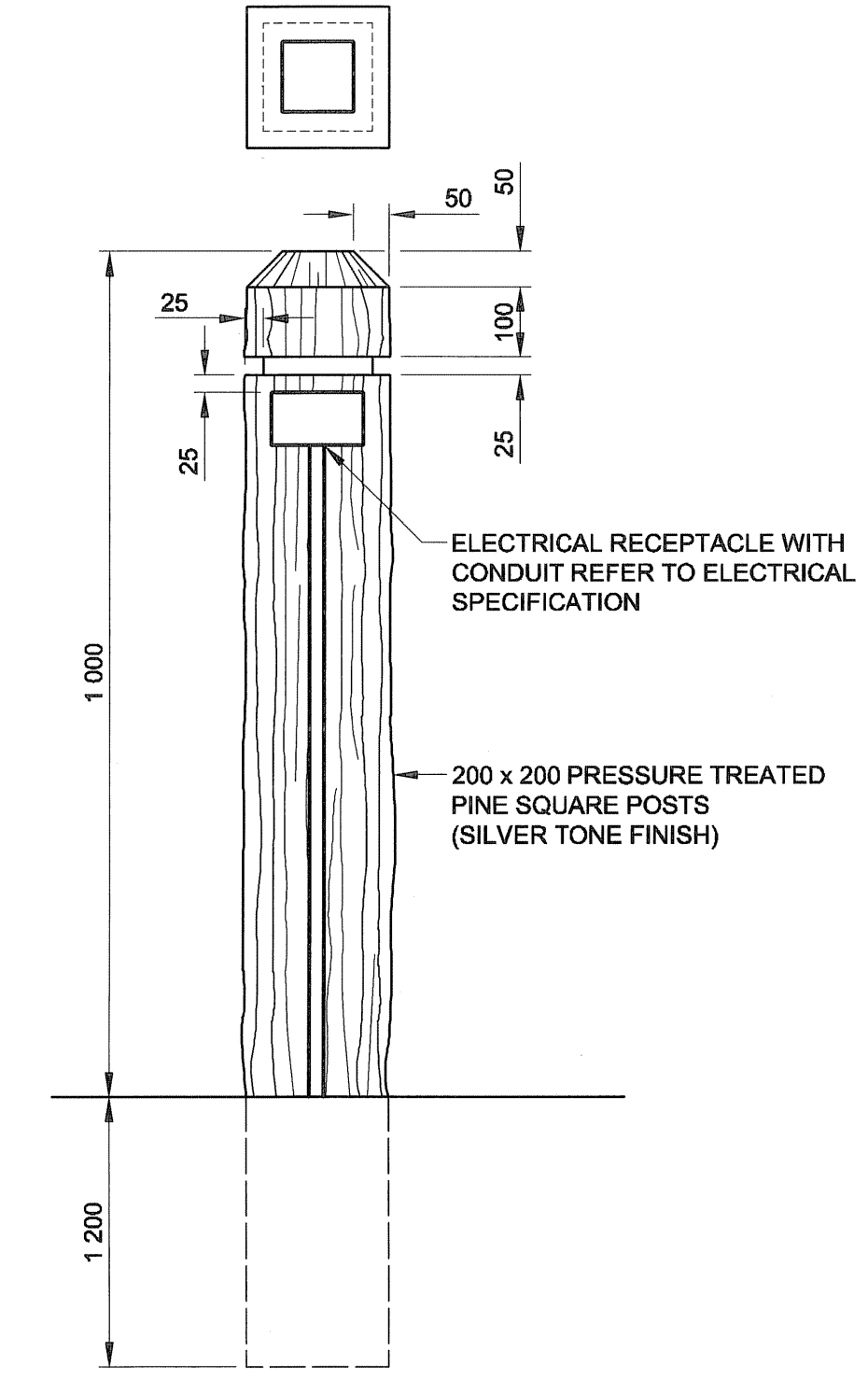
DETAIL 1
 SCALE: N.T.S.
 TYPICAL DECIDUOUS TREE PLANTING



PLAN 2
 SCALE: N.T.S.
 TYPICAL SHRUB PLANTING



DETAIL 3
 SCALE 1:10
 CONCRETE RETAINING WALL



NOTE: 1. SILVERTONE, PRESSURE TREATED CAA PINE POSTS.
 2. ALL POSTS THOROUGHLY TAMPED AND EARTH MOUNDED APPROX. 100mm AT EACH POST FOR FUTURE SETTLING.

DETAIL 4
 SCALE 1:10
 WOOD BOLLARD WITH ELECTRICAL RECEPTACLES

PLANT LIST

No.	COMMON NAME	BOTANICAL NAME	SIZE/HEIGHT	NOTES
DECIDUOUS TREES				
9	Silver Maple	Acer negundo	50mm cal.	B&B/Container
1	Delta Hackberry	Celtis occidentalis 'Delta'	65mm cal.	B&B/Container
6	Tower Poplar	Populus x canescens 'Tower'	65mm cal.	Container
4	American Elm	Ulmus americana	65mm cal.	B&B/Container
DECIDUOUS SHRUBS, SMALL AND MEDIUM				
31	Miniglobe Honeysuckle	Lonicera x xylosteoides 'Miniglobe'	0.45m ht.	B&B/Container
61	Abbotswood Potentilla	Potentilla fruticosa 'Abbotswood'	0.45m ht.	B&B/Container
55	Alpine Currant	Ribes alpinum	0.45m ht.	B&B/Container
77	Cuthbert Grant Rose	Rosa arkansana x 'Cuthbert Grant'	0.45m ht.	B&B/Container
30	White Pavement Rose	Rosa sp 'White'	0.45m ht.	B&B/Container
153	Purple Pavement Rose	Rosa sp 'Purple'	0.45m ht.	B&B/Container
60	Blue Fox Willow	Salix brachycarpa 'Blue Fox'	0.50m ht.	B&B/Container
21	Blue Muffin Arrowwood	Viburnum dentatum 'Blue Muffin'	0.60m ht.	B&B/Container
51	Bailey's Compact Cranberry	Viburnum trilobum 'Bailey's Compact'	0.60m ht.	B&B/Container
CONIFEROUS SHRUBS				
19	Calgary Carpet Juniper	Juniperus sabina 'Calgary Carpet'	500mm Spread	Container
PERENNIALS				
111	Stirling Daylily	Hermerocallis x hybrida 'Stirling'	2 year transplant	Container, healthy, vigorous growth characteristics
36	Stella d'Oro Daylily	Hermerocallis x hybrida 'Stella d'Oro'	2 year transplant	Container, healthy, vigorous growth characteristics
22	Dragon's Blood Sedum	Sedum spurium 'Dragon's Blood'	2 year transplant	Container, healthy, vigorous growth characteristics
150	Sunny Border Blue Speedwell	Veronica longifolia 'Sunny Border Blue'	2 year transplant	Container, healthy, vigorous growth characteristics

SPECIFICATION: All plant material to be supplied and installed in accordance with the latest edition of Landscape Canada's Metric Guide Specifications for Nursery Stock.
 NOTE: SEE PLANTING DETAILS, SHEET P-3258-208

UMA | AECOM
 © 2006 UMA ENGINEERING LTD. ALL RIGHTS RESERVED.

APEGM
 Certificate of Authorization
 UMA Engineering Ltd. (MB)
 No. 256 Date: 07/07/20

DRN CHK DES ENG IDR
 UMA | AECOM REVIEW

0	ISSUED FOR TENDER	LJV	07/07/23
NO.	REVISION/DESCRIPTION	BY	DATE

SEALS
 the manitoba association of landscape architects
 DONALD K. HESTER
 member no. 32

DRAWN BY: LJV CHECKED BY: APPROVED
 DATE: 2007.07.20 USER APPROVAL

Winnipeg CITY OF WINNIPEG
 PLANNING, PROPERTY & DEVELOPMENT DEPARTMENT
 CIVIC ACCOMMODATIONS DIVISION
 300 - 65 GARRY ST. R3C 4K4

PROJECT
 Construction of Cindy Klassen
 Recreation Complex Facility
 Enhancement Project
 999 Sargent Avenue, Winnipeg, MB

SHEET TITLE
 Landscape Details

SCALE AS NOTED PROJECT NO. 2005-059 SHEET NO. L7.1
 DRAWING SHEET SIZE: A1 (841mm x 594mm) PLOT 1:1