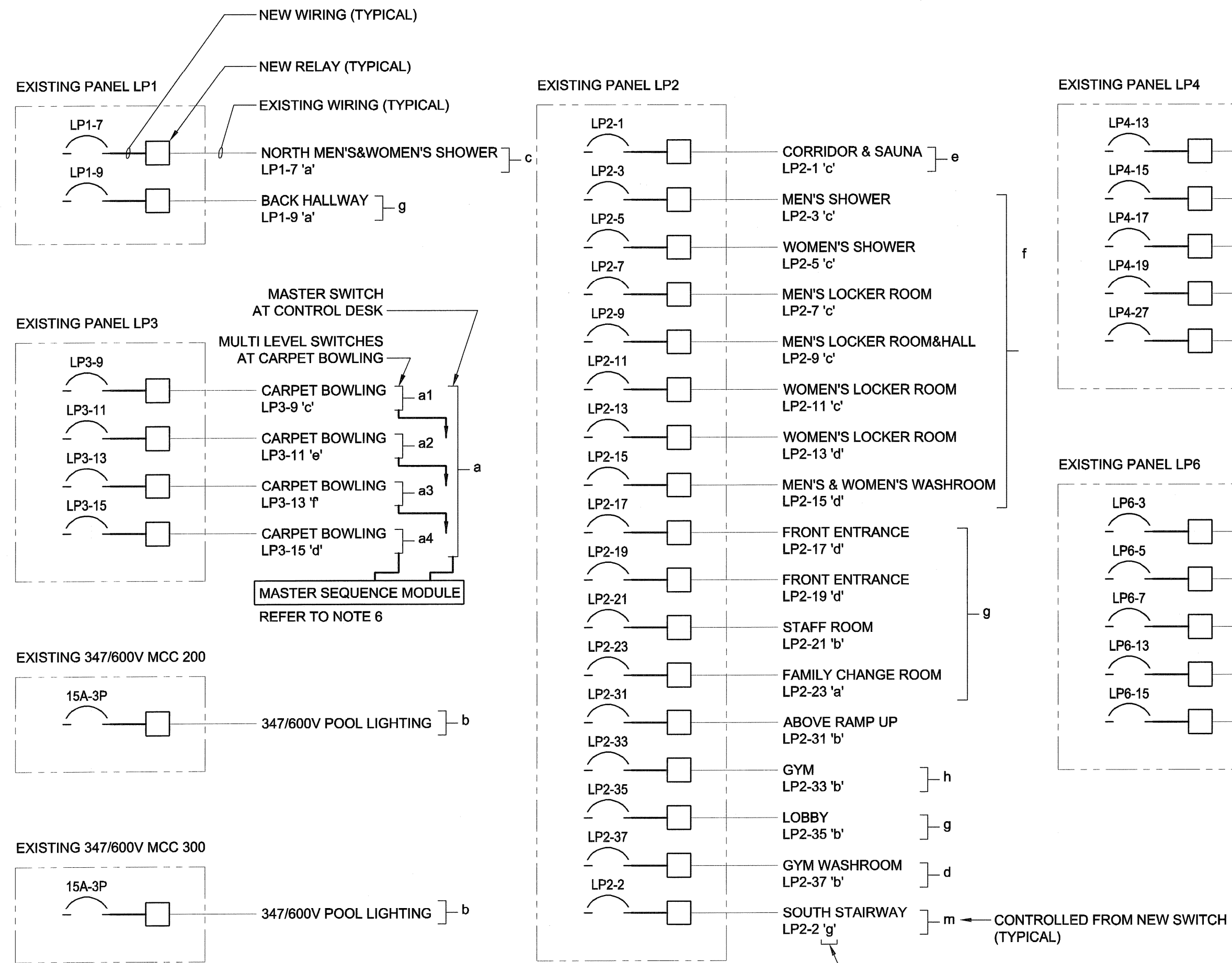


EXISTING RELAYS AND L.V. WIRING TO BE REMOVED. REFER TO NOTE 1 (TYPICAL)

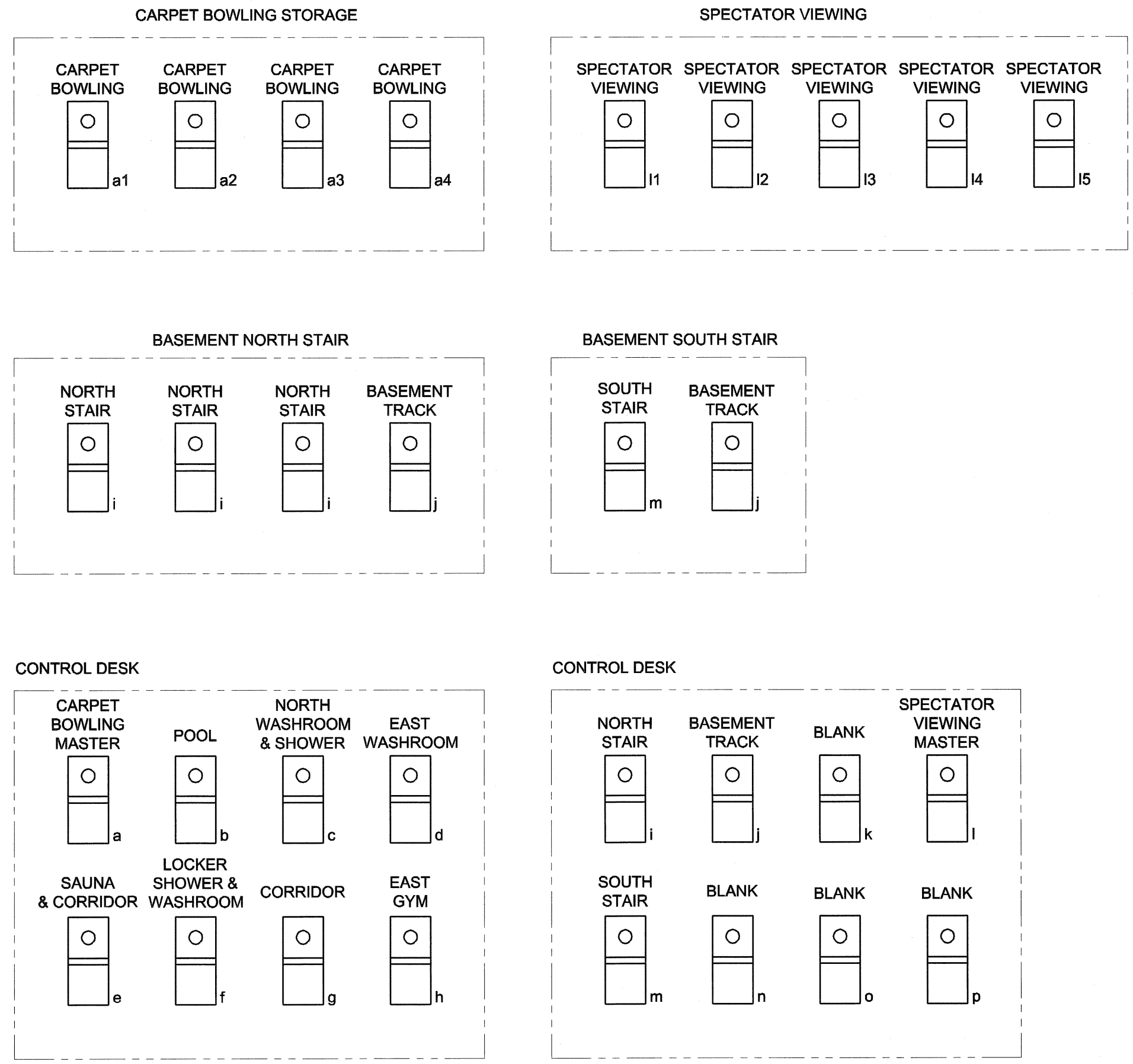
- NOTES:**
- EXISTING G.E. L.V. LIGHTING CONTROL SYSTEM IS NON FUNCTIONAL AND REQUIRES REFURBISHMENT. REMOVE ALL EXISTING L.V. LIGHTING CONTROL SWITCHES, WIRING AND RELAYS AND REPLACE WITH NEW. PROVIDE NEW SWITCH FUNCTIONALITY AS SHOWN.
 - DESIGN IS BASED ON G.E. SYSTEM. APPROVED MANUFACTURERS:
 --- G.E. TOTAL LIGHTING CONTROL
 --- WATT STOPPER
 --- DOUGLAS
 CONTACT PETER STOKES OF CONTEMPORARY LIGHTING (TEL: 633-2225) FOR G.E. L.V. CONTROL.
 - CIRCUITS IN EXISTING AREAS (PANELS) ARE SHOWN TO ILLUSTRATE SCOPE OF WORK ONLY. CONFIRM LIGHTING IN AREAS INDICATED IS FED FROM CIRCUIT SHOWN. PROVIDE LISTING OF RESULTS OF INVESTIGATION INTO CIRCUITING TO ENGINEER.
 - ALLOW FOR AN ADDITIONAL 5 RELAYS/CIRCUITS PER PANEL.
 - NEW SWITCH DESIGNATIONS DO NOT MATCH EXISTING SWITCH DESIGNATIONS FROM EXISTING 1977 AS-BUILT DRAWINGS DUE TO INCONSISTENCY IN 1977 NAMING CONVENTION. 1977 AS-BUILT DRAWINGS ARE AVAILABLE IF REQUESTED.
 - PROVIDE MASTER SEQUENCE MODULE SO THAT SWITCH AT CONTROL DESK TURNS OFF ALL LIGHTS (AND ASSOCIATED MULTI LEVEL SWITCHES) IN AREA(S) INDICATED.
 - REMOVED EXISTING LINE VOLTAGE SWITCHES FOR SPECTATOR VIEWING, PROVIDE NEW LOW VOLTAGE SWITCHES.

TYPICAL SINGLE SWITCH/SINGLE BREAKER WIRING

TYPICAL EXISTING PANEL WIRING



RELAY ZONING



SWITCH BLOCK DIAGRAM

DETAIL 1
 SCALE: N.T.S.
 EXISTING LOW VOLTAGE LIGHTING CONTROL UPGRADE

UMA | AECOM
 © 2007 UMA ENGINEERING LTD. ALL RIGHTS RESERVED.

APCCM
 Certificate of Authorization
 UMA Engineering Ltd. (MB)
 No. 256 Date: Jul 23, 2007

DRN	CHK	DES	ENG	IDR

UMA AECOM REVIEW

NO.	REVISION/DESCRIPTION	BY	DATE
0	ISSUED FOR TENDER	QL	07/07/23

SEALS

PROVINCE OF MANITOBA
 S. K. SMART
 Member
 20996
 JUL 23, 2007
 REGISTERED PROFESSIONAL ENGINEER

DRAWN BY: QL
 CHECKED BY: USER
 APPROVED: [Signature]

DATE: 2007.02.21

CITY OF WINNIPEG
 PLANNING, PROPERTY & DEVELOPMENT DEPARTMENT
 CIVIC ACCOMMODATIONS DIVISION
 300 - 65 GARRY ST. R3C 4K4

PROJECT
Construction of Cindy Klassen Recreation Complex Facility Enhancement Project
 999 Sargent St. Winnipeg, Manitoba

SHEET TITLE
 Electrical Details

SCALE N.T.S.	PROJECT NO. 2005-059	SHEET NO. E7.4
-----------------	-------------------------	-------------------

DRAWING SHEET SIZE: A1 (841mm x 594mm) PLOT 1:1