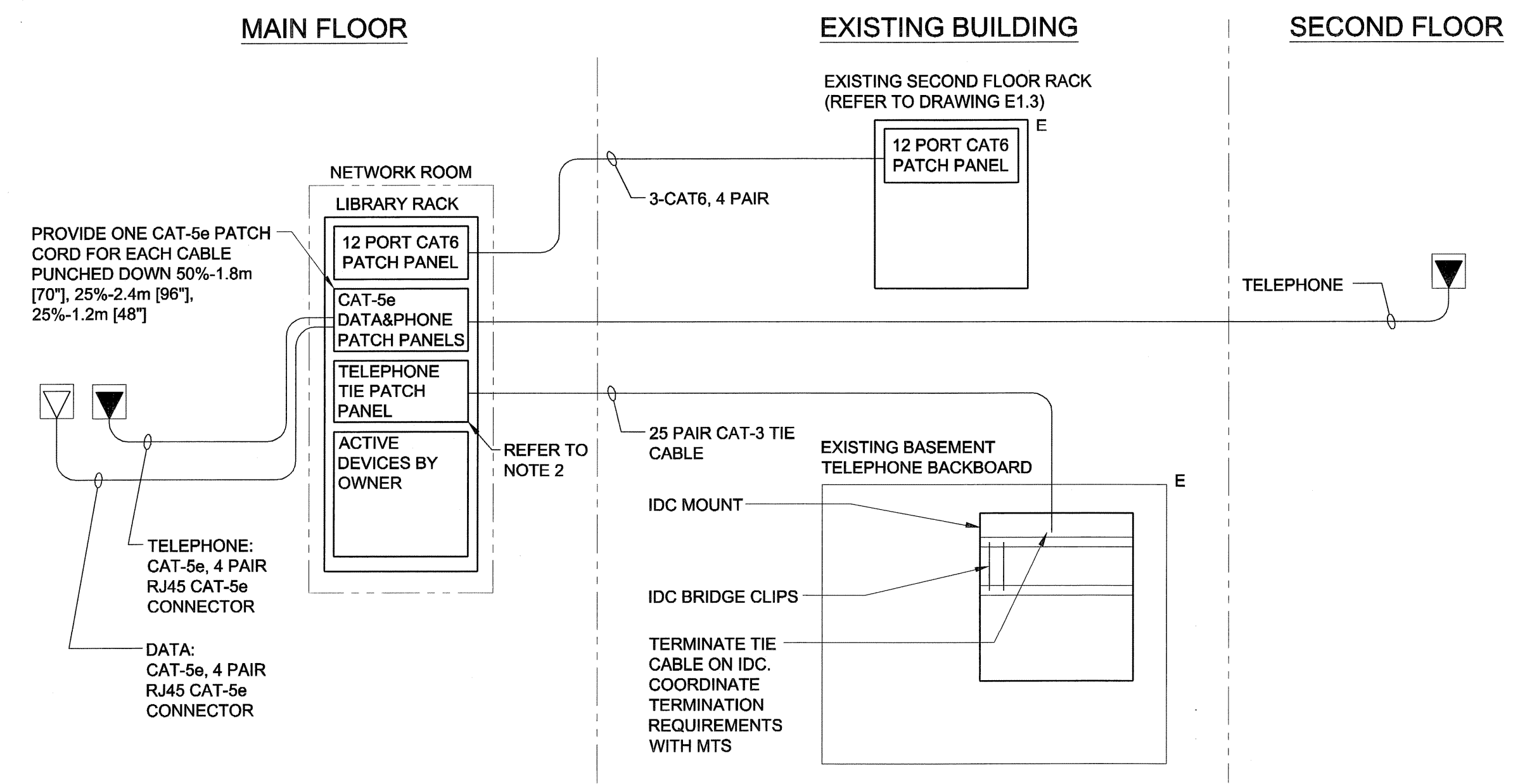
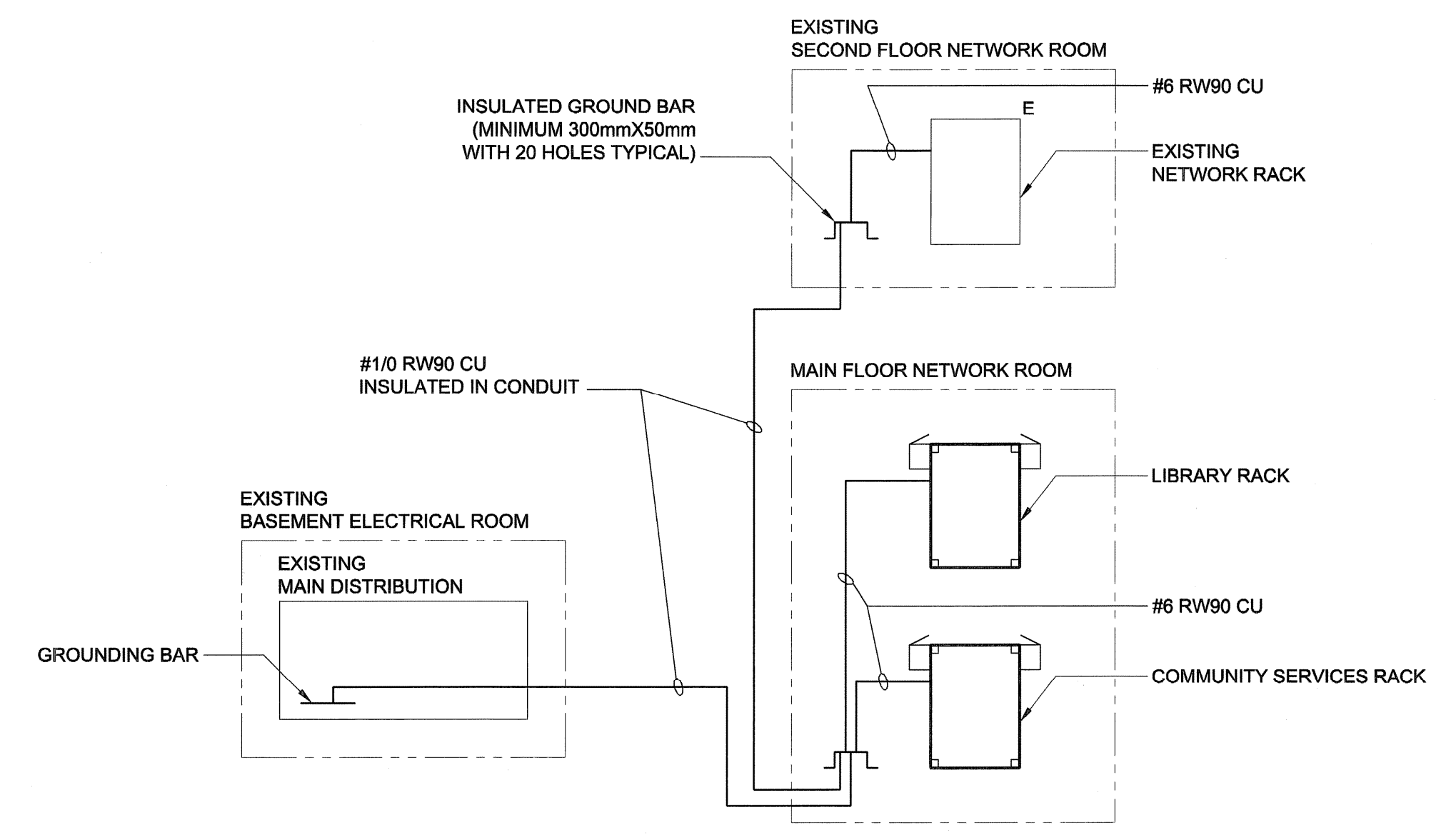


FILE NAME: F933-001-01_01-E-7002-RV.dwg
 DATE: 2007.02.21
 DESCRIPTION: Second Floor Demolition
 PROJECT No: F933-001-01
 PLOT: 07/07/200 2:28:10 PM
 ADDRESS: 989 Sargent St. Winnipeg, Manitoba
 UMA FILE NAME: F933-001-01_01-E-7002-RV.dwg

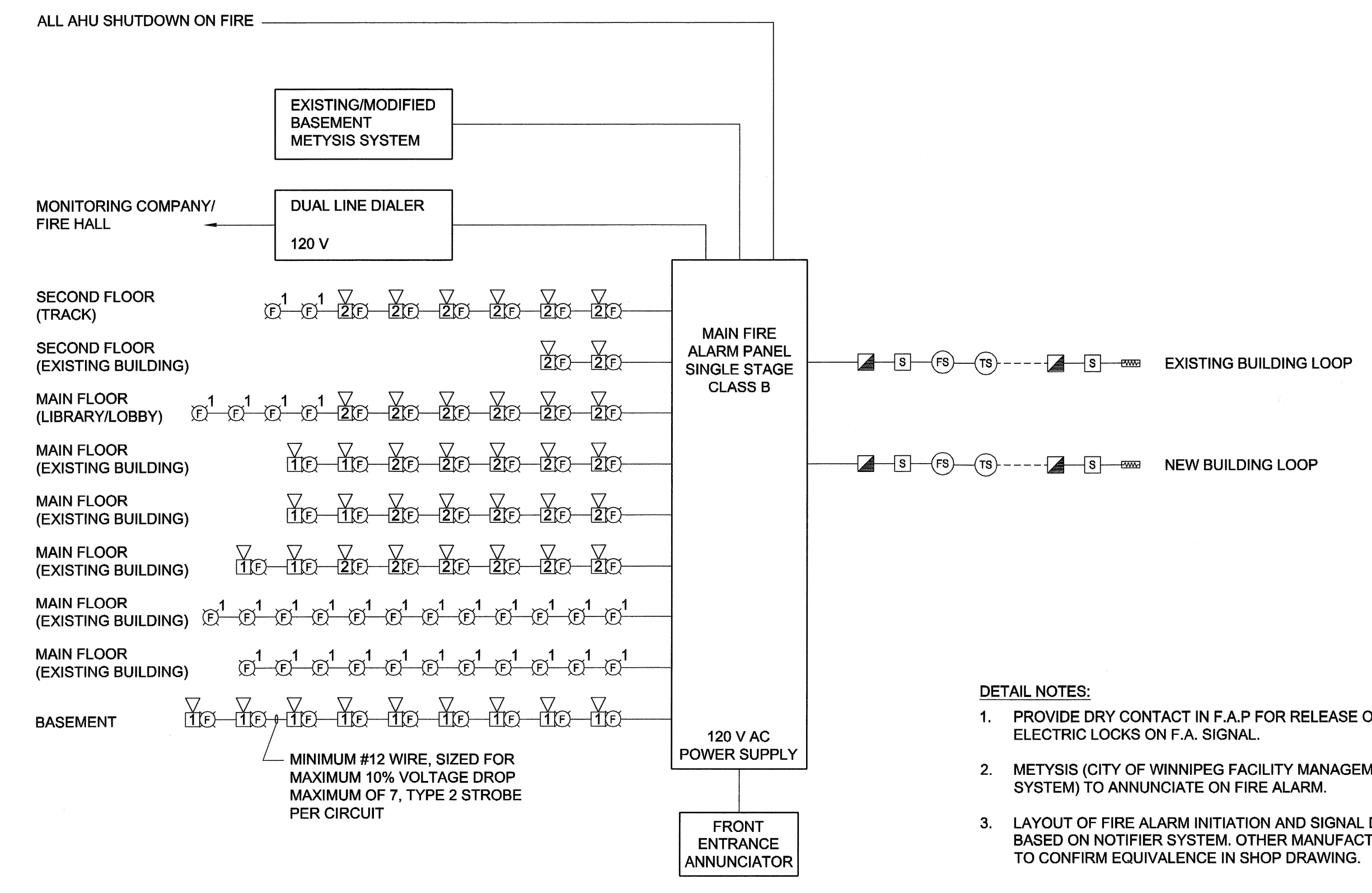


- DETAIL NOTES:**
1. PROVIDE CABLE MARKERS AT BOTH ENDS OF CABLES. PROVIDE LABELS ON FACEPLATE ADJACENT TO OUTLETS. LABELLING SCHEME TO BE IN ACCORDANCE WITH EIA/TIA STANDARDS.
 2. OWNER TO CONFIRM NUMBER OF DUAL LINE (DUAL PAIR) OUTLETS PUNCH DOWN.

DETAIL 1
 SCALE: N.T.S.
 TELEPHONE AND COMPUTER NETWORK CONNECTION DIAGRAM



DETAIL 2
 SCALE: N.T.S.
 TELECOMMUNICATIONS GROUNDING SYSTEM



- DETAIL NOTES:**
1. PROVIDE DRY CONTACT IN F.A.P FOR RELEASE OF ELECTRIC LOCKS ON F.A. SIGNAL.
 2. METYSIS (CITY OF WINNIPEG FACILITY MANAGEMENT SYSTEM) TO ANNUNCIATE ON FIRE ALARM.
 3. LAYOUT OF FIRE ALARM INITIATION AND SIGNAL DEVICES BASED ON NOTIFIER SYSTEM. OTHER MANUFACTURERS TO CONFIRM EQUIVALENCE IN SHOP DRAWING.

DETAIL 3
 SCALE: N.T.S.
 FIRE ALARM SCHEMATIC

UMA | AECOM

© 2007 UMA ENGINEERING LTD. ALL RIGHTS RESERVED.

APEGM
 Certificate of Authorization
 UMA Engineering Ltd. (MB)
 No. 256 Date: *Jul 23 2007*

<i>[Signature]</i>	DRN	CHK	DES	ENG	IDR
UMA AECOM REVIEW					

NO.	REVISION/DESCRIPTION	BY	DATE
0	ISSUED FOR TENDER	QL	07/07/23

SEALS

PROVINCE OF MANITOBA
 REGISTERED PROFESSIONAL ENGINEER
 SMART Member
 20996
[Signature]
 07/23/2007

DRAWN BY: QL
 CHECKED BY: USER
 APPROVED: APPROVED

DATE: 2007.02.21

CITY OF WINNIPEG
 PLANNING, PROPERTY & DEVELOPMENT DEPARTMENT
 CIVIC ACCOMMODATIONS DIVISION
 300 - 65 GARRY ST. R3C 4K4

PROJECT
 Construction of Cindy Klassen
 Recreation Complex Facility
 Enhancement Project
 999 Sargent St. Winnipeg, Manitoba

SHEET TITLE
 Electrical
 Details

SCALE N.T.S.	PROJECT NO. 2005-059	SHEET NO. E7.2
-----------------	-------------------------	-------------------

DRAWING SHEET SIZE: A1 (841mm x 594mm) PLOT 1:1