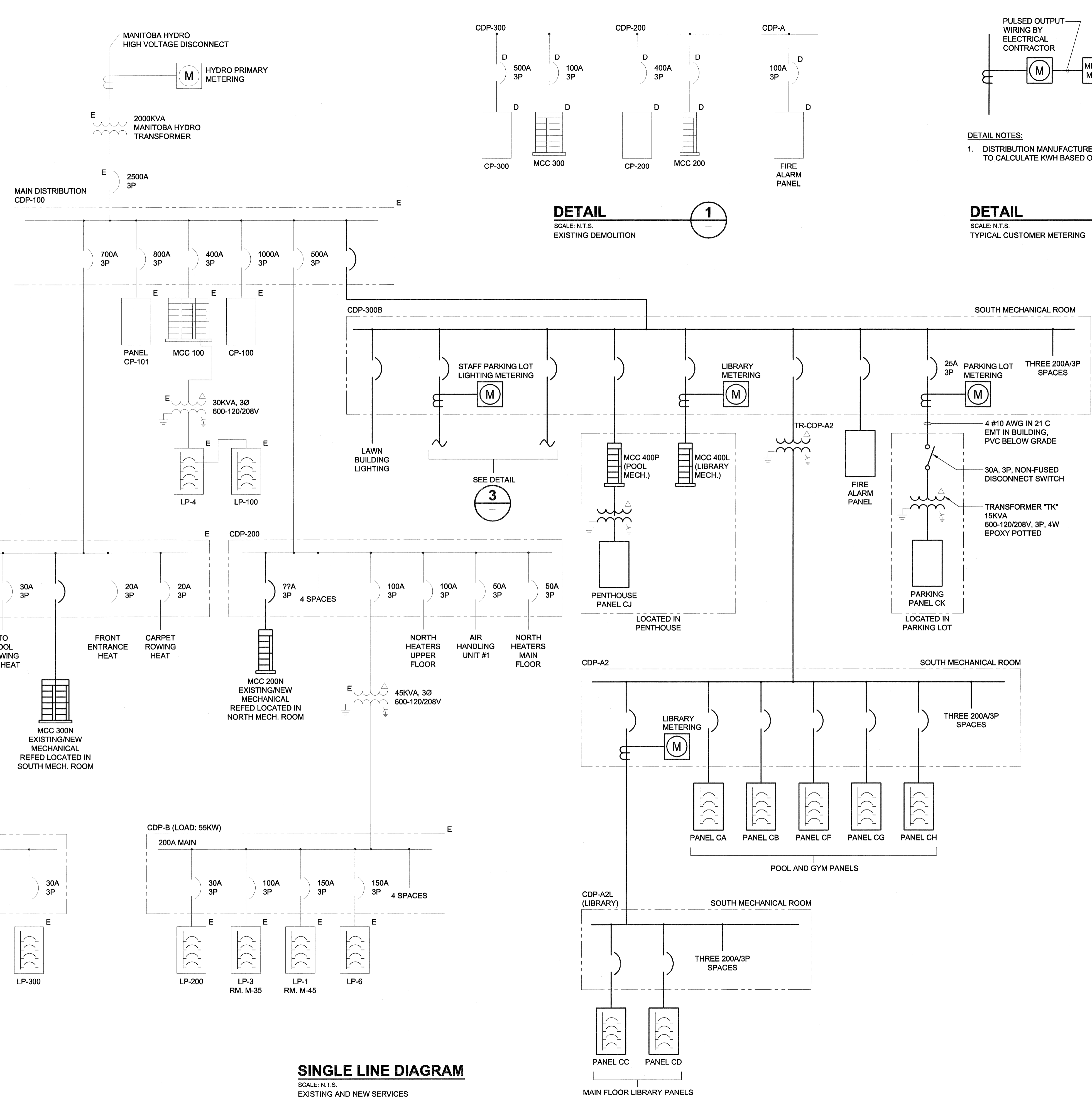


UMA FILE NAME: F833-001-01_01-E-7001_RV.dwg
 DATE: 2007.02.21
 DESCRIPTION: Second Floor Demolition
 PROJECT No: F833-001-01
 ADDRESS: 999 Sargent St. Winnipeg, Manitoba
 PLOT: 07/07/2007 3:10:38 PM
 ADDRESS: 999 Sargent St. Winnipeg, Manitoba

NOTES:
 1. AT END OF PROJECT RENAME MCC 300N TO MCC300 AND MCC200N TO MCC200.

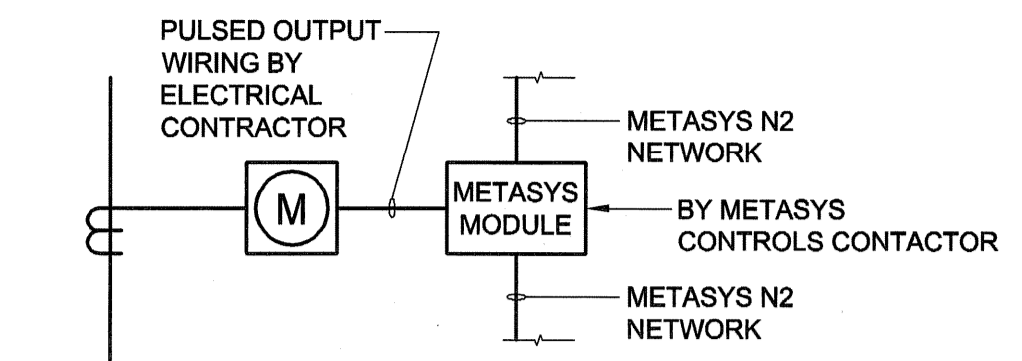


DETAIL 1
 SCALE: N.T.S.
 EXISTING DEMOLITION

DETAIL 2
 SCALE: N.T.S.
 TYPICAL CUSTOMER METERING

DETAIL 3
 SCALE: N.T.S.
 PARKING LOT LIGHTING CONTROL

SINGLE LINE DIAGRAM
 SCALE: N.T.S.
 EXISTING AND NEW SERVICES



DETAIL NOTES:
 1. DISTRIBUTION MANUFACTURER TO ADVISE CITY OF WINNIPEG TO CALCULATE KWH BASED ON METER PULSE.

UMA | AECOM
 © 2007 UMA ENGINEERING LTD. ALL RIGHTS RESERVED.

APEGM
 Certificate of Authorization
 UMA Engineering Ltd. (MB)
 No. 256 Date: 1/23/2007

DRN	CHK	DES	ENG	IDR

UMA | AECOM REVIEW

NO.	REVISION/DESCRIPTION	BY	DATE
0	ISSUED FOR TENDER	QL	07/07/23

SEALS

DRAWN BY: []
 CHECKED BY: []
 APPROVED: []
 DATE: 2007.02.21 USER APPROVAL

CITY OF WINNIPEG
 PLANNING, PROPERTY & DEVELOPMENT DEPARTMENT
 CIVIC ACCOMMODATIONS DIVISION
 300 - 65 GARRY ST. R3C 4K4

PROJECT
Construction of Cindy Klassen Recreation Complex Facility Enhancement Project
 999 Sargent St. Winnipeg, Manitoba

SHEET TITLE
 Electrical
 Single Line Diagram
 Demolition and Existing Services

SCALE: N.T.S. PROJECT NO: 2005-059 SHEET NO: E7.1

DRAWING SHEET SIZE: A1 (841mm x 594mm) PLOT 1:1