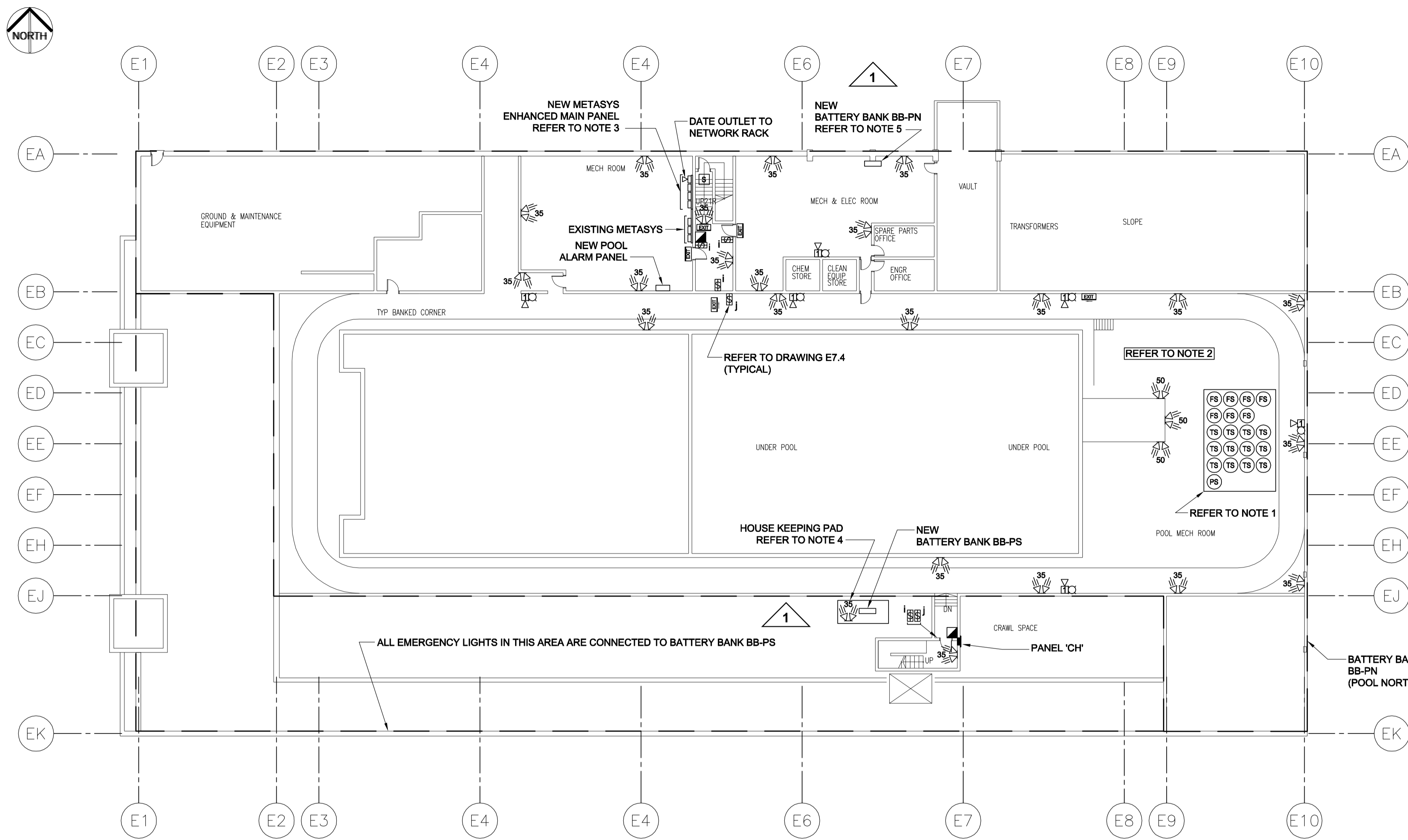
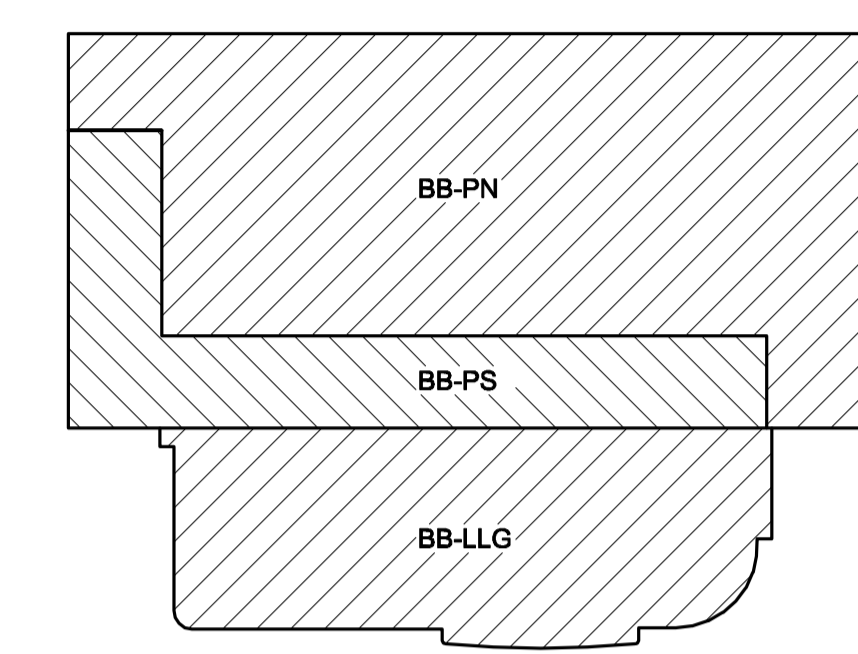


UMA FILE NAME: F993-001-01_01-E-2007_RX.dwg
 DATE: 2007.02.21
 DESCRIPTION: Site Plan
 PROJECT No.: F993-001-01
 PLOT: 07/08/07 2:11:19 PM
 ADDRESS: 999 Sargent St. Winnipeg, Manitoba



PLAN
 SCALE: 1:200
 BASEMENT
 LIFE SAFETY AND SYSTEMS

- NOTES:**
- CONFIRM NUMBER AND LOCATION OF SPRINKLER FLOW, PRESSURE AND TAMPER SWITCHES.
 - COORDINATE LAYOUT WITH POOL EQUIPMENT.
 - METASYS ENHANCED MAIN PANEL AND BACKBOARD BY CONTROLS CONTRACTORS. PROVIDE TWO 15A-1P DEDICATED CIRCUITS FROM LOCAL PANELBOARDS.
 - PROVIDE A 2900x2400 (9.5'x8') HOUSE KEEPING PAD, 150 (6") THICK WITH 10M @ 400 OC REINFORCEMENT TOP AND BOTTOM. EXCAVATE AREA FOR PAD LEVEL.
 - CONNECT TO 600V SPACE IN CLOSEST 600V PANEL WITH 15A-2P BREAKER.



DETAIL

SCALE: N.T.S.
 CRAWL SPACE/BASEMENT AREAS SERVED BY BATTERY BANKS

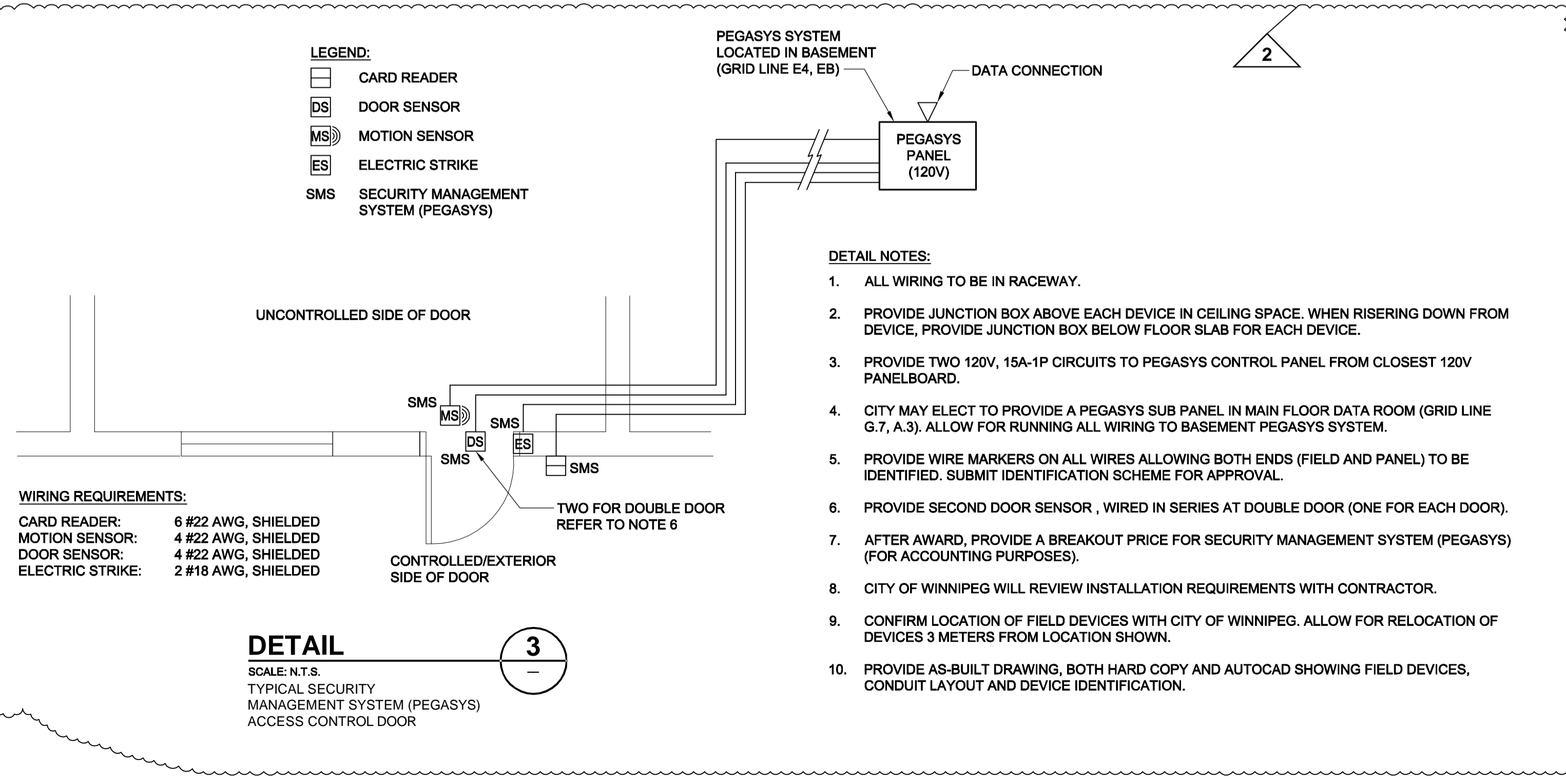
UMA | AECOM
 © 2007 UMA ENGINEERING LTD. ALL RIGHTS RESERVED.

APEGM
 Certificate of Authorization
 UMA Engineering Ltd. (MB)
 No. 256 Date: _____

DRN	CHK	DES	ENG	IDR

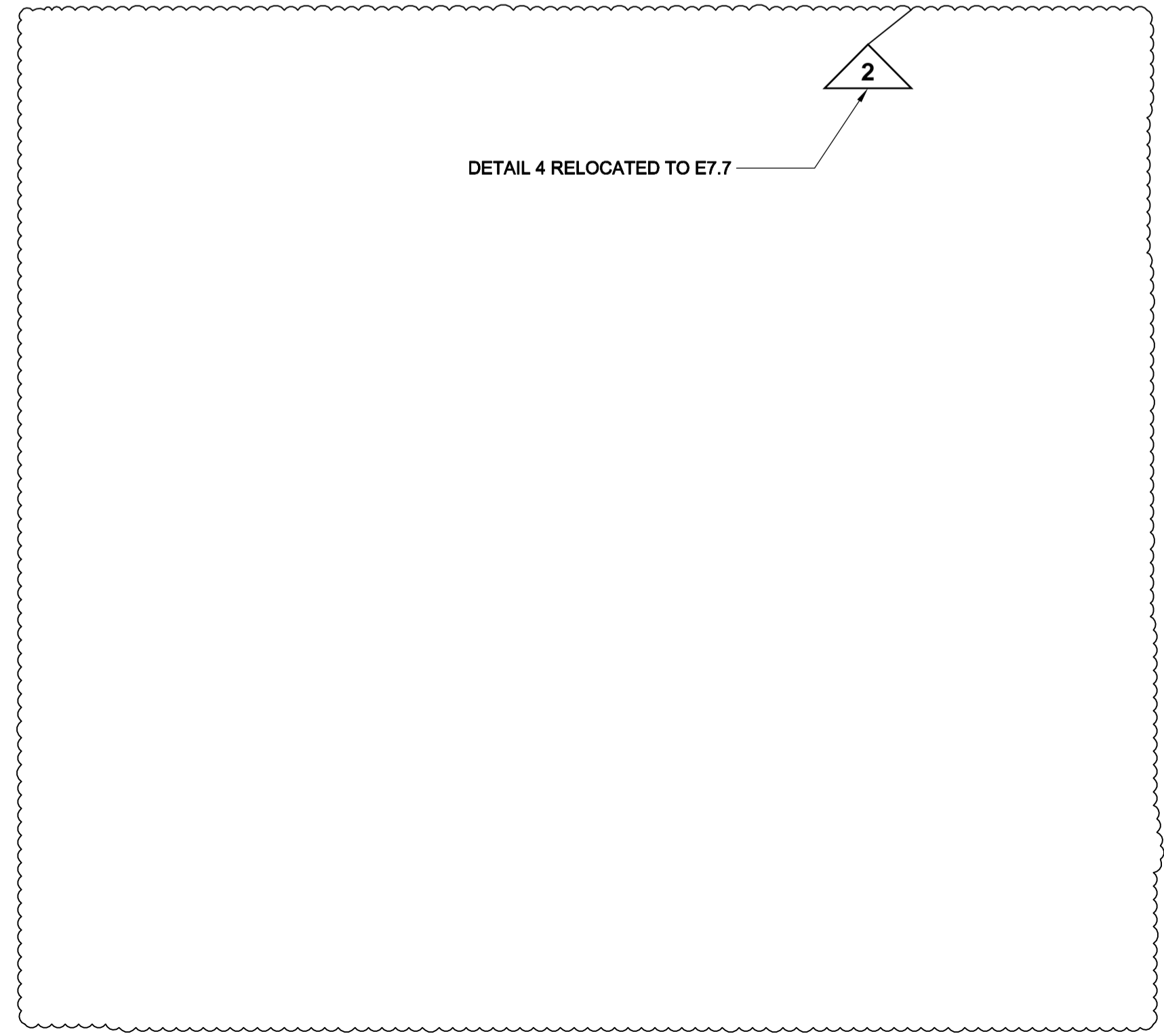
UMA | AECOM REVIEW

NO.	REVISION/DESCRIPTION	BY	DATE
2	ISSUED FOR ADDENDUM #4	QL	07/08/30
1	ISSUED FOR ADDENDUM #2	QL	07/08/21
0	ISSUED FOR TENDER	QL	07/07/23



DETAIL

SCALE: N.T.S.
 TYPICAL SECURITY MANAGEMENT SYSTEM (PEGASYS) ACCESS CONTROL DOOR



SEALS

PROVINCE OF MANITOBA
 S. K. SMART
 Member
 20996
 REGISTERED PROFESSIONAL ENGINEER

DRAWN BY: QL
 CHECKED BY: USER
 DATE: 2007.02.21
 APPROVED

CITY OF WINNIPEG
 PLANNING, PROPERTY & DEVELOPMENT DEPARTMENT
 CIVIC ACCOMMODATIONS DIVISION
 300 - 65 GARRY ST. R3C 4K4

PROJECT
 Construction of Cindy Klassen
 Recreation Complex Facility
 Enhancement Project
 999 Sargent St. Winnipeg, Manitoba

SHEET TITLE
 Electrical
 Basement
 Life Safety and Systems

SCALE: 1:200
 PROJECT NO.: 2005-059
 SHEET NO.: E2.7