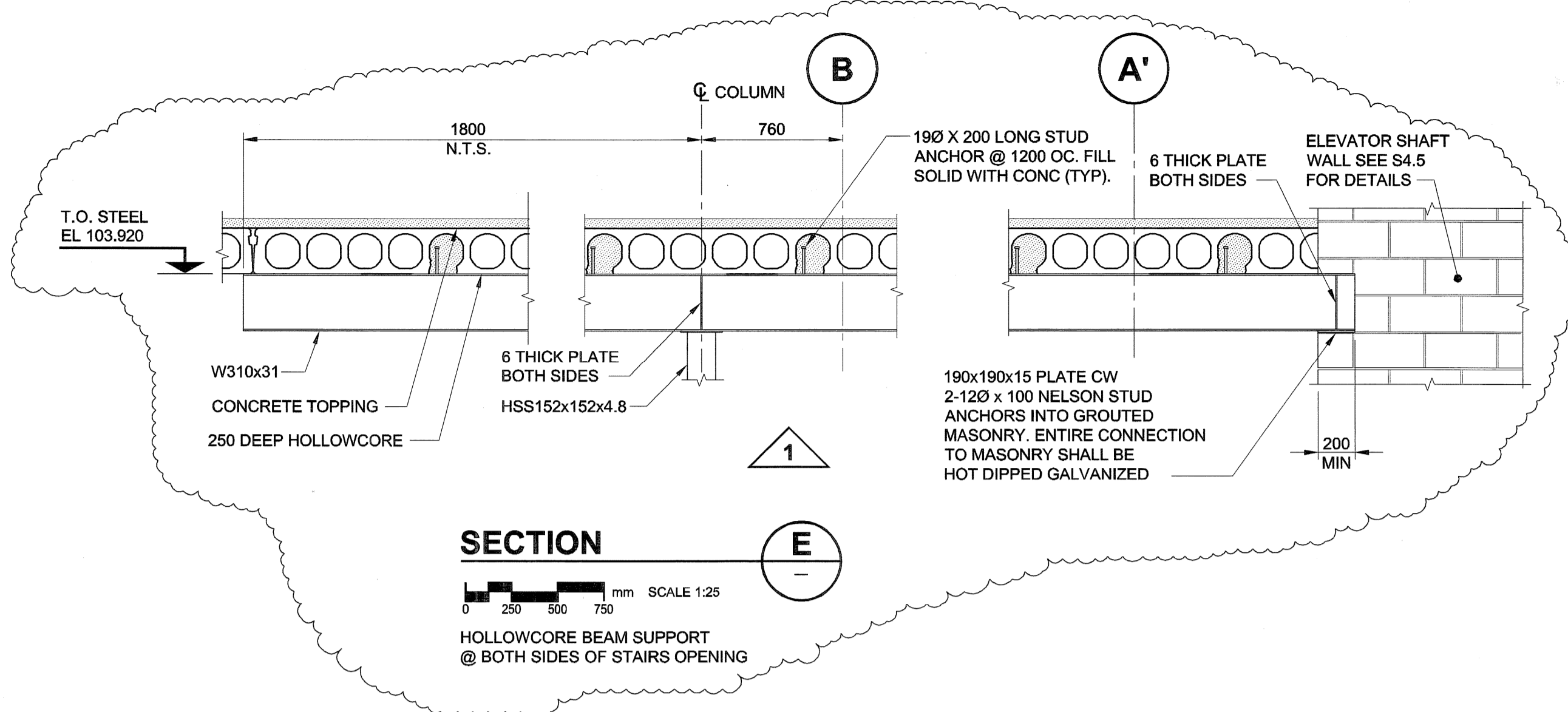
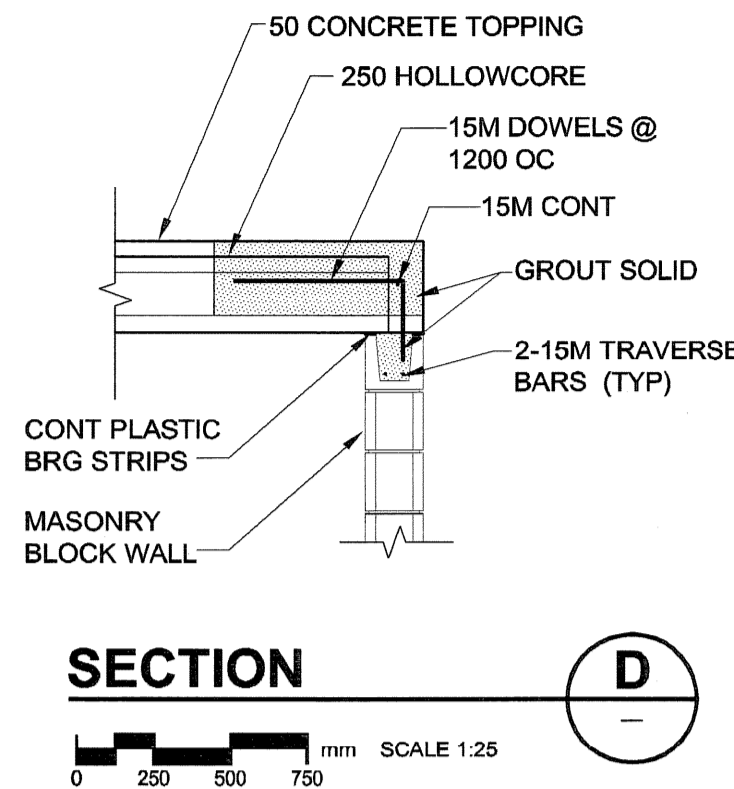
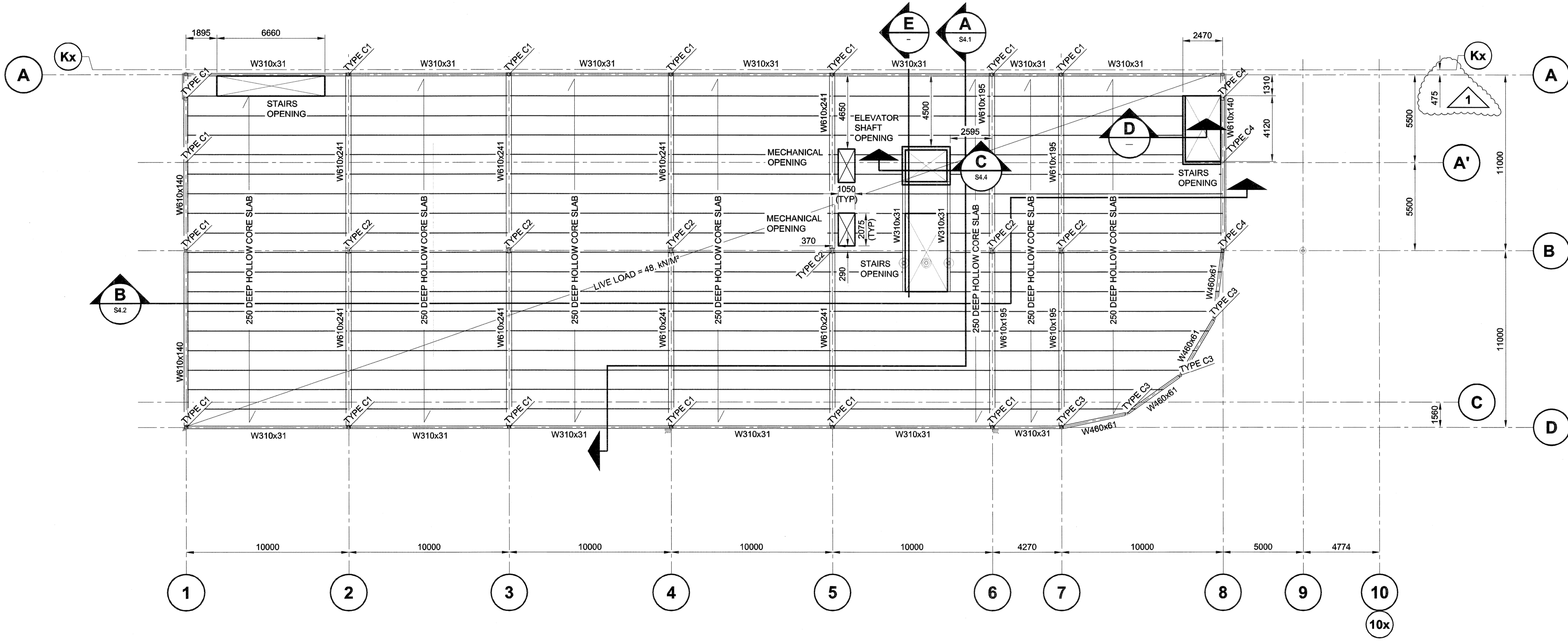


UMA FILE NAME: F953-001-01\_11-S-2004\_RX.dwg  
 DATE: 2007.07.23  
 DESCRIPTION: Second Floor Framing Plan  
 PROJECT No: F953-001-01  
 ADDRESS: 999 Sargent St. Winnipeg, Manitoba  
 PLOT: 07/08/10.32331 PM  
 FILE NAME: F953-001-01\_11-S-2004\_RX.dwg



**NOTE:**  
 USE HOLLOWCORE HANGER FOR STAIRS AND MECHANICAL OPENINGS.  
 HOLLOWCORE SUPPLIER TO DETERMINE HOLLOWCORE HANGER MEMBER SIZE AT OPENINGS.  
 SEE ARCHITECTURAL TO LOCATE MECHANICAL AND STAIR OPENINGS AND DIMENSIONS.



**SECOND FLOOR FRAMING PLAN**  
 SCALE 1:150

**DESIGN LOADS:**  
 LIVE LOAD = 4.8 kN/m²  
 DEAD LOAD = 6.7 kN/m²  
 TOTAL LOAD = 11.5 kN/m²

**UMA | AECOM**  
 © 2007 UMA ENGINEERING LTD. ALL RIGHTS RESERVED.

**APEGM**  
 Certificate of Authorization  
 UMA Engineering Ltd. (MB)  
 No. 256 Date: Aug 10, 2007

*[Signature]*  
 DRN CHK DES ENG IDR  
 UMA | AECOM REVIEW

NO.	REVISION/DESCRIPTION	BY	DATE
1	ISSUED FOR ADDENDUM #1	MP	07/08/10
0	ISSUED FOR TENDER	MP	07/07/23

**SEALS**

*[Professional Engineer Seal]*  
 B.L. LAU  
 REGISTERED PROFESSIONAL ENGINEER

DRAWN BY: MP  
 CHECKED BY: USER APPROVAL  
 DATE: 2007.02.21

**CITY OF WINNIPEG**  
 PLANNING, PROPERTY & DEVELOPMENT DEPARTMENT  
 CIVIC ACCOMMODATIONS DIVISION  
 300 - 65 GARRY ST. R3C 4K4

PROJECT: Construction of Cindy Klassen Recreation Complex Facility Enhancement Project  
 999 Sargent St. Winnipeg, Manitoba

SHEET TITLE: Structural Second Floor Framing Plan and Layout

SCALE: AS NOTED  
 PROJECT NO.: 2005-059  
 SHEET NO.: S2.4

DRAWING SHEET SIZE: A1 (841mm x 594mm) PLOT 1:1