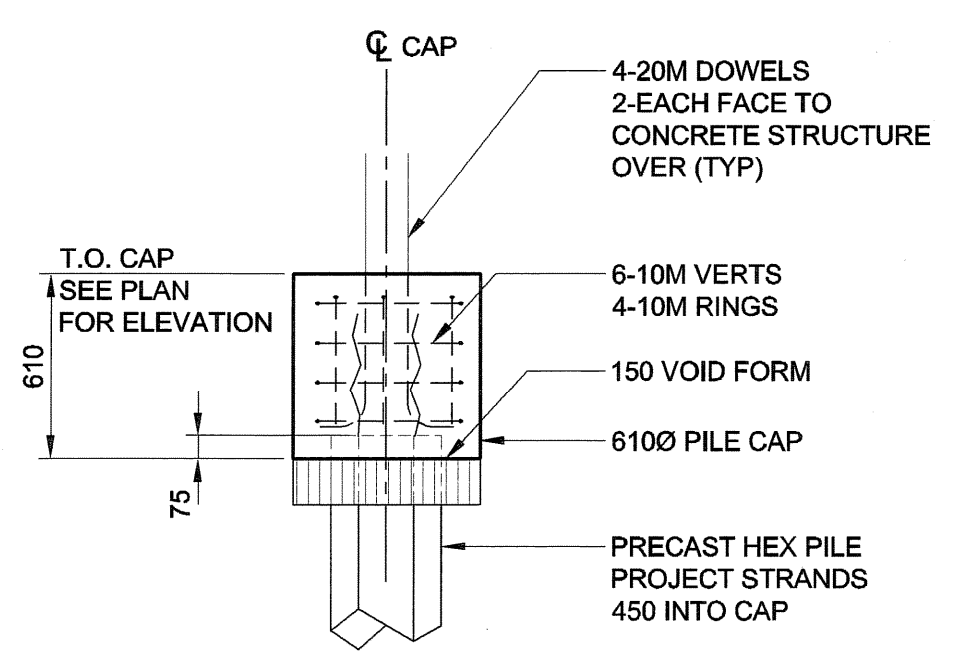
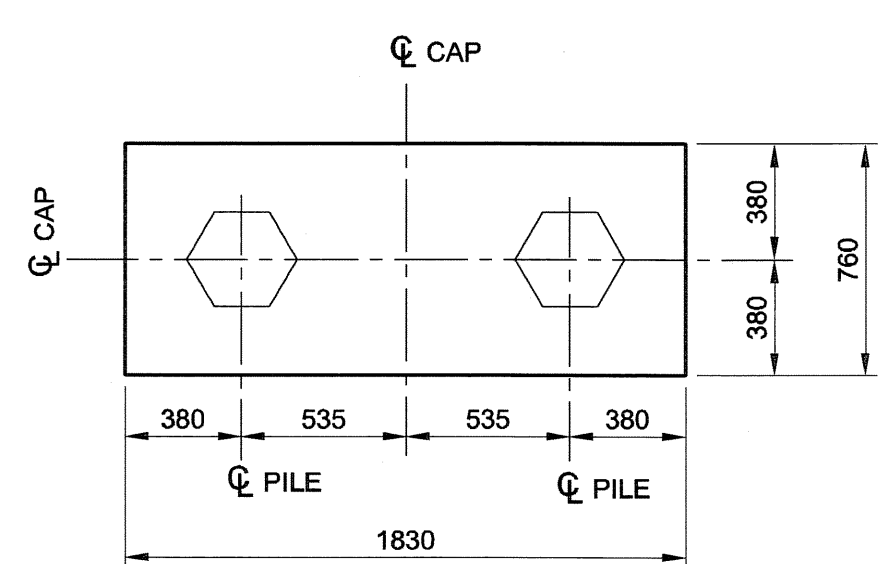


FILE NAME: F953-001-01_14-S-2001_RX.dwg
 DATE: 2007.07.23
 DESCRIPTION: Pile Layout
 PROJECT No: F953-001-01
 ADDRESS: 999 Sargent St. Winnipeg, Manitoba
 PLOT: 07/08/10 1:03:08 PM
 UMA FILE NAME: F953-001-01_14-S-2001_RX.dwg



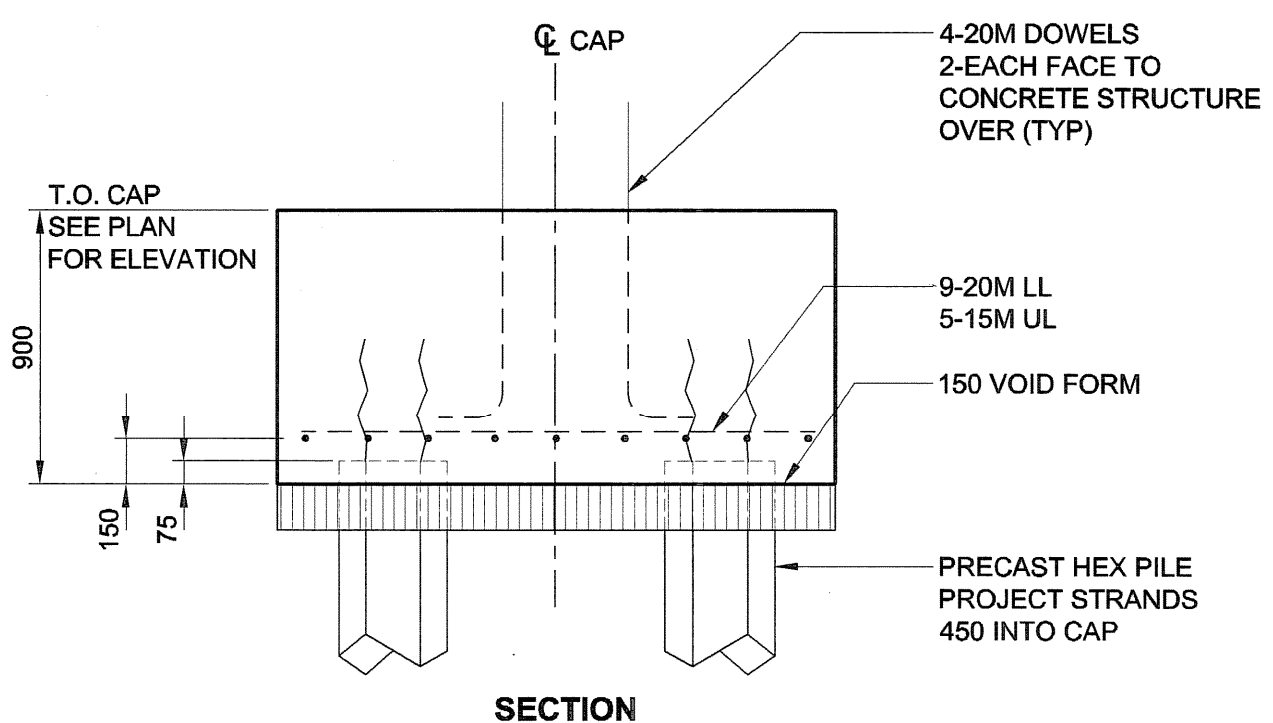
SINGLE PILE CAP

0 250 500 750 mm SCALE 1:25
 TYPICAL REINFORCING DETAIL



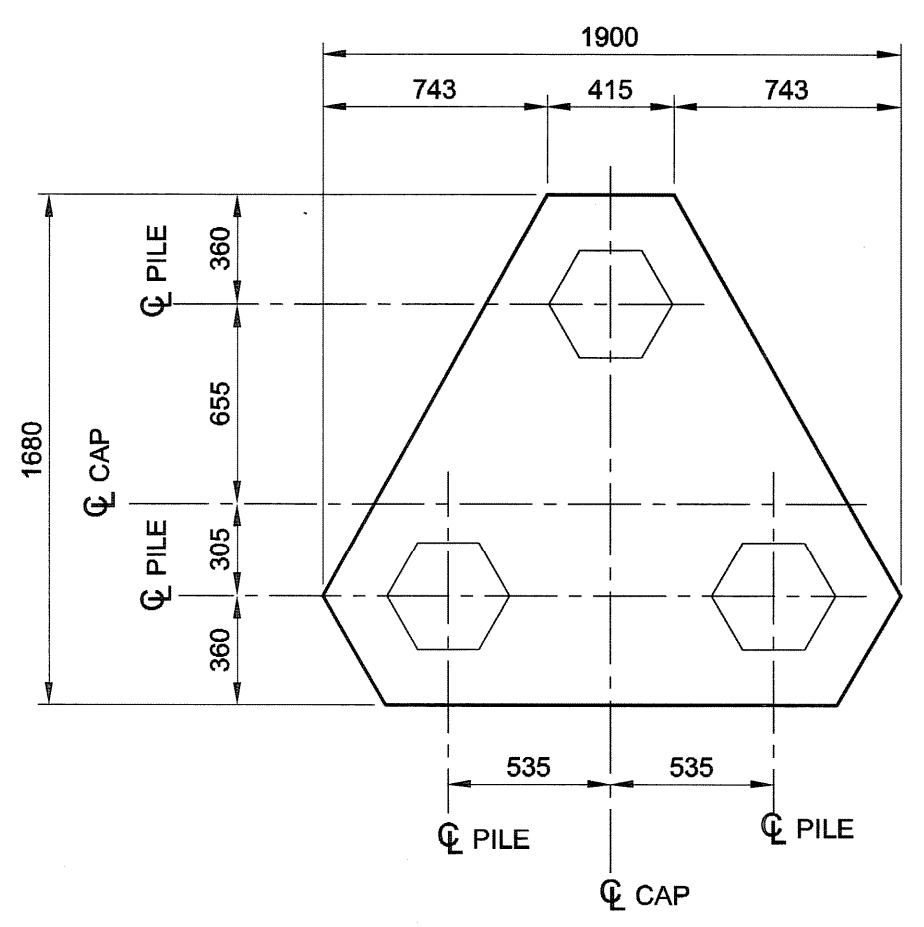
DOUBLE PILE CAP PLAN

0 250 500 750 mm SCALE 1:25
 TYPICAL REINFORCING DETAIL



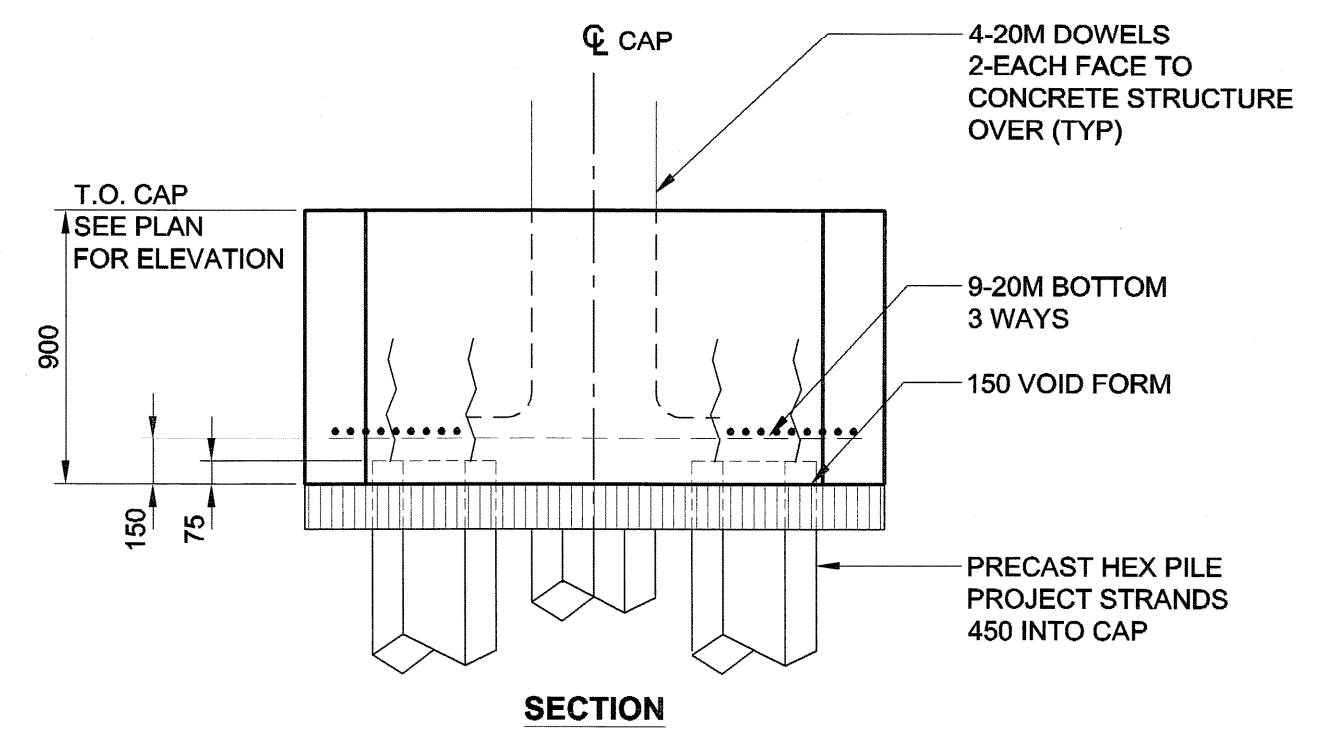
DOUBLE PILE CAP

0 250 500 750 mm SCALE 1:25
 TYPICAL REINFORCING DETAIL



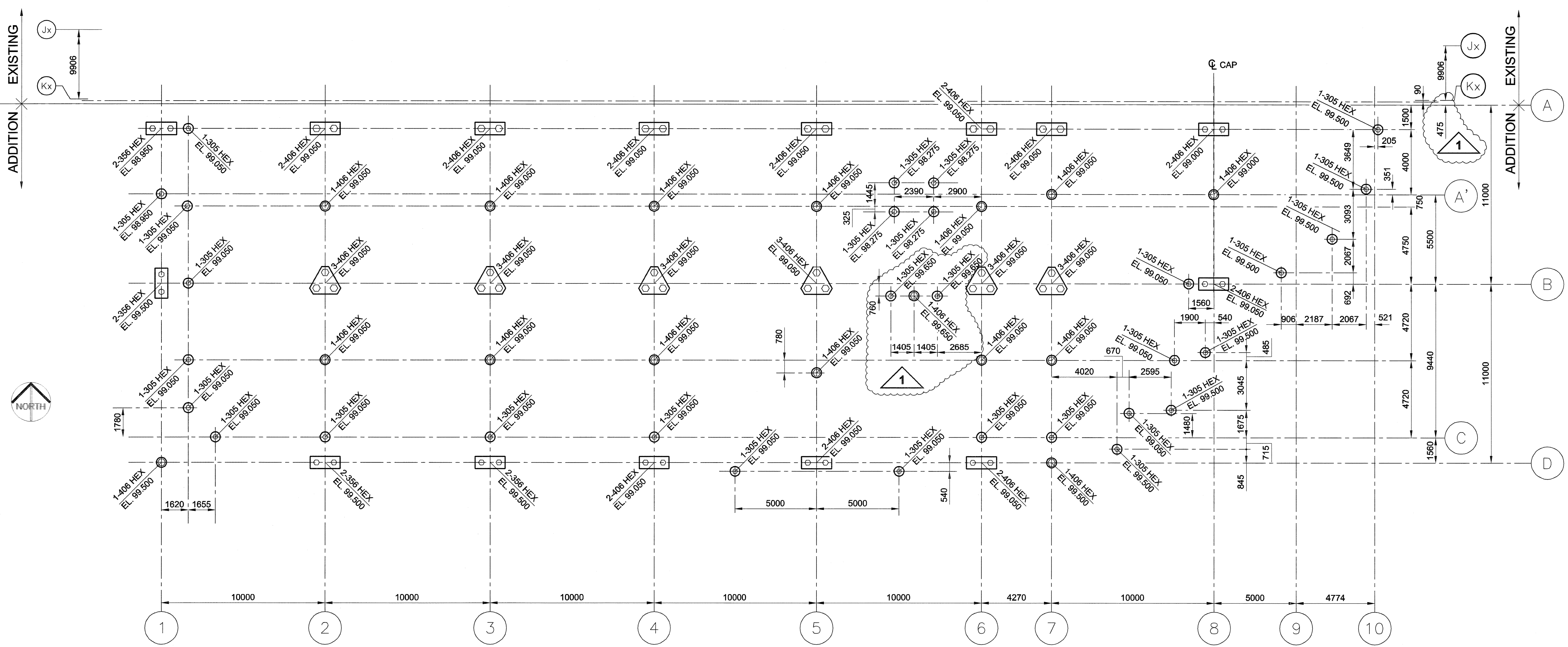
TRIPLE PILE CAP PLAN

0 250 500 750 mm SCALE 1:25
 TYPICAL REINFORCING DETAIL



TRIPLE PILE CAP

0 250 500 750 mm SCALE 1:25
 TYPICAL REINFORCING DETAIL



PILE LAYOUT

0 1500 3000 4500 mm SCALE 1:150

NOTE:
 ALL PILES TO BE PRECAST DRIVEN PILES UNLESS NOTED OTHERWISE
 ELEVATIONS INDICATED ARE TOP OF CAP UNLESS NOTED OTHERWISE
 ELEVATION TOP OF PILE CAP = 99.050 UNLESS NOTED OTHERWISE
 PREBORE PILES A MINIMUM OF 3000MM FROM EXISTING GRADE AS PER GEOTECHNICAL REPORT.

UMA | AECOM
 © 2007 UMA ENGINEERING LTD. ALL RIGHTS RESERVED.

APEGM
 Certificate of Authorization
 UMA Engineering Ltd. (MB)
 No. 256 Date: Aug 10, 2007

UMA AECOM REVIEW
 DRN CHK DES ENG IDR

1	ISSUED FOR ADDENDUM #1	MP	07/08/10
0	ISSUED FOR TENDER	MP	07/07/23

NO. REVISION/DESCRIPTION BY DATE

SEALS

DRAWN BY: MP CHECKED BY: USER APPROVAL APPROVED
 DATE: 2007.02.21

CITY OF WINNIPEG
 PLANNING, PROPERTY & DEVELOPMENT DEPARTMENT
 CIVIC ACCOMMODATIONS DIVISION
 300 - 65 GARRY ST. R3C 4K4

PROJECT
 Construction of Cindy Klassen Recreation Complex Facility Enhancement Project
 999 Sargent St. Winnipeg, Manitoba

SHEET TITLE
 Structural Pile Layout Foundation Plan

SCALE AS NOTED	PROJECT NO. 2005-059	SHEET NO. S2.1
----------------	----------------------	----------------

DRAWING SHEET SIZE: A1 (841mm x 594mm) PLOT 1:1