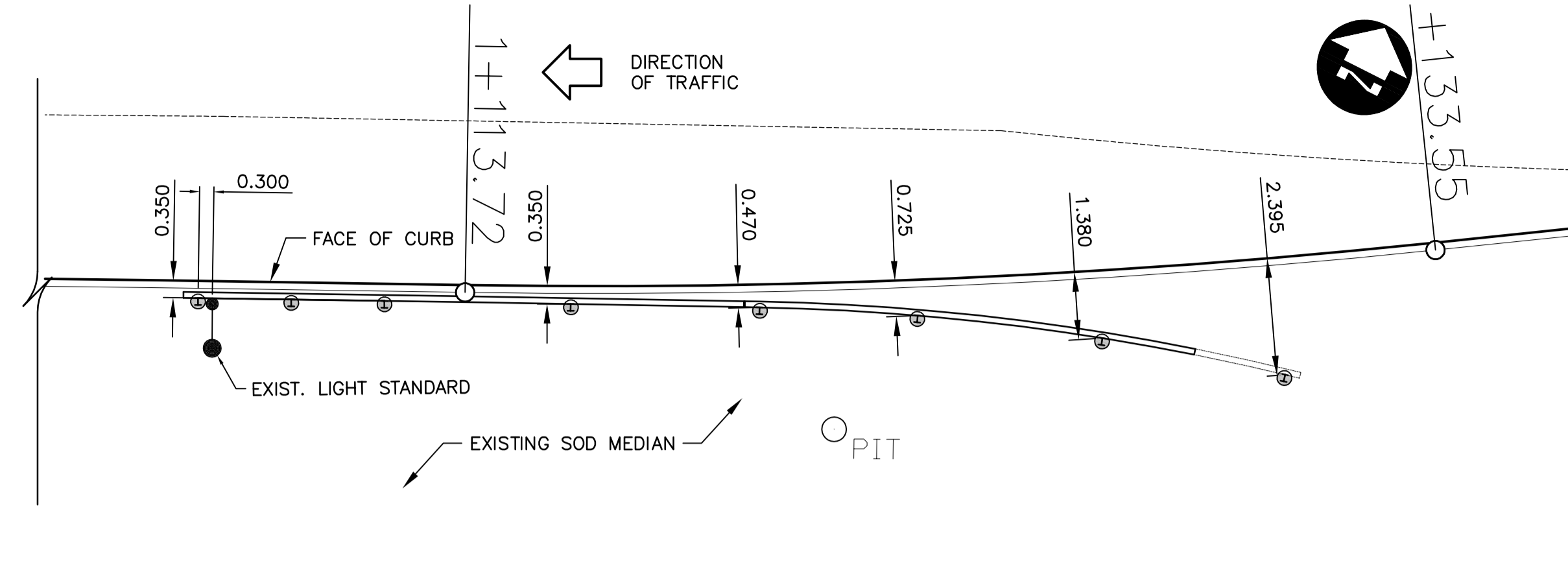
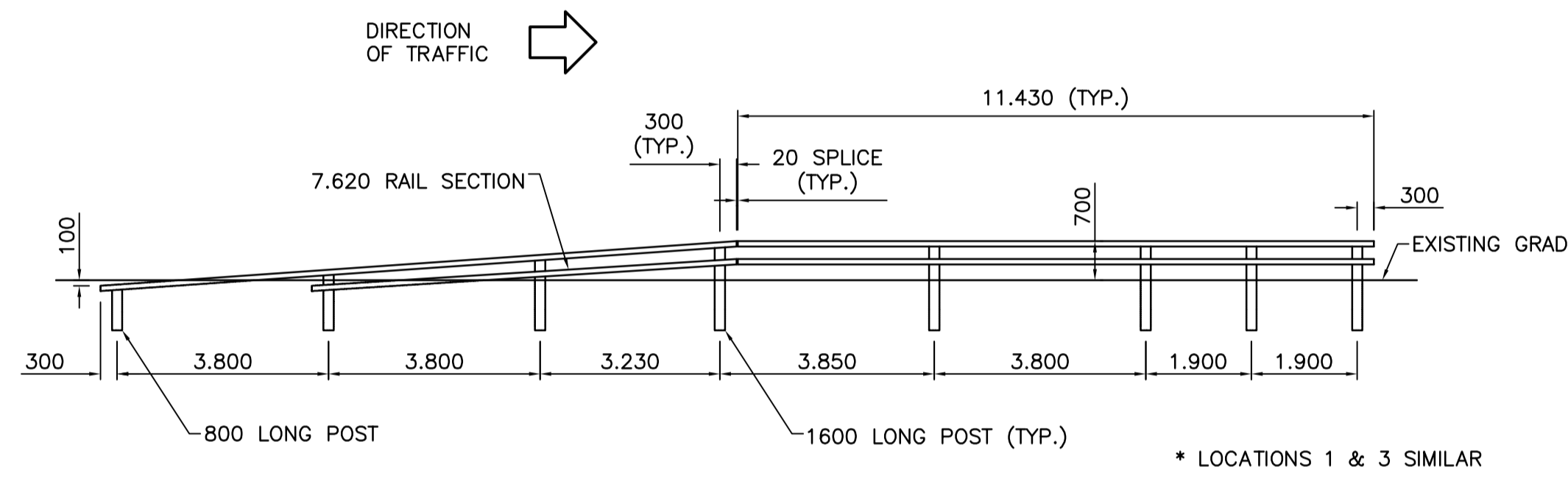
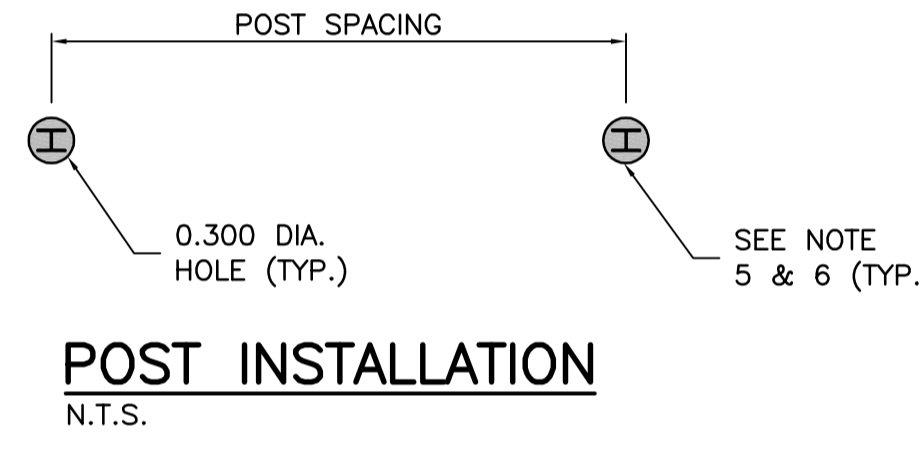


**LOCATION 1**  
**BISHOP GRANDIN BLVD. EAST OF ST. ANNE'S RD.**  
 SCALE 1:100



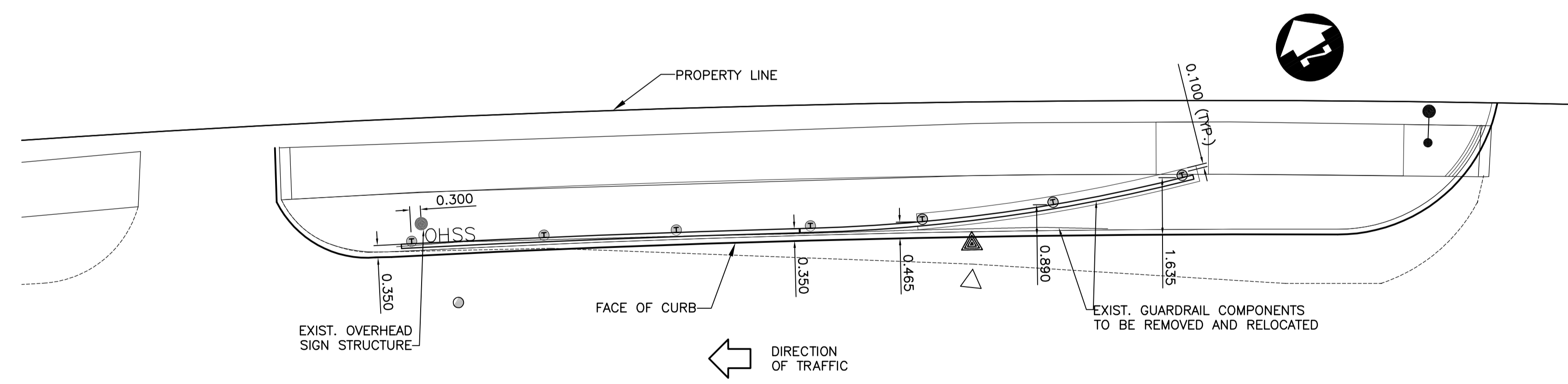
**LOCATION 2**  
**BISHOP GRANDIN BLVD. EAST OF ST. ANNE'S RD.**  
 SCALE 1:100



**ELEVATION - LOCATION 2**  
**BISHOP GRANDIN BLVD. EAST OF ST. ANNE'S RD.**  
 SCALE 1:100

- NOTES:**
1. ALL POSTS ARE 1.600 LONG EXCEPT AS OTHERWISE NOTED.
  2. ALL RAIL SECTIONS ARE 11.430 LONG EXCEPT AS OTHERWISE NOTED.
  3. HEIGHT OF TOP OF RAIL IS MEASURED FROM EXISTING GRADE AT FACE OF RAIL.
  4. REFER TO DRAWING No. B112-84-11 FOR STANDARD DETAILS.
  5. ALL POST HOLES TO BE DRILLED, BACKFILLED WITH 20mm LIMESTONE AND TAMPED.
  6. LOCATION 3 POST AND RAIL BLOCKOUTS TO BE CAPPED WITH 50 mm ASPHALT.

BILL OF MATERIALS			
ITEM		LOCATION 1	LOCATION 2
BARRIER RAIL	11430	3	3
BARRIER RAIL	7620	1	1
BARRIER POST	1600	7	7
BARRIER POST	800	1	1
RAIL END CAP		2	2
SPLICE BAR		2	2
RAIL CLAMP BAR		30	30
13-13 x 25 STAINLESS STEEL HEX. HEAD CAP SCREW		68	68
27 O.D. x 114 I.D. x 2 THICK STAINLESS STEEL WASHER		68	68



**LOCATION 3**  
**UNIVERSITY CRESC. AT WEDGEWOOD DR.**  
 SCALE 1:100

150 mm W.M.	WATERMAIN	150 mm W.M.	HYDRO	150 mm W.M.	WATERMAIN	150 mm W.M.	UNDERGROUND STRUCTURES	B.M. ELEV.	DESIGNED BY	R.T.P.									
300 mm L.D.S.	LAND DRAINAGE SEWER	300 mm L.D.S.	CONCRETE	300 mm L.D.S.	LAND DRAINAGE SEWER	300 mm L.D.S.	DATE	DRAWN BY	P.M.W./A.J.P.										
250 mm W.W.S.	WASTE WATER SEWER	250 mm W.W.S.	ASPHALT	250 mm W.W.S.	WASTE WATER SEWER	250 mm W.W.S.	DATE	CHECKED BY	D.B.W.										
	MANHOLE		PLANING		WASTE WATER SEWER		DATE	APPROVED BY											
	CATCH BASIN		PAVING STONES		WASTE WATER SEWER		DATE	HOR. SCALE	AS SHOWN										
	CURB INLET		PARTIAL DEPTH REPAIR		WASTE WATER SEWER		DATE	VERTICAL											
	JUNCTIONS		PROPERTY LINE		WASTE WATER SEWER		DATE	RELEASED FOR CONSTRUCTION											
	CULVERT		SURVEY BAR		WASTE WATER SEWER		DATE	DATE	JUNE 15 / 2007										
	GAS		PARAPLEGIC RAMP		WASTE WATER SEWER		DATE	DATE											
EXISTING	LEGEND-PLAN	PROPOSED	EXISTING	LEGEND-PLAN	PROPOSED	EXISTING	LEGEND-PROFILE	PROPOSED	DATE	JUNE 15 / 2007									