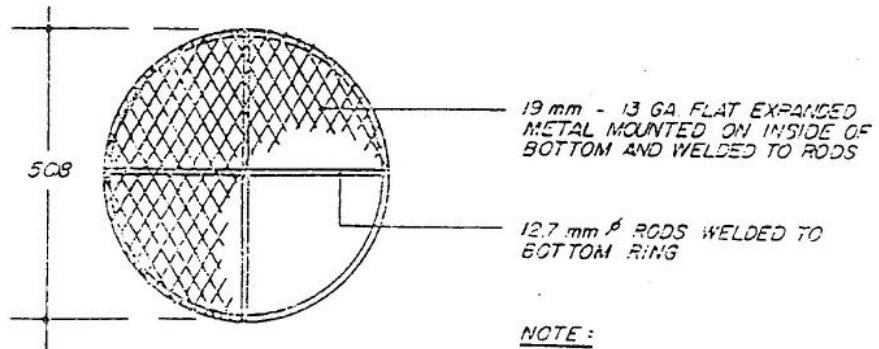
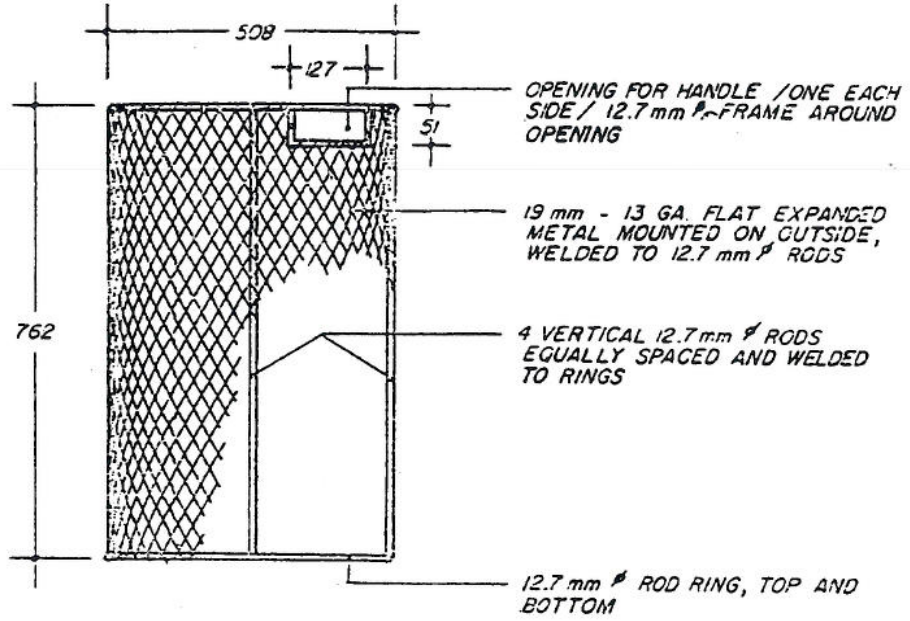


TITLE

EXPANDED METAL BASKET

SCD-106



NOTE:

APPLY ONE COAT OF METAL PRIMER AND ONE COAT ALUMINUM PAINT.

THE CITY OF WINNIPEG

