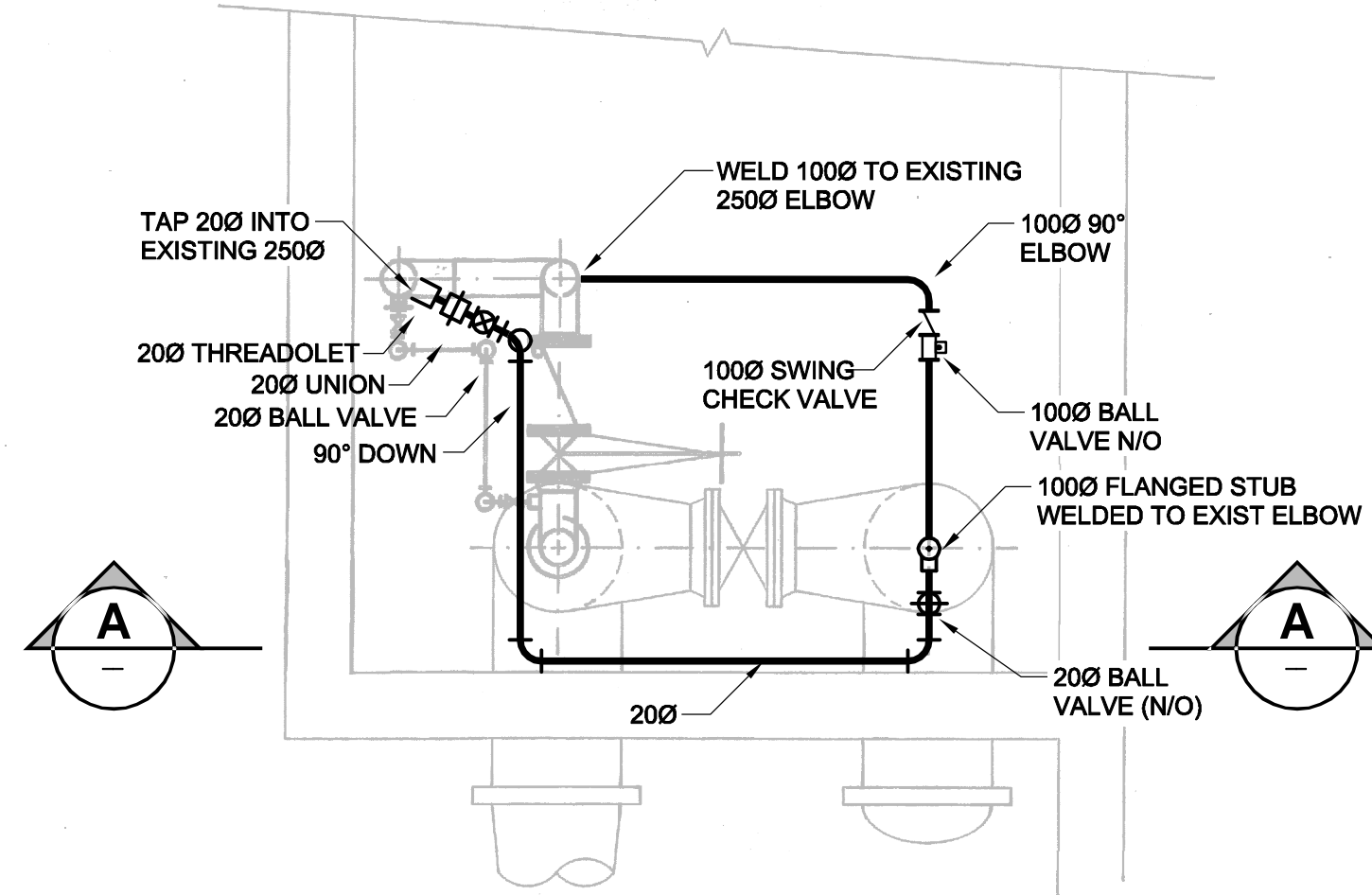
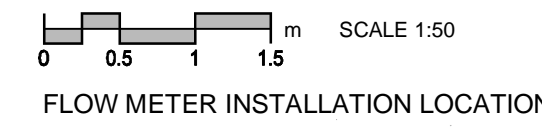
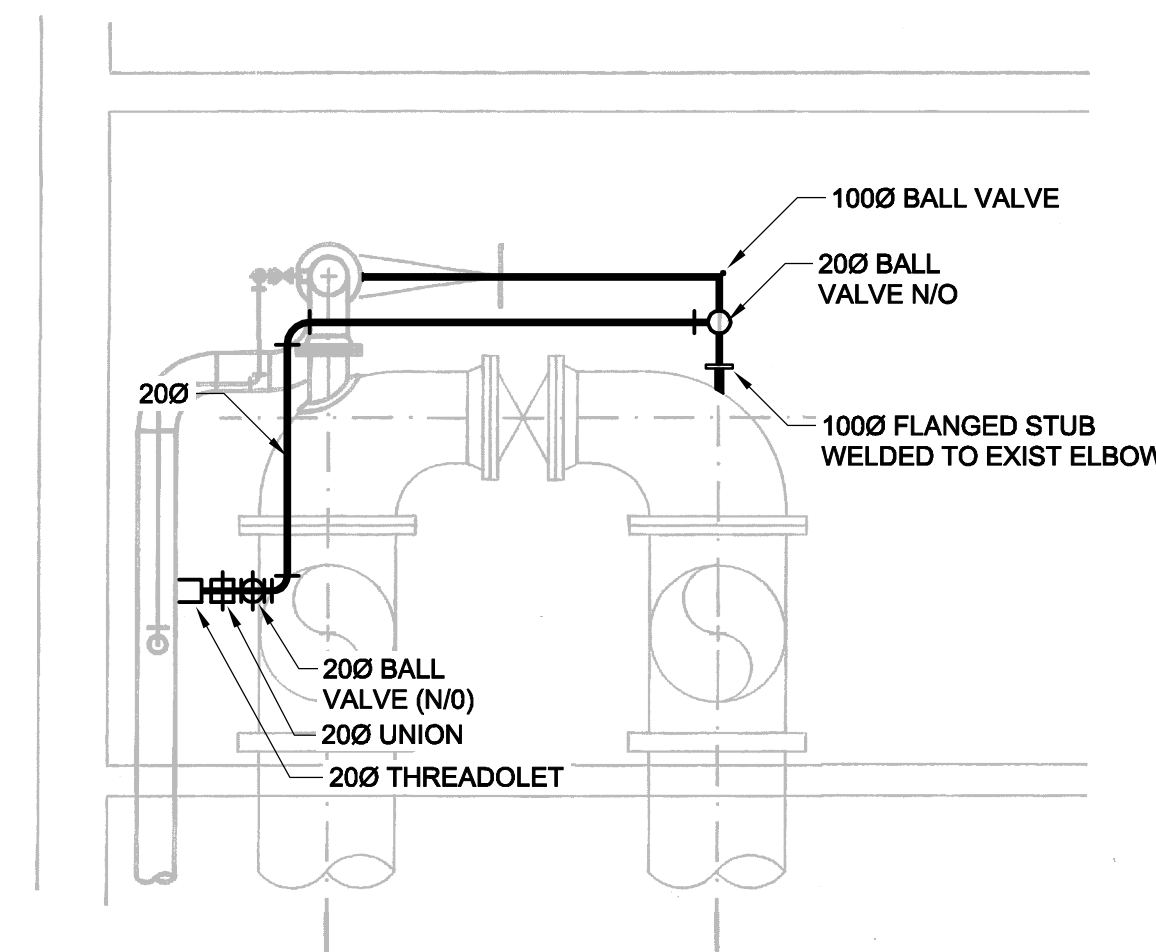
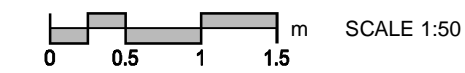


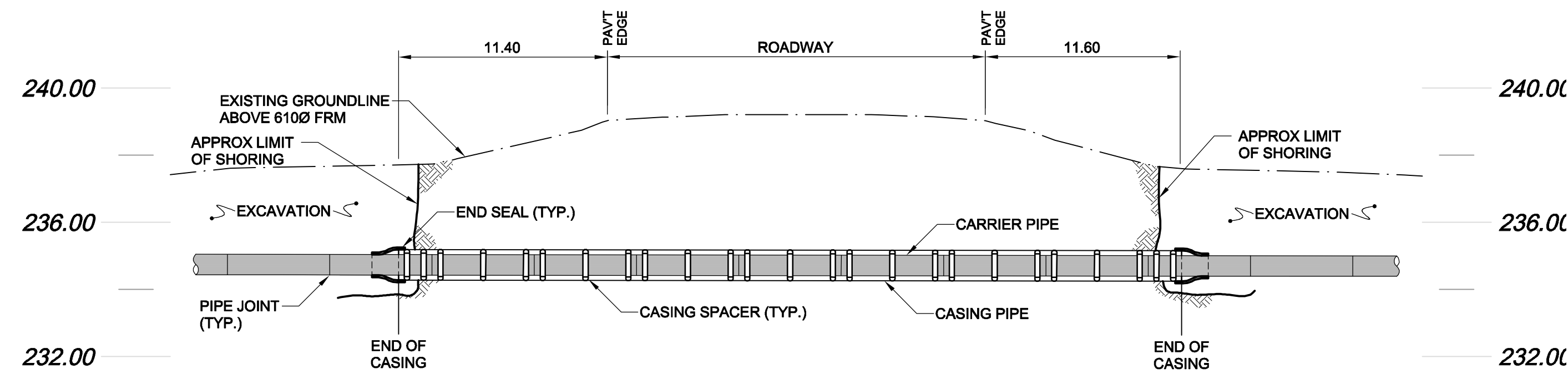
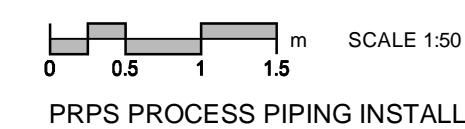
PRPS FLOW METER INSTALLATION LOCATION



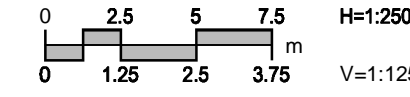
PRPS PLAN PROCESS PIPING INSTALLATION



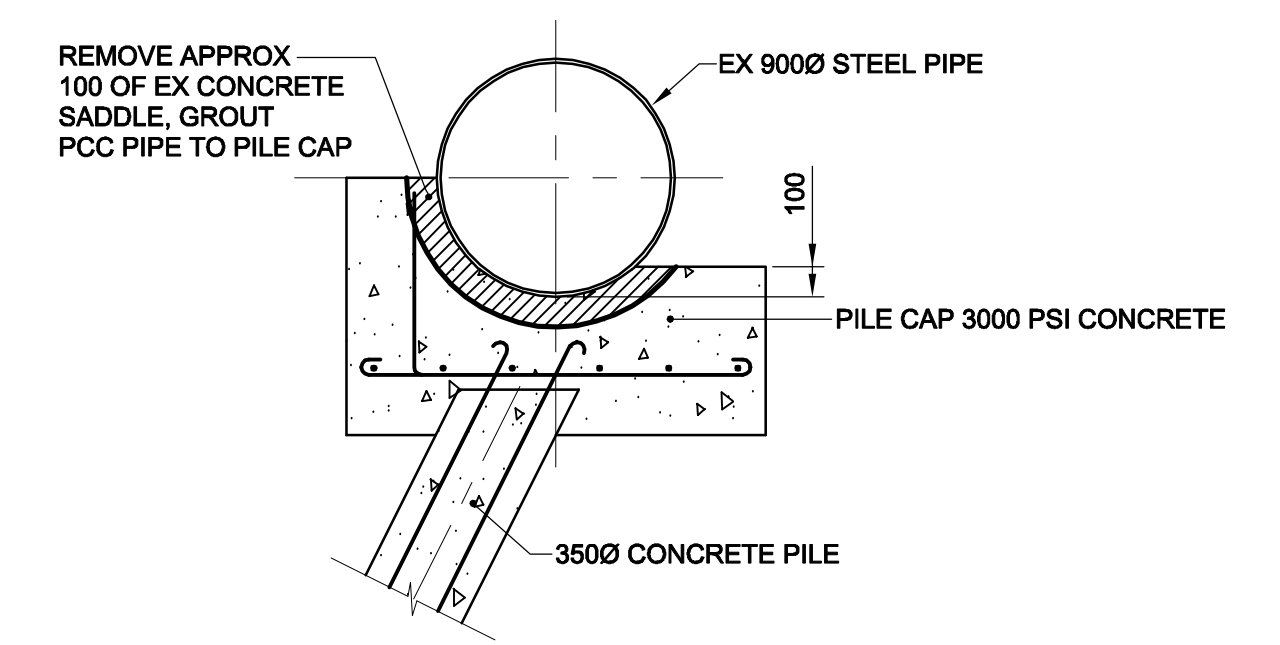
SECTION A



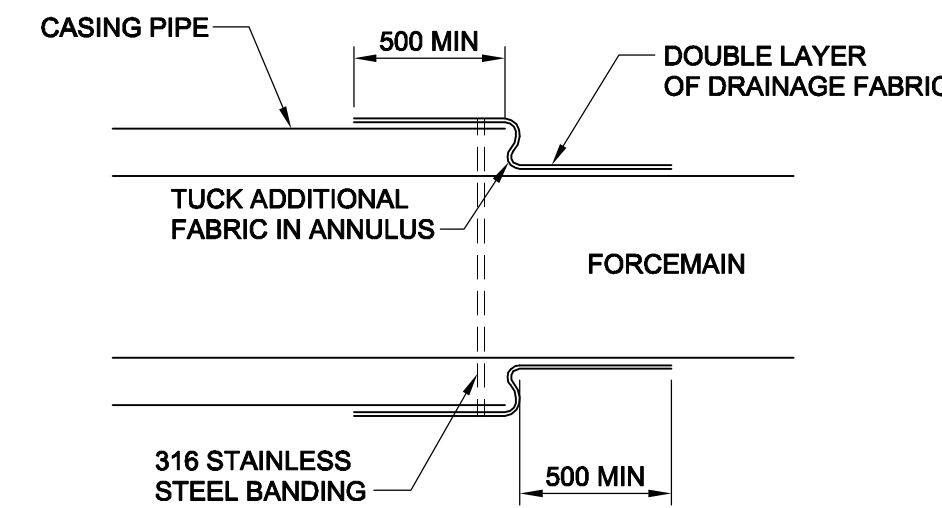
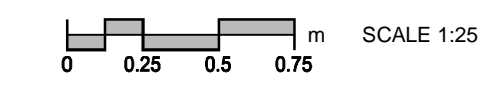
PERIMETER HIGHWAY 610Ø FRM CROSSING



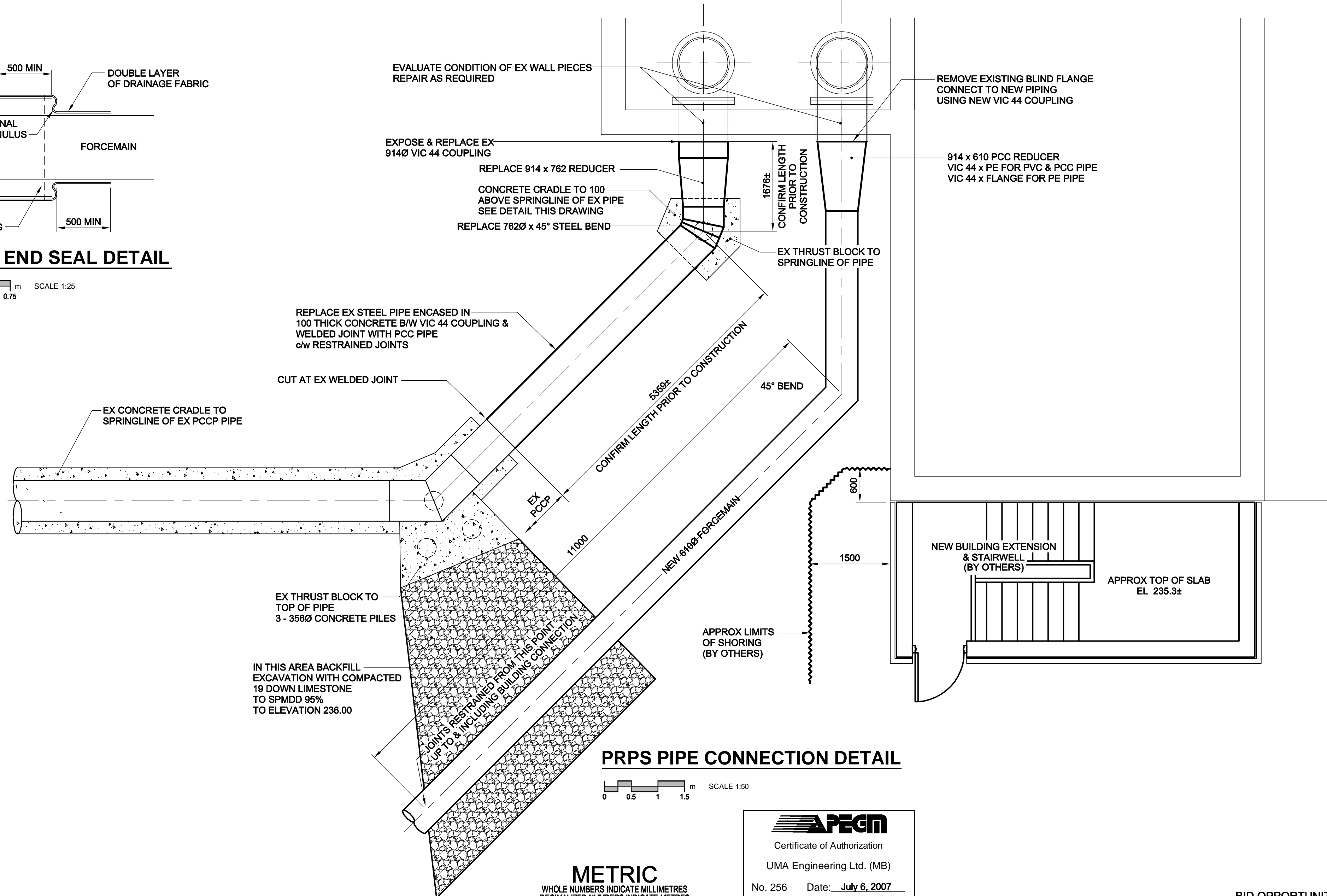
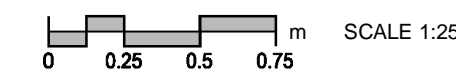
CARRIER PIPE	CARRIER PIPE MAX O.D.	MIN STEEL PIPE DIAMETER
AWWA C906 PE DR17	711	914
AWWA C905 PVC DR25	772	914
AWWA C301 LCP	800	1016



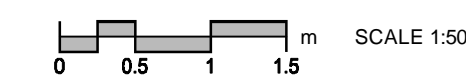
SECTION THRU EX CONCRETE CRADLE



CASING END SEAL DETAIL



PRPS PIPE CONNECTION DETAIL



METRIC
WHOLE NUMBERS INDICATE MILLIMETRES
DECIMALIZED NUMBERS INDICATE METRES

APEGM
Certificate of Authorization
UMA Engineering Ltd. (MB)
No. 256 Date: July 6, 2007

LOCATION APPROVED UNDERGROUND STRUCTURES	
SUPR. U/G STRUCTURES	DATE
COMMITTEE	
NOTE: LOCATION OF UNDERGROUND STRUCTURES AS SHOWN ARE BASED ON THE BEST INFORMATION AVAILABLE, BUT NO GUARANTEE IS GIVEN THAT ALL EXISTING UTILITIES ARE SHOWN OR THAT THE GIVEN LOCATIONS ARE EXACT. CONFIRMATION OF EXISTENCE AND EXACT LOCATION OF ALL SERVICES MUST BE OBTAINED FROM THE INDIVIDUAL UTILITIES BEFORE PROCEEDING WITH CONSTRUCTION.	
0	ISSUED FOR CONSTRUCTION 07/07/06 KMB
NO.	REVISIONS YYMMDD BY

DESIGNED BY	CHECKED BY
EDT	MGM
DRAWN BY	APPROVED BY
ADL	CCM
HOR. SCALE	VERT. SCALE
AS NOTED	N/A
DATE	DATE
2007/07/06	July 6/07

UMA AECOM	
© 2006 UMA ENGINEERING LTD. ALL RIGHTS RESERVED.	
DESIGNED BY	CHECKED BY
EDT	MGM
DRAWN BY	APPROVED BY
ADL	CCM
HOR. SCALE	VERT. SCALE
AS NOTED	N/A
DATE	DATE
2007/07/06	July 6/07

PROFESSIONAL'S SEAL	
ORIGINAL SEALED BY: E.D.J. TOUPIN July 6, 2007	
CONSULTANT DRAWING NO. 07 D265-202-01	

THE CITY OF WINNIPEG
WATER AND WASTE DEPARTMENT

PERIMETER ROAD PUMPING STATION UPGRADES CONTRACT A

FORCEMAIN TWINNING

MISCELLANEOUS DETAILS 2

SHEET 7 OF 8

CITY DRAWING NUMBER

06087

REV 0

BID OPPORTUNITY NO. 481-2007