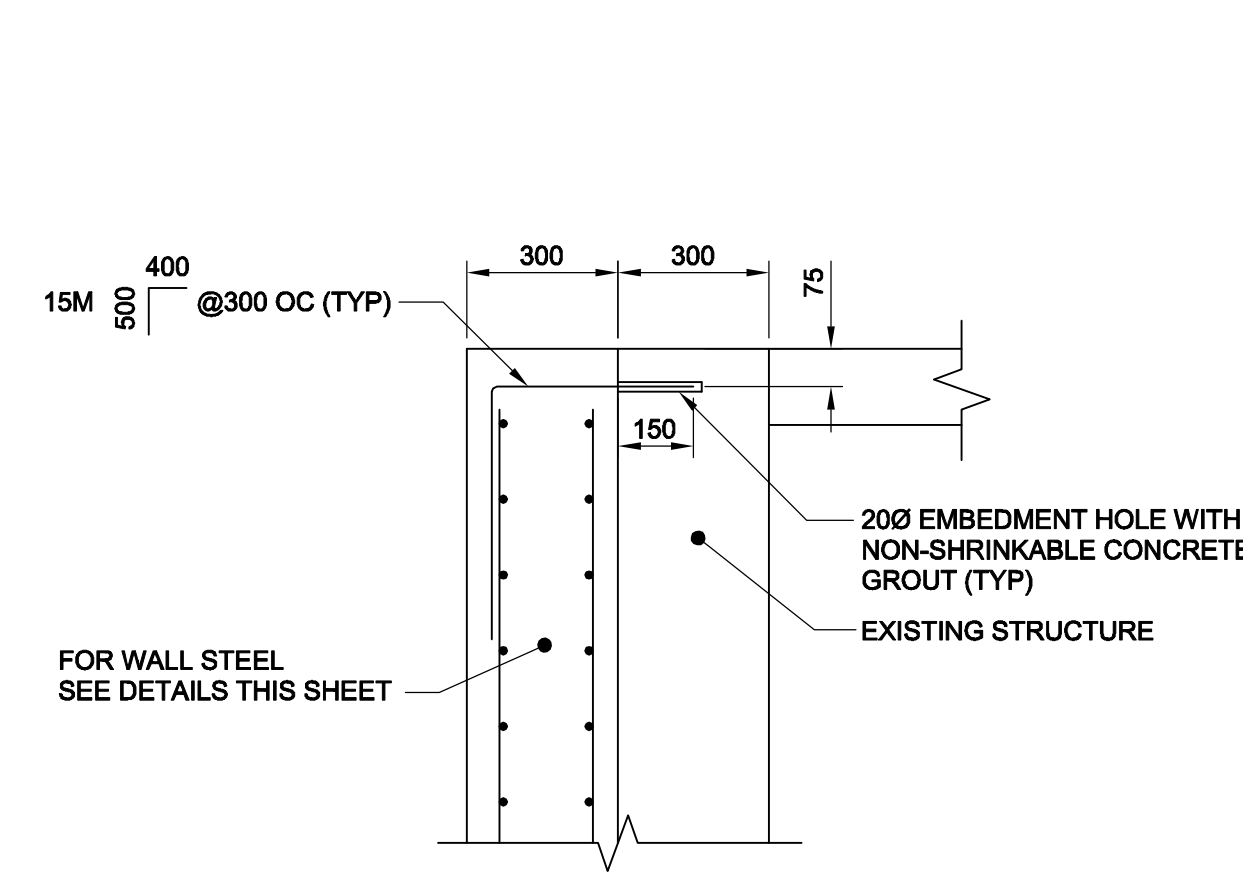


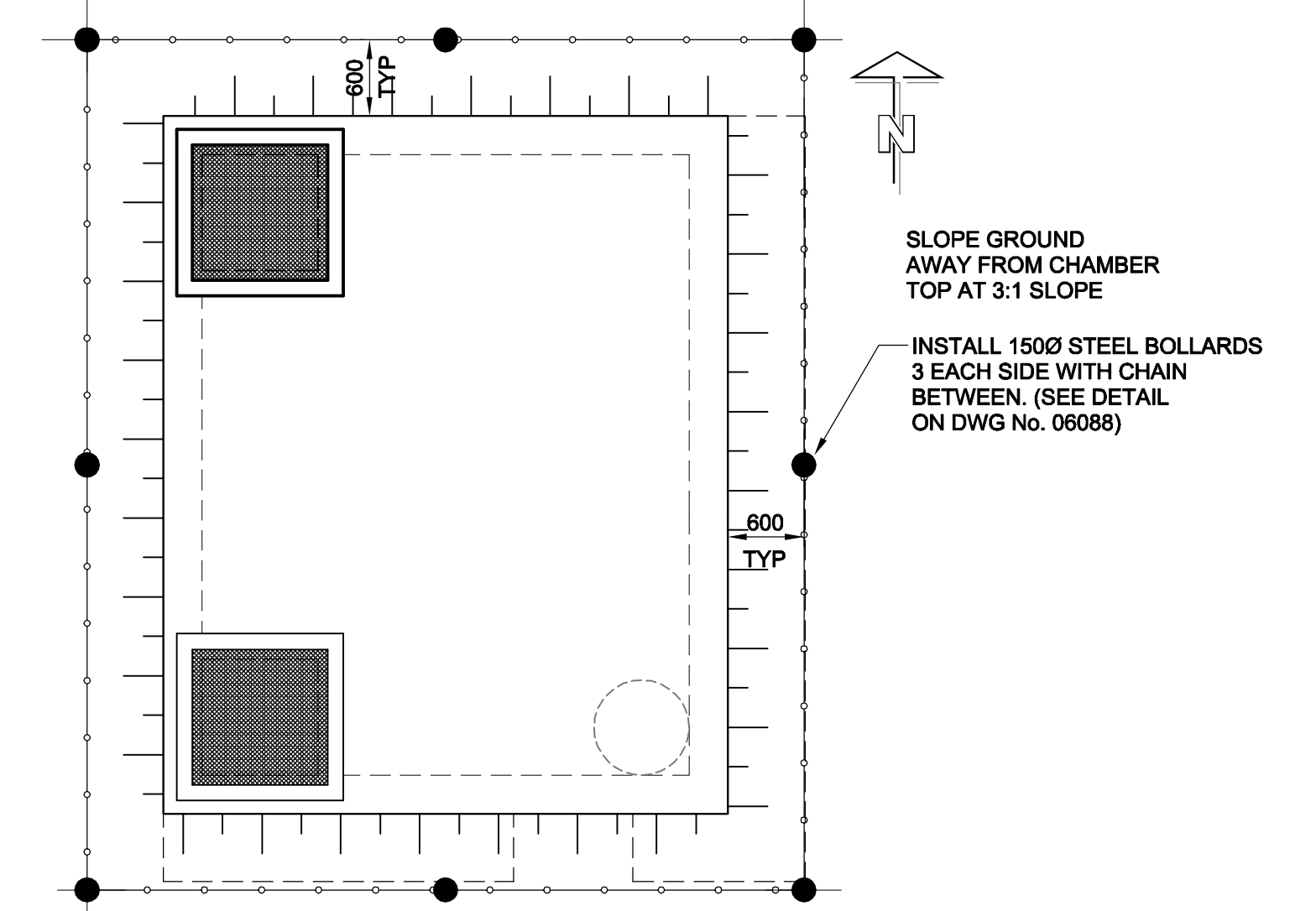
PLAN OF BEAM END

SCALE 1:25



CONNECTION DETAIL

SCALE 1:15



VALVE CHAMBER VC2A PLAN VIEW AT EL 239.00

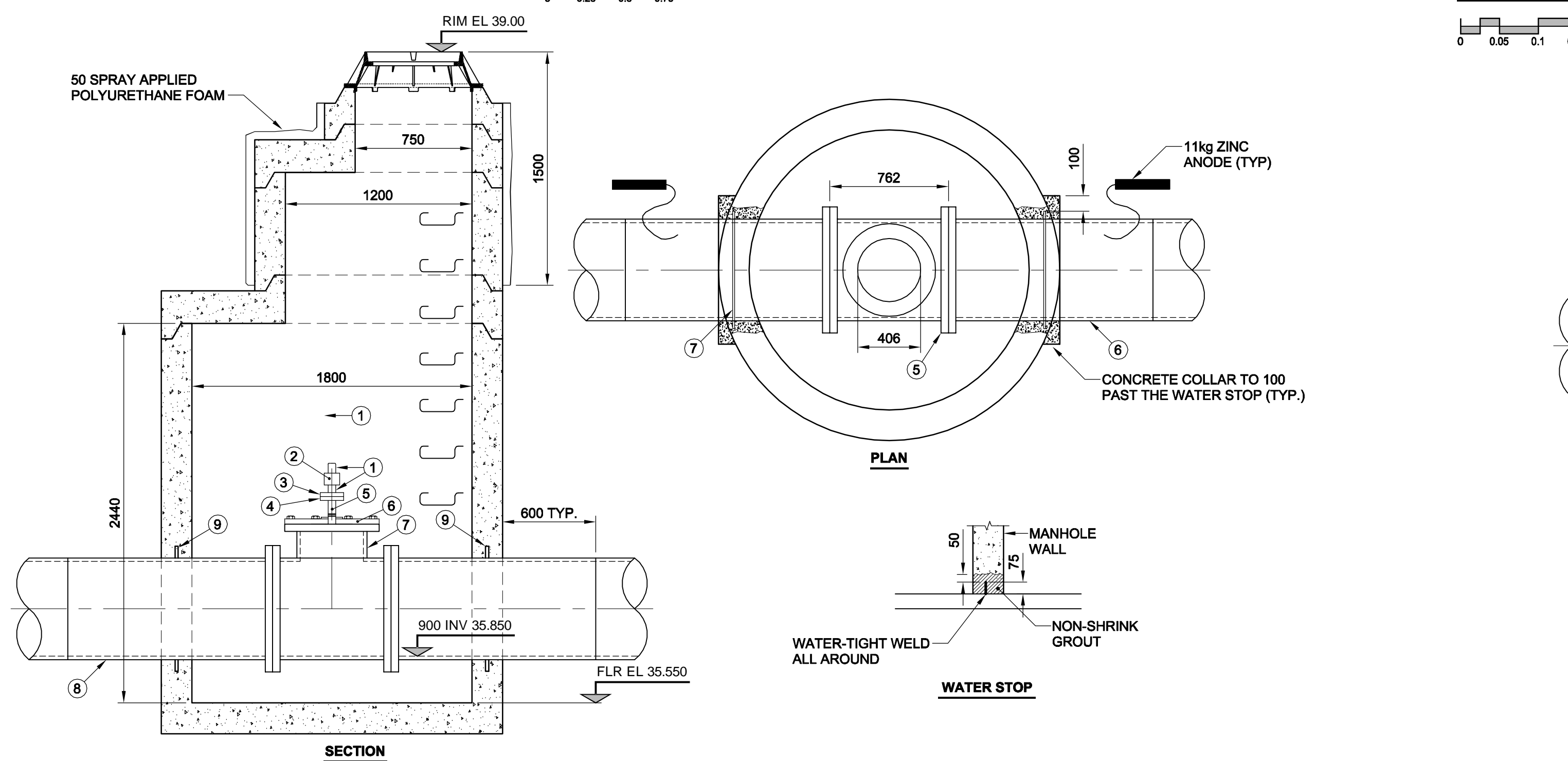
SCALE 1:50

ITEM	DESCRIPTION	QUANTITY	LENGTH
1	STEM EXTENSION	5	TO SUIT
2	STD CITY OF WINNIPEG VALVE BOX c/w PVC RISER	3	TO SUIT
3	ACTUATOR WITH MIN 150 OFFSET	1	TO SUIT

NOTE: REMAINDER OF REINFORCING WALL STEEL NOT SHOWN FOR CLARITY

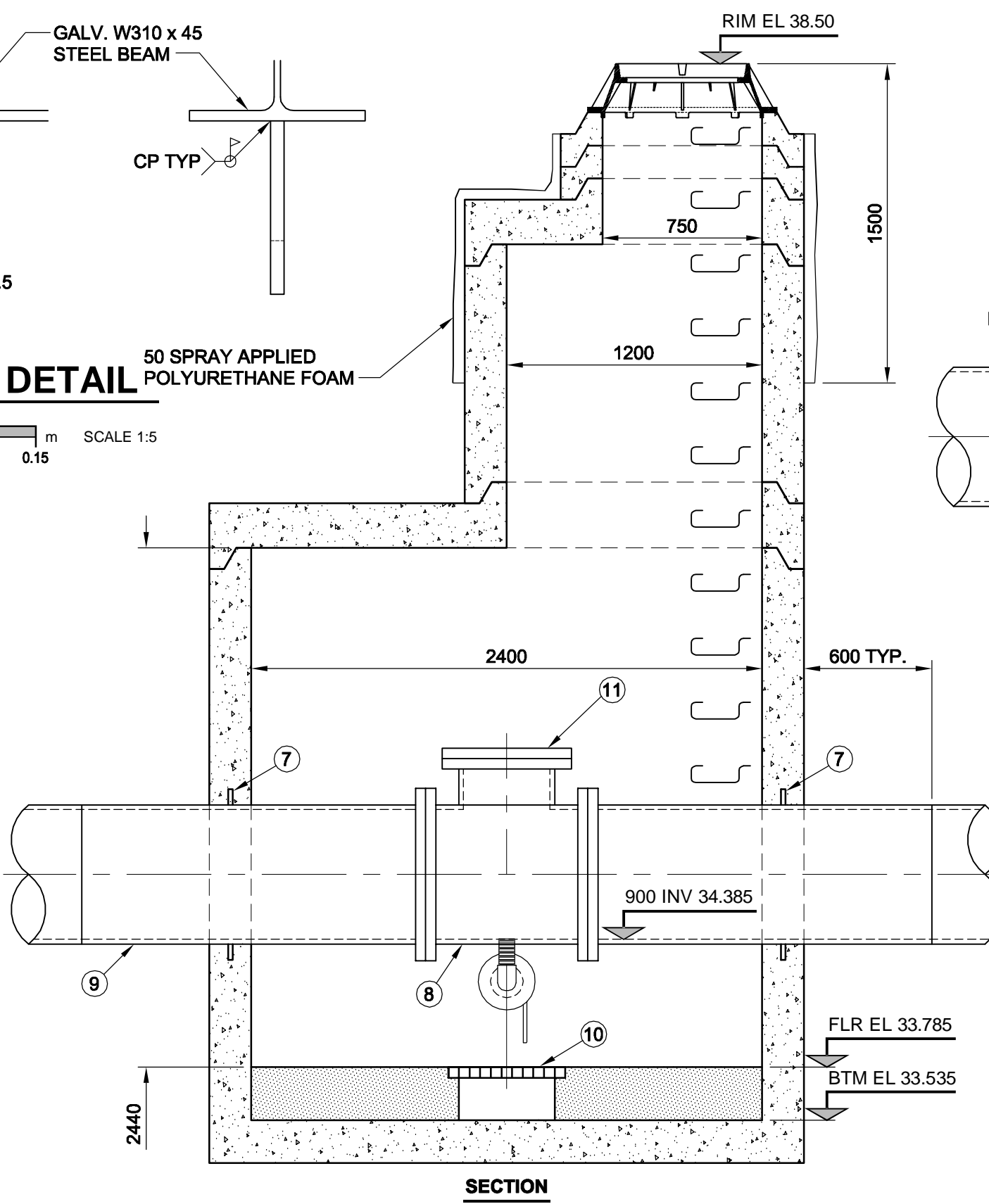
VALVE CHAMBER VC2A ELEVATION

SCALE 1:25



CLASP DETAIL

SCALE 1:5



DRAIN MANHOLE DETAIL

SCALE 1:25

STA. 1+246.48

ITEM	DESCRIPTION	QUANTITY	LENGTH
1	75 SCHEDULE 80 STEEL NIPPLE (THREADED)	2	125
2	75 SCHEDULE 80 STEEL 90° ELBOW (THREADED)	1	
3	75 STEEL FLANGE CL 125 (THREADED) C/W ISOLATION KIT	1	
4	75 CAST BRONZE OR BRASS FLANGE	1	
5	75 CAST BRONZE OR BRASS NIPPLE	1	125
6	75 CAST BRONZE BALL VALVE	1	
7	WATER STOP	2	12 x 75
8	610 x 610 x 406 TEE (FL x FL x FL)	1	
9	6100 WALL PIECE CLASS S4 DUCTILE IRON (FL x PE) FOR PVC & PCC PIPE	2	TO SUIT
10	6100 WALL PIECE CLASS S4 DUCTILE IRON (FL x FL) FOR PE PIPE	2	TO SUIT
11	FRP SUMP PIT COVER	1	

ITEM	DESCRIPTION	QUANTITY	LENGTH
1	50 CAST BRONZE OR BRASS NIPPLE (THREADED)	1	125
2	50 BRONZE GATE VALVE (THREADED)	1	
3	50 CAST BRONZE OR BRASS FLANGE (THREADED)	1	
4	50 STEEL FLANGE CL 125 (THREADED) C/W ISOLATION KIT	1	
5	50 SCHEDULE 80 STEEL NIPPLE (THREADED)	1	
6	457 STEEL FLANGE CL 125 WITH 50 THREADED TAP	1	
7	610 x 610 x 457 DUCTILE IRON TEE (FL x FL x FL)	1	
8	6100 WALL PIECE CLASS S4 DUCTILE IRON (FL x PE) FOR PVC & PCC PIPE	2	TO SUIT
9	6100 WALL PIECE CLASS S4 DUCTILE IRON (FL x FL) FOR PE PIPE	2	TO SUIT
10	WATER STOP	2	12 x 75

BLOW-OFF MANHOLE DETAIL

SCALE 1:25
STA. 1+525.70



UMA Engineering Ltd. (MB)
No. 256 Date: July 6, 2007

LOCATION APPROVED UNDERGROUND STRUCTURES

SUPR. U/G STRUCTURES COMMITTEE DATE
NOTE: LOCATION OF UNDERGROUND STRUCTURES AS SHOWN ARE BASED ON THE BEST INFORMATION AVAILABLE. BUT NO GUARANTEE IS GIVEN THAT ALL EXISTING UTILITIES ARE SHOWN OR THAT THE GIVEN LOCATIONS ARE EXACT. CONFIRMATION OF EXISTENCE AND EXACT LOCATION OF ALL SERVICES MUST BE OBTAINED FROM THE INDIVIDUAL UTILITIES BEFORE PROCEEDING WITH CONSTRUCTION.

NO.	REVISIONS	DATE	BY
0	ISSUED FOR CONSTRUCTION	07/07/06	KMB

METRIC
WHOLE NUMBERS INDICATE MILLIMETRES
DECIMALIZED NUMBERS INDICATE METRES

DESIGNED BY	EDT / GEB	CHECKED BY	SBB / MGM
DRAWN BY	ADL	APPROVED BY	CCM
HOR. SCALE	AS NOTED	RELEASED FOR CONSTRUCTION	C. Carroll
VERT. SCALE	N/A	DATE	July 6/07
DATE	2007/07/06		

PROFESSIONAL'S SEAL
ORIGINAL SEALED BY:
E.D.J. TOUPIN
July 6, 2007
CONSULTANT DRAWING NO. 06
D265-202-01

UMA AECOM

© 2006 UMA ENGINEERING LTD. ALL RIGHTS RESERVED.

THE CITY OF WINNIPEG
WATER AND WASTE DEPARTMENT

PERIMETER ROAD PUMPING STATION UPGRADES
CONTRACT A

FORCEMAIN TWINNING

MISCELLANEOUS DETAILS 1

SHEET 6 OF 8
CITY DRAWING NUMBER
REV 0

06086

BID OPPORTUNITY NO. 481-2007