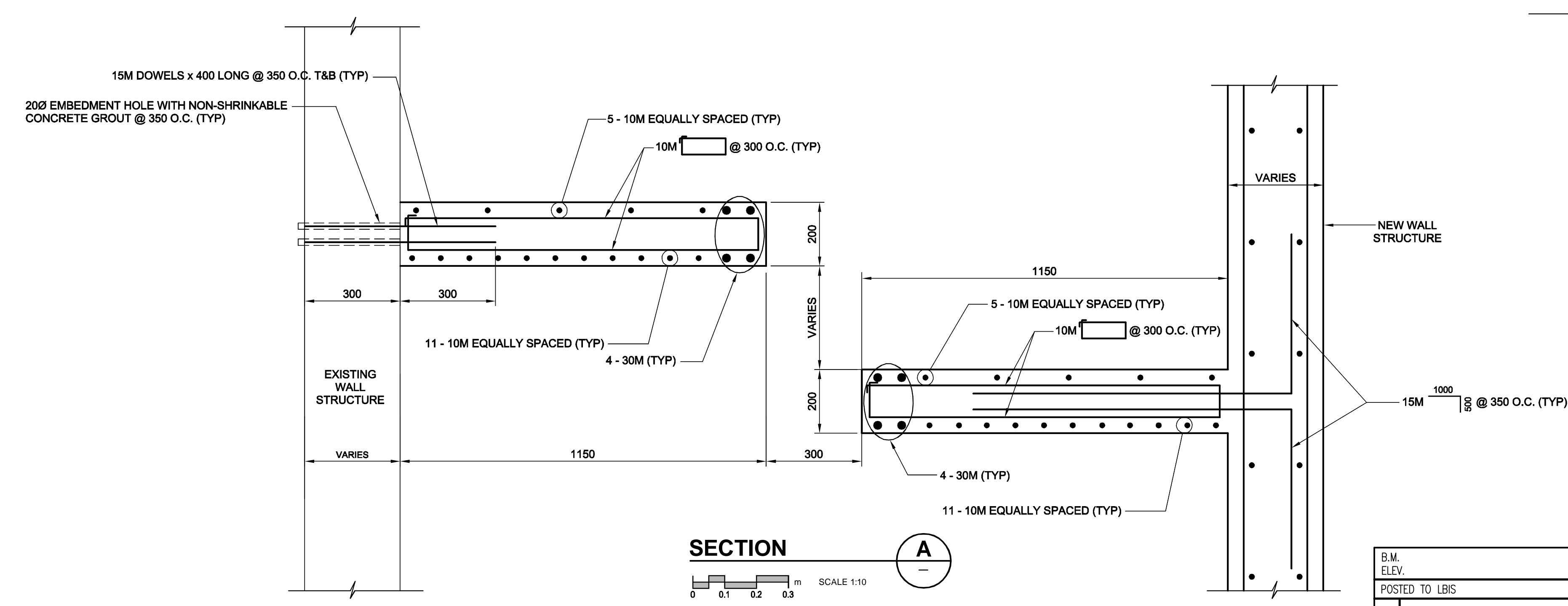
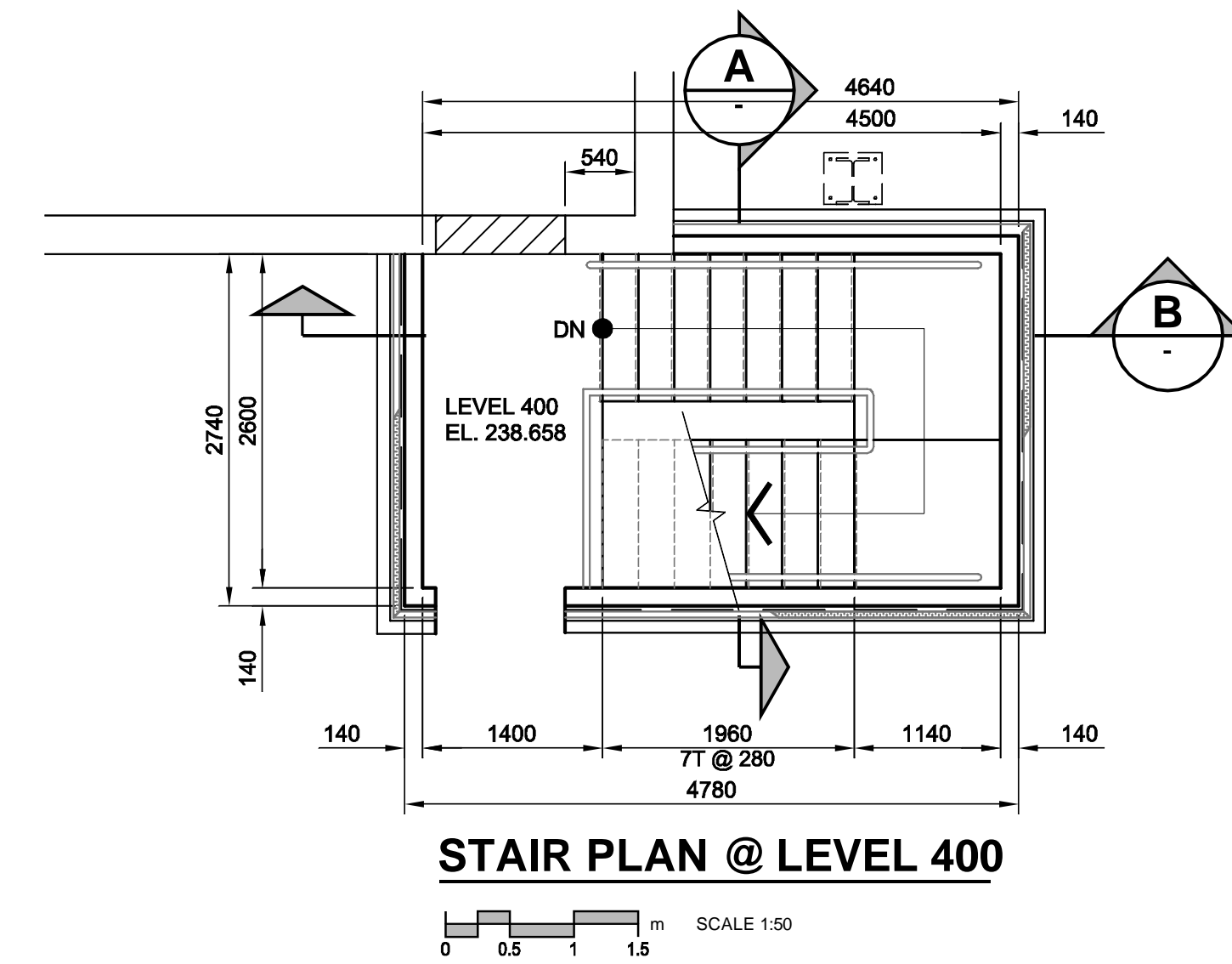


SECTION B
TYPICAL NORTH EAST STAIR SECTION
SCALE 1:10



SECTION A
TYPICAL NORTH EAST STAIR SECTION
SCALE 1:10



STAIR PLAN @ LEVEL 400
SCALE 1:50

APEGM
Certificate of Authorization
UMA Engineering Ltd. (MB)
No. 256 Date: 07/12/14

MP	CGC	SBB	SBB	BLL
DRN	CHK	DES	ENG	IDR
UMA REVIEW				

B.M. ELEV.	FIELD BOOK #:	UMA AECOM	
POSTED TO LBIS		DESIGNED BY: GEB	CHECKED BY: -----
		DRAWN BY: Wjd	APPROVED BY: -
		HOR. SCALE: AS NOTED	RELEASED FOR CONSTRUCTION
		VERTICAL SCALE: AS NOTED	
B ISSUED FOR BID	07/12/14	LJV	DATE
A ISSUED FOR 100% REVIEW	09/11/07	KMB	DATE 07/09/12
NO. REVISIONS	DATE	BY	FILENAME: D265-202-02_02-S-0013_RX.dwg

ENGINEER'S SEAL
ISSUE / REVISION
ISSUED FOR BID
WAS SEALED BY
BARRY BISWANGER
AND DATED
07/12/14

THE CITY OF WINNIPEG
WATER AND WASTE DEPARTMENT

PERIMETER ROAD PUMPING STATION UPGRADES
Contract B - Building Upgrades

Structural - East Stair
LEVEL 400 PLAN & SECTIONS

CITY DRAWING NUMBER	SHEET	REV.	SIZE
1-01111L-S0008	001	B	D