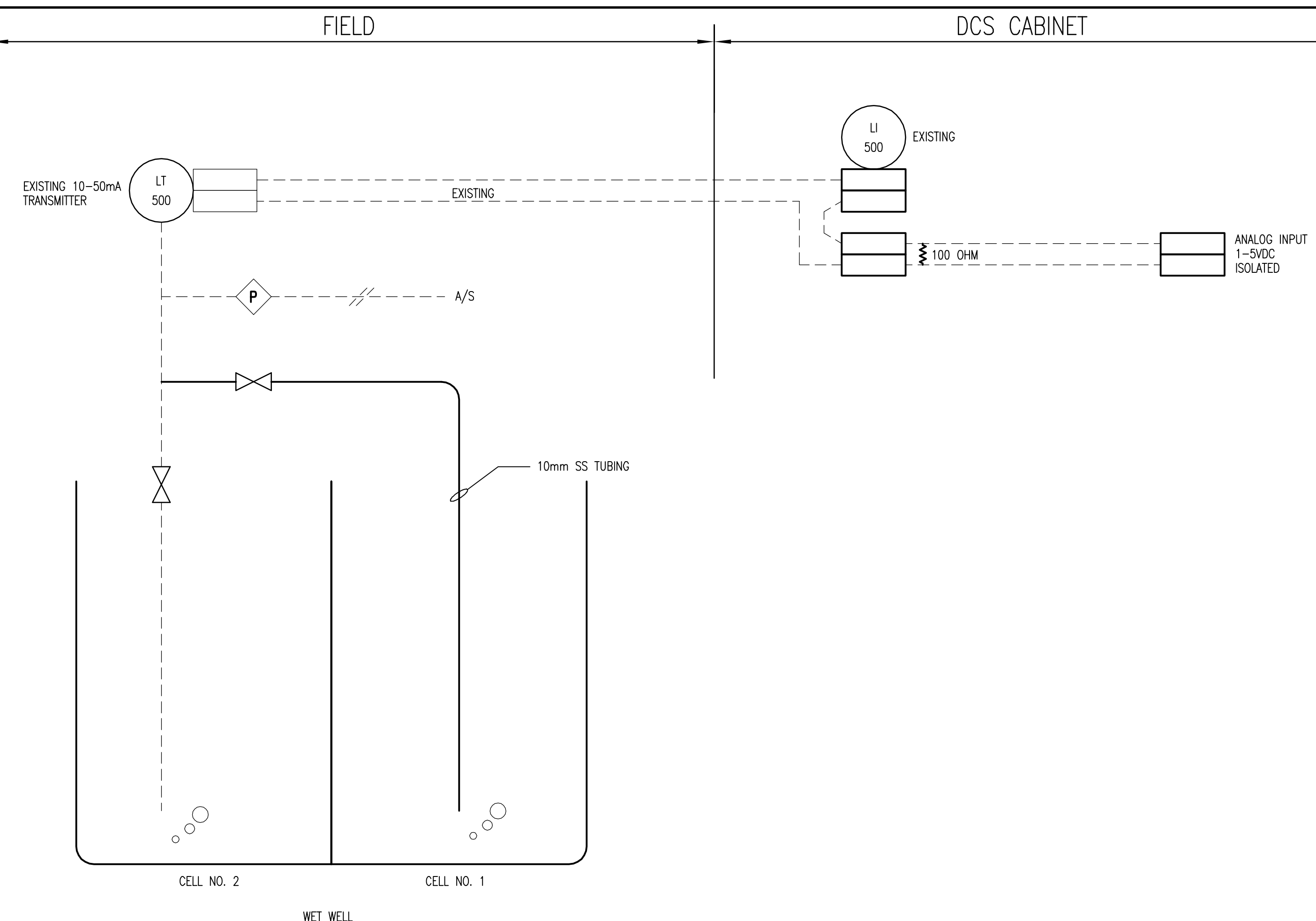


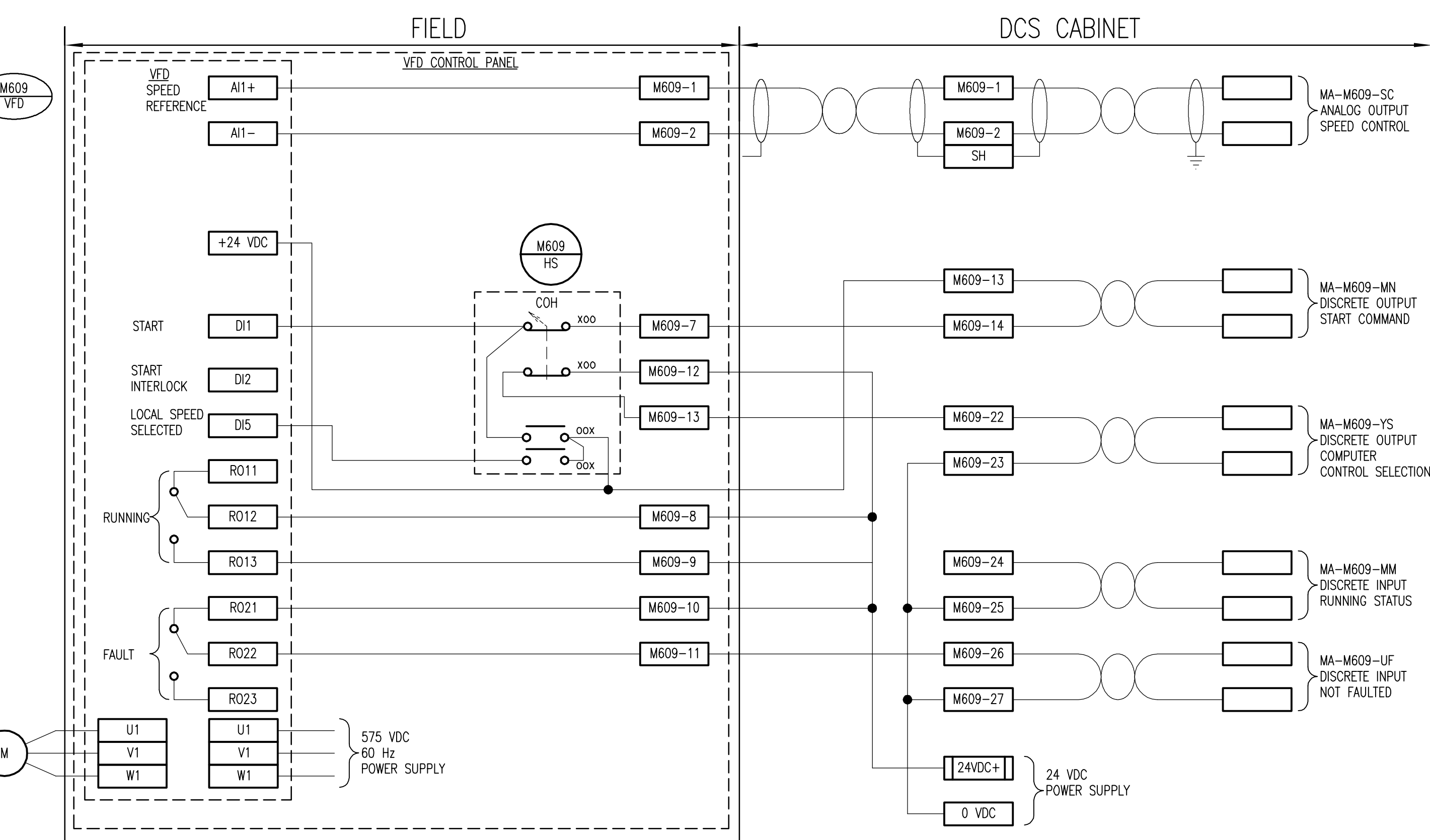
D SIZE 22" x 34" (559mm x 864mm)

PLOT: 19/12/2007 1:20:05 PM

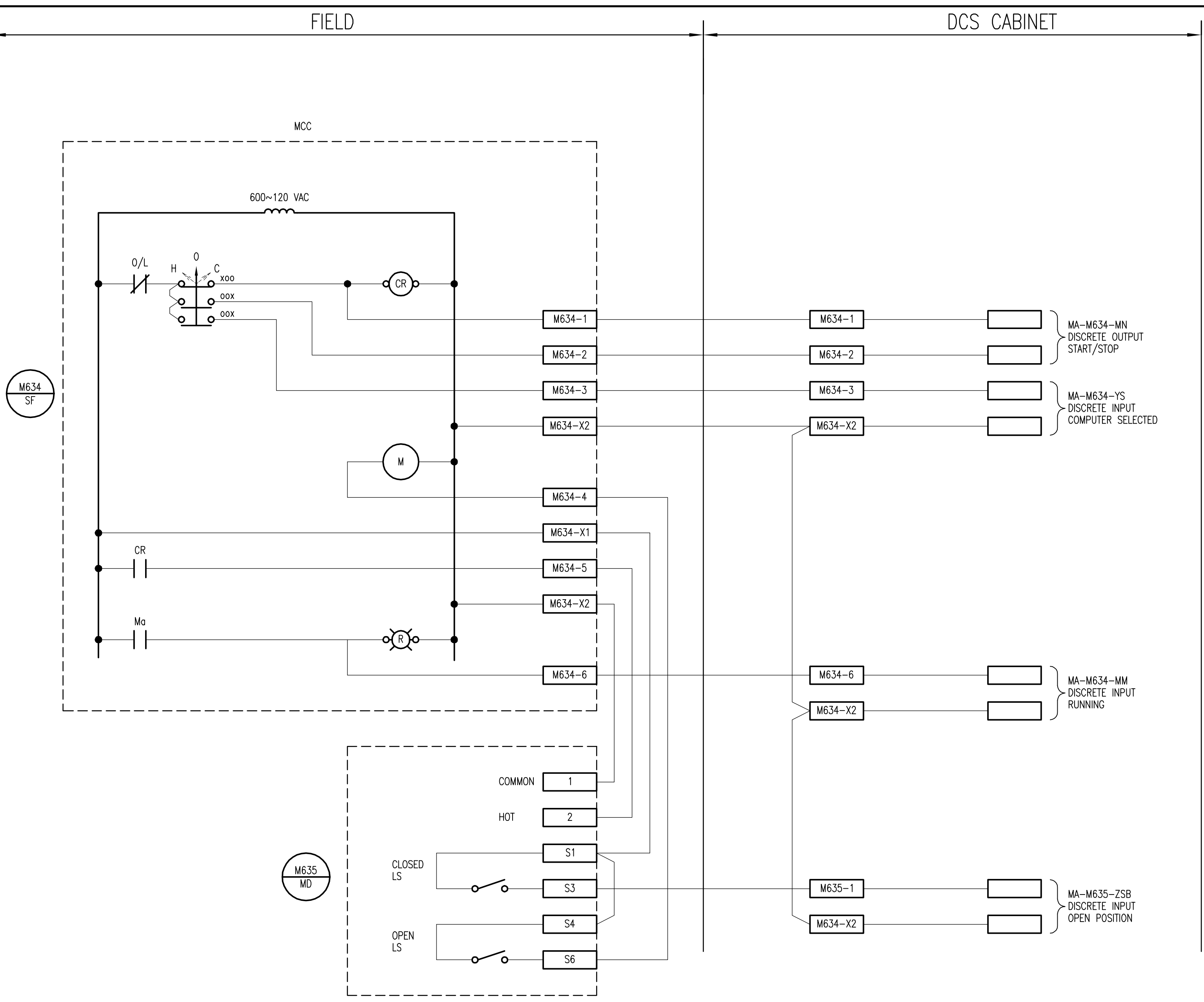
UMA FILE NAME: D265-202-02\_00-IL002\_RX.dwg Saved By: SCHWEN



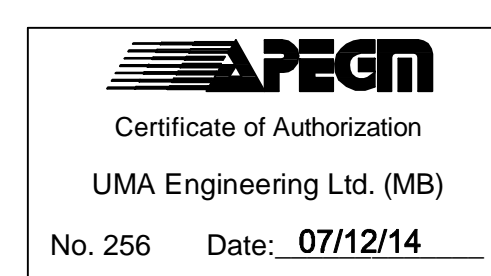
INSTRUMENT LOOP DIAGRAM FOR MA-M500-LIT



INSTRUMENT LOOP DIAGRAM FOR M609-VFD  
TYPICAL FOR M620-EF, M610-EF



INSTRUMENT LOOP DIAGRAM FOR MA-M634-SF



QL	RS	BM	BM	BF
DRN	CHK	DES	ENG	IDR
UMA REVIEW				

B.M. ELEV.	FIELD BOOK #:	UMA   AECOM	
POSTED TO LBIS		DESIGNED BY: <b>BLM</b>	CHECKED BY: -----
		DRAWN BY: <b>SCK</b>	APPROVED BY: -
		HOR. SCALE: <b>AS NOTED</b>	RELEASED FOR CONSTRUCTION
		VERTICAL: <b>AS NOTED</b>	
<b>A</b> ISSUED FOR BID	07/12/14	SCK	DATE: 07/07/23
NO. REVISIONS	DATE	BY	FILENAME: D265-202-02_00-IL0002_RX.dwg

ENGINEER'S SEAL

ISSUE / REVISION D  
ISSUED FOR BID  
WAS SEALED BY  
B.L. MOORE  
AND DATED  
07/12/14

**THE CITY OF WINNIPEG**  
WATER AND WASTE DEPARTMENT

**PERIMETER ROAD PUMPING STATION UPGRADES**  
Contract B - Building Upgrades

Instrument Loop Diagrams  
HVAC

CITY DRAWING NUMBER: **1-0111L-E0015** SHEET: **002** REV: **A** SIZE: **D**