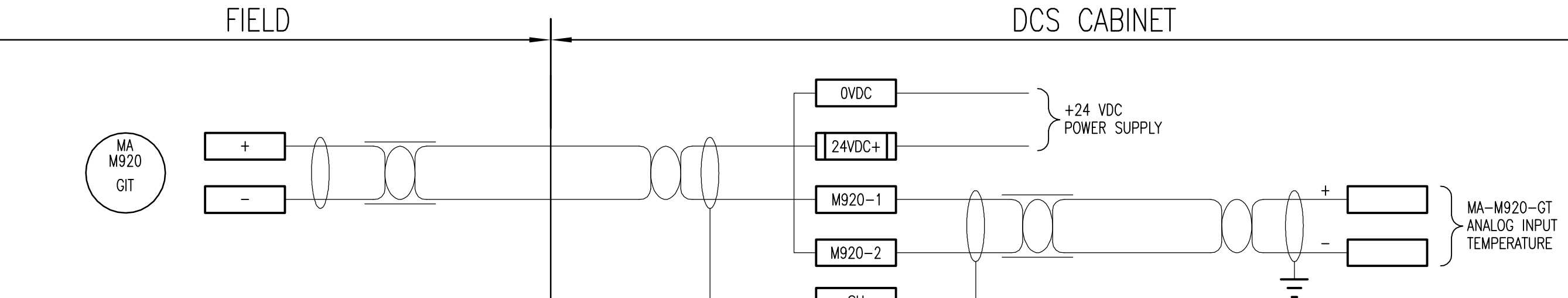
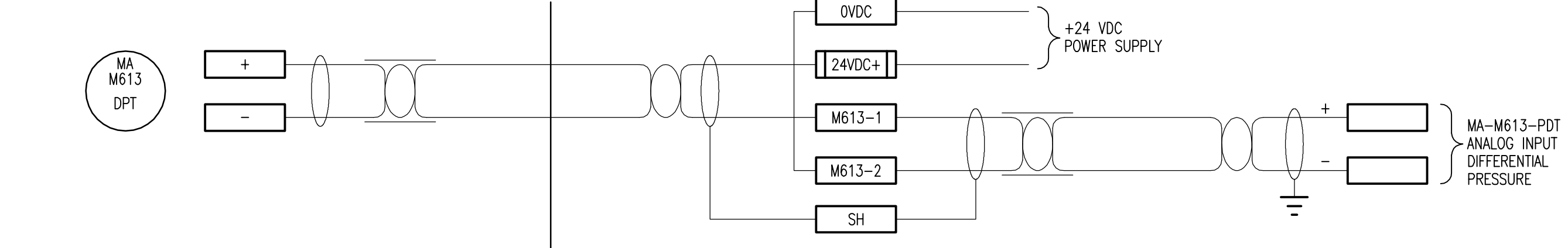


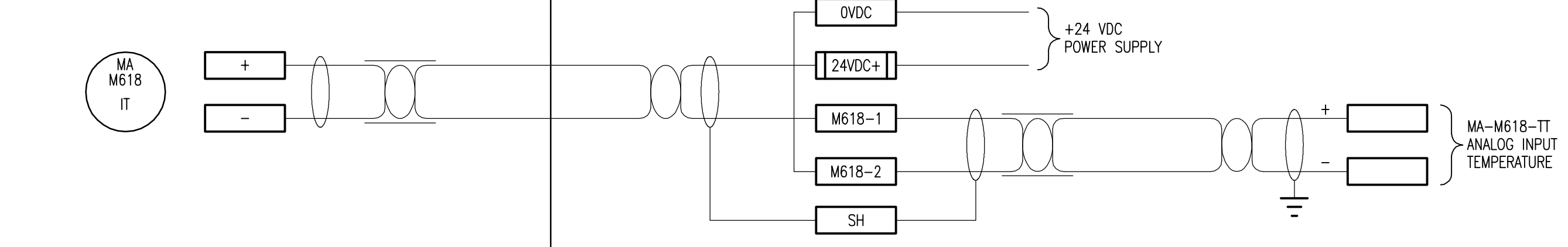
D SIZE 22" x 34" (559mm x 864mm)



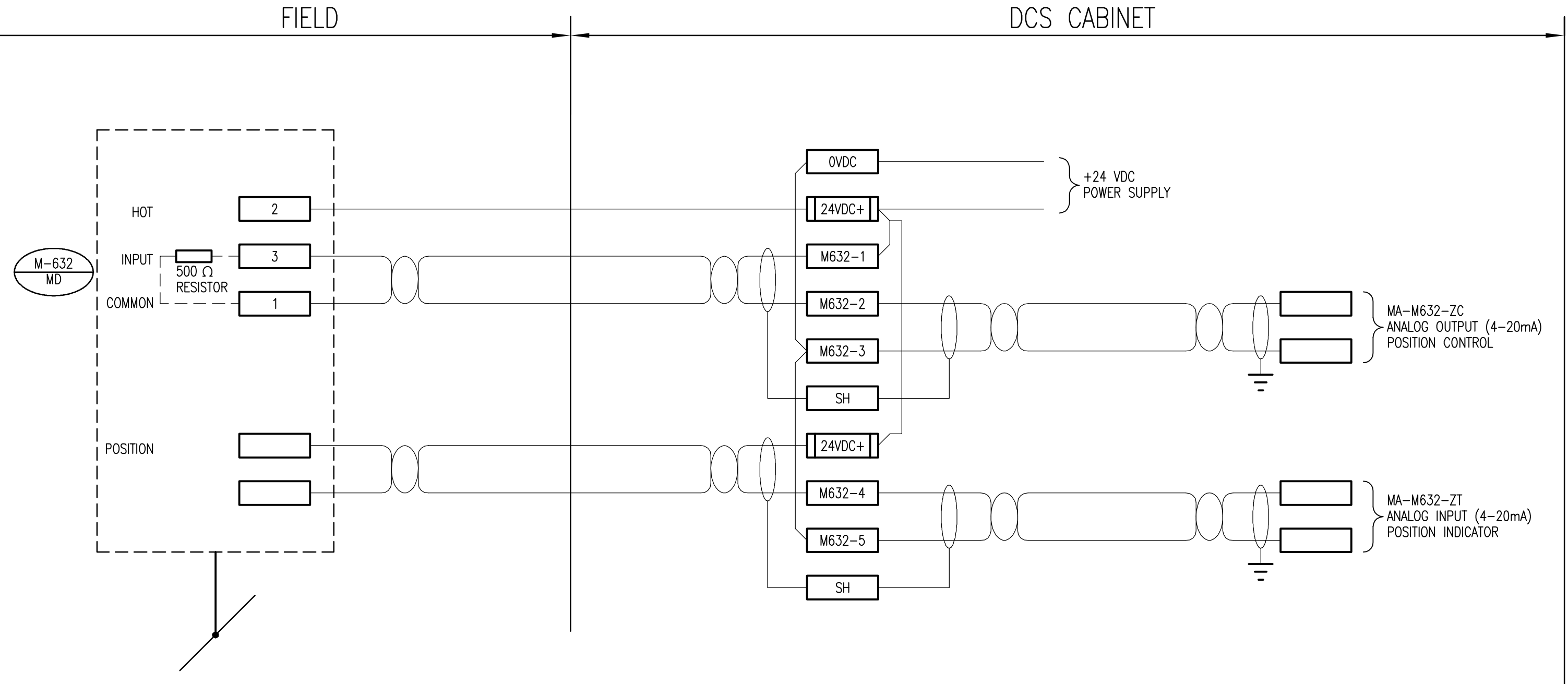
INSTRUMENT LOOP DIAGRAM FOR GAS DETECTOR MA-M920-GIT
TYPICAL FOR M921-GIT, M930-GIT, M931-GIT, M932-GIT



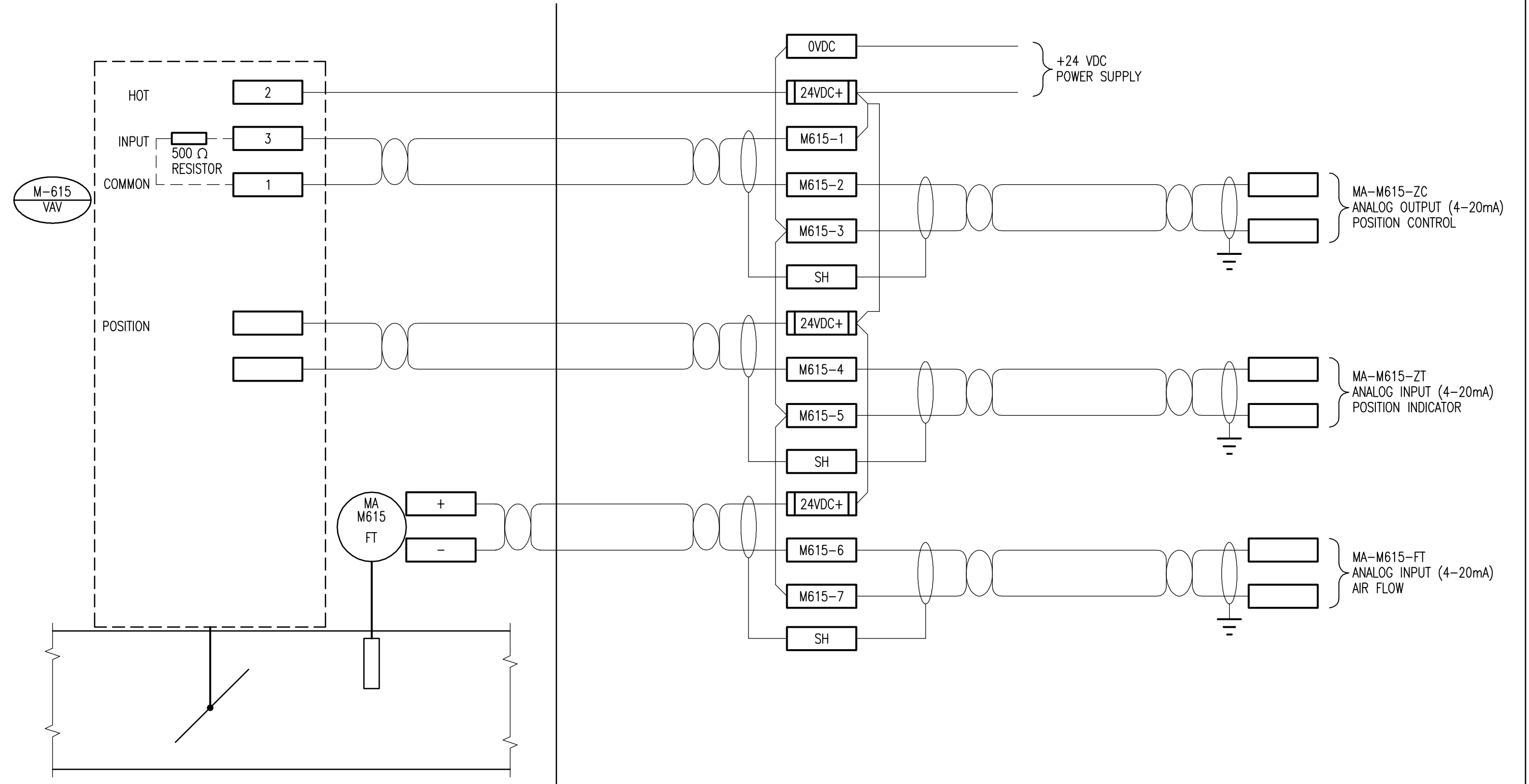
INSTRUMENT LOOP DIAGRAM FOR DIFFERENTIAL PRESSURE TRANSMITTER MA-M613-DPT
TYPICAL FOR M609-DPT



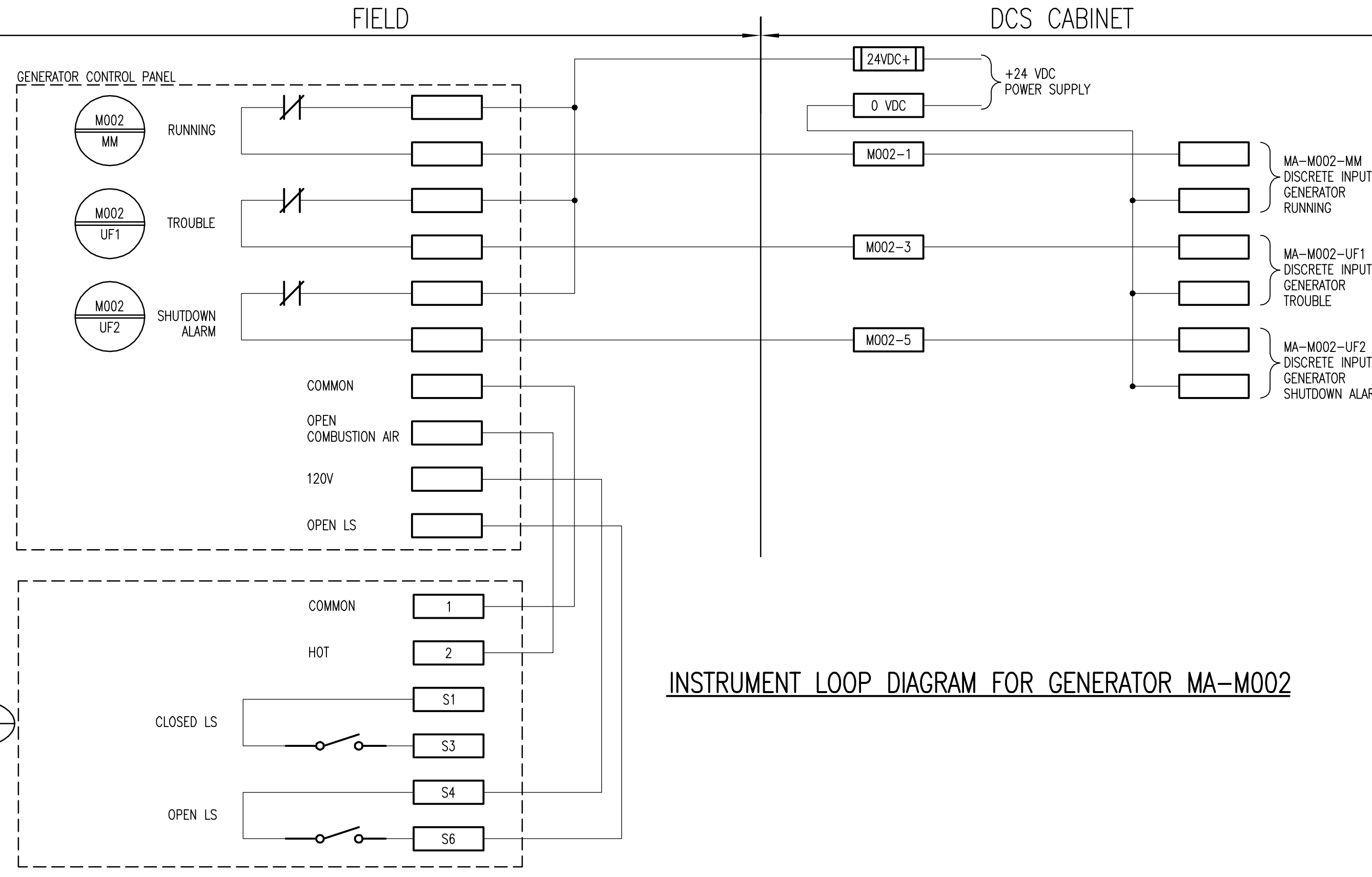
INSTRUMENT LOOP DIAGRAM FOR SPACE TEMPERATURE TRANSMITTER MA-M618-IT
TYPICAL FOR M619-IT, M636-IT, M639-IT



INSTRUMENT LOOP DIAGRAM FOR MOTORIZED DAMPER MA-M632-MD
TYPICAL FOR M623-MD, M624-MD



INSTRUMENT LOOP DIAGRAM FOR MOTORIZED DAMPER MA-M615-VAV
TYPICAL FOR M616-VAV, M617-VAV



INSTRUMENT LOOP DIAGRAM FOR GENERATOR MA-M002



QL	RS	BM	BM	BF
DRN	CHK	DES	ENG	IDR
UMA REVIEW				

B.M. ELEV.	FIELD BOOK #:
POSTED TO LBIS	
DESIGNED BY	BLM
CHECKED BY	----
DRAWN BY	SCK
APPROVED BY	-
HOR. SCALE AS NOTED	RELEASED FOR CONSTRUCTION
VERTICAL AS NOTED	
A ISSUED FOR BID	07/12/14 SCK
NO. REVISIONS	DATE BY FILENAME: D265-202-02_00-IL0001_RX.dwg

ENGINEER'S SEAL

ISSUE / REVISION D
ISSUED FOR BID
WAS SEALED BY
B.L. MOORE
AND DATED
07/12/14

THE CITY OF WINNIPEG
WATER AND WASTE DEPARTMENT

PERIMETER ROAD PUMPING STATION UPGRADES
Contract B - Building Upgrades

Instrument Loop Diagrams
HVAC

CITY DRAWING NUMBER: **1-0111L-E0015**

SHEET: **001** REV. **A** SIZE **D**

UMA FILE NAME: D265-202-02_00-IL0001_RX.dwg Saved By: SCHWEN