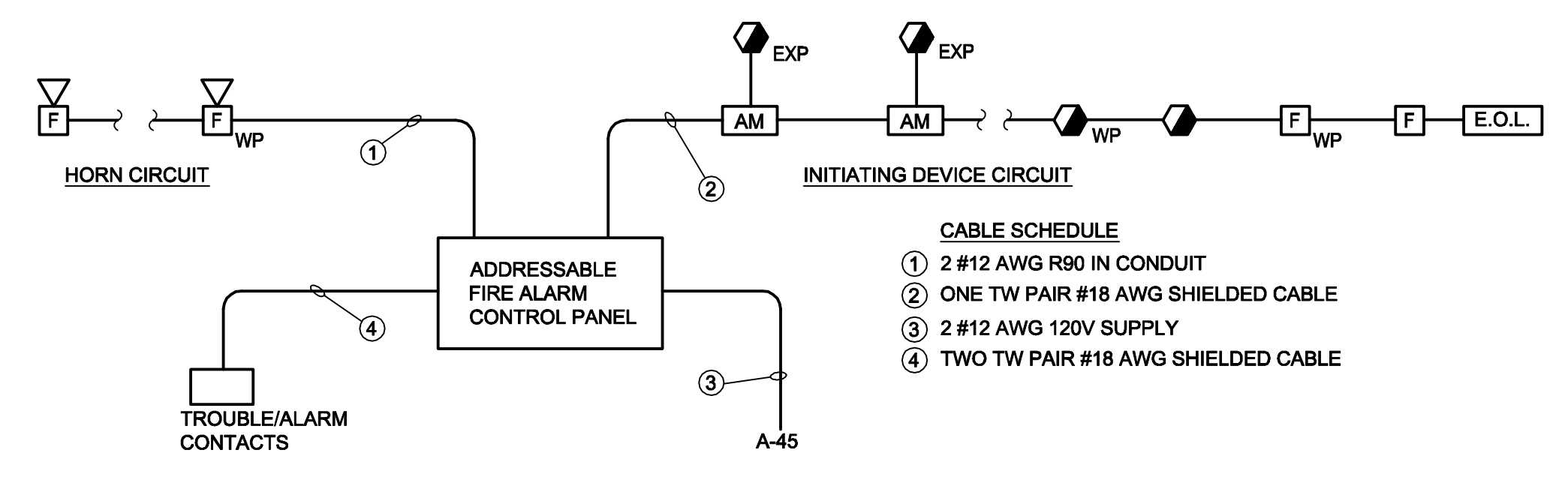


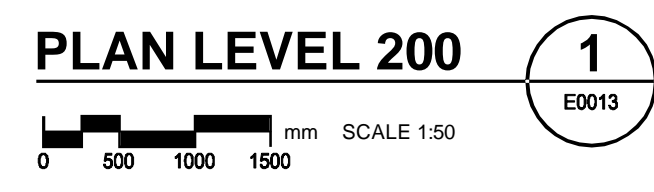
AREA CLASSIFICATION

WET WELL	LEVEL 200 LEVEL 300	CLASS 1 DIV. 2
DRY WELL	LEVEL 200 LEVEL 300 LEVEL 400	CATAGORY 2 CATAGORY 2 CATAGORY 2
ELECTRICAL ROOM	LEVEL 400	ORDINARY
GENERATOR ROOM	LEVEL 400	ORDINARY
CONTROL ROOM	LEVEL 400	ORDINARY
EAST STAIRWELL	LEVEL 200 LEVEL 300 LEVEL 400	CATAGORY 2
SOUTH STAIRWELL	LEVEL 300 LEVEL 400	CLASS 1 DIV. 2



- CABLE SCHEDULE**
- ① 2 #12 AWG R90 IN CONDUIT
 - ② ONE TW PAIR #18 AWG SHIELDED CABLE
 - ③ 2 #12 AWG 120V SUPPLY
 - ④ TWO TW PAIR #18 AWG SHIELDED CABLE

FIRE ALARM BLOCK DIAGRAM
SCALE: N.T.S.



APEGM
Certificate of Authorization
UMA Engineering Ltd. (MB)
No. 256 Date: 07/12/14

QL	RS	BM	BM	BF
DRN	CHK	DES	ENG	IDR
UMA REVIEW				

B.M. ELEV.	FIELD BOOK #:	UMA AECOM	
POSTED TO LBIS		DESIGNED BY: BM/LK	CHECKED BY: -----
		DRAWN BY: SCK	APPROVED BY: -
D ISSUED FOR BID	07/12/14	LJV	
C ISSUED FOR 100% REVIEW	07/11/09	SCK	
B ISSUED FOR ZONING	07/08/21	SCK	
A ISSUED FOR 80% REVIEW	07/06/18	SCK	
NO. REVISIONS	DATE	BY	FILENAME: D265-202-02_03-E-0201_RX.dwg

ENGINEER'S SEAL

ISSUE / REVISION D
ISSUED FOR BID
WAS SEALED BY
B.L. MOORE
AND DATED
07/12/14

THE CITY OF WINNIPEG
WATER AND WASTE DEPARTMENT

PERIMETER ROAD PUMPING STATION UPGRADES
Contract B - Building Upgrades

Electrical - Emergency Systems
LEVEL 200 FLOOR PLAN

CITY DRAWING NUMBER	SHEET	REV.	SIZE
1-0111L-E0012	001	D	D