

FILE NAME:

DATE:

DESCRIPTION:

PROJECT No:

ADDRESS:

NOTES :

HELIFIX INSTALLATION PROCEDURES

INSTALL HELIFIX STAINLESS STEEL TIES INTO EXTERIOR STONE CLADDING. (DRYFIX TECHNIQUE) AT SPECIFIED SPACING. PATCH ALL PENETRATIONS TO MATCH EXISTING SURFACE USING DOW CORNING 790 SEALANT.

• A 8.0mm ENTRY HOLE SHALL BE PREDRILLED THROUGH THE EXISTING STONE PANEL AND CONTINUOUSLY DRILLED INTO THE PRE-CAST CONCRETE STRUCTURAL BACK-UP TO A HORIZONTAL PENETRATION DEPTH OF NOT LESS THAN 3.00". THIS DRILL PROCEDURE IS TO BE CARRIED OUT BY MEANS OF A HIGH SPEED ELECTRIC HAMMER DRILL (3 JAW CHUCK TYPE).

• NOTE: A DRYFIX SUPPORT TOOL MAY BE REQUIRED WHEN INSTALLING LONGER LENGTHS OF HELIFIX TIE INTO DENSE CONCRETE UNITS.

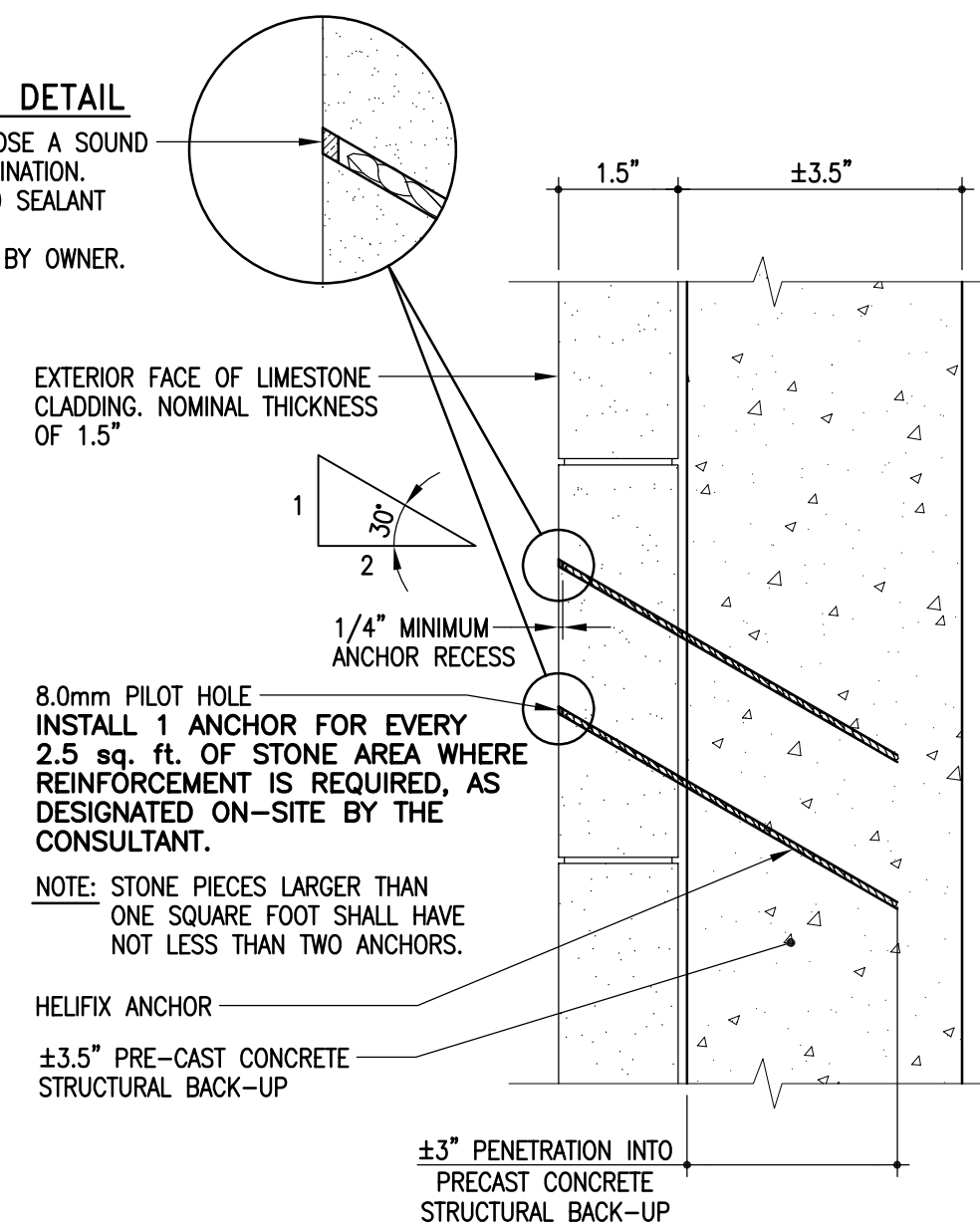
• THE 10mm HELIFIX 304 STAINLESS STEEL ANCHOR SHALL THEN BE DRIVEN INTO POSITION WITH A HELIFIX 'DRYFIX' POWER TOOL MOUNTED ON AN S.D.S. TYPE CONCRETE HAMMER DRILL AND RECESSED 1/4" FROM THE SURFACE. THE STONE SHALL THEN BE PATCHED AT THE LOCATIONS OF THE PENETRATIONS TO MATCH EXISTING ADJACENT STONE SURFACE AS PER SPECIFICATIONS.

• CONTRACTOR TO OBTAIN ALL RELEVANT DRILL BITS AND SETTING TOOLS FROM HELIFIX CORPORATION OF NORTH AMERICA LIMITED.

• SEE SPECIFICATION REGARDING FURTHER INFORMATION WITH RESPECT TO METHODS AND MATERIALS.

WEATHER SEALING DETAIL

- CLEAN SUBSTRATE TO EXPOSE A SOUND SURFACE FREE OF CONTAMINATION.
- INSTALL DOW CORNING 790 SEALANT DRY TOOLING ONLY.
- COLOUR TO BE APPROVED BY OWNER.



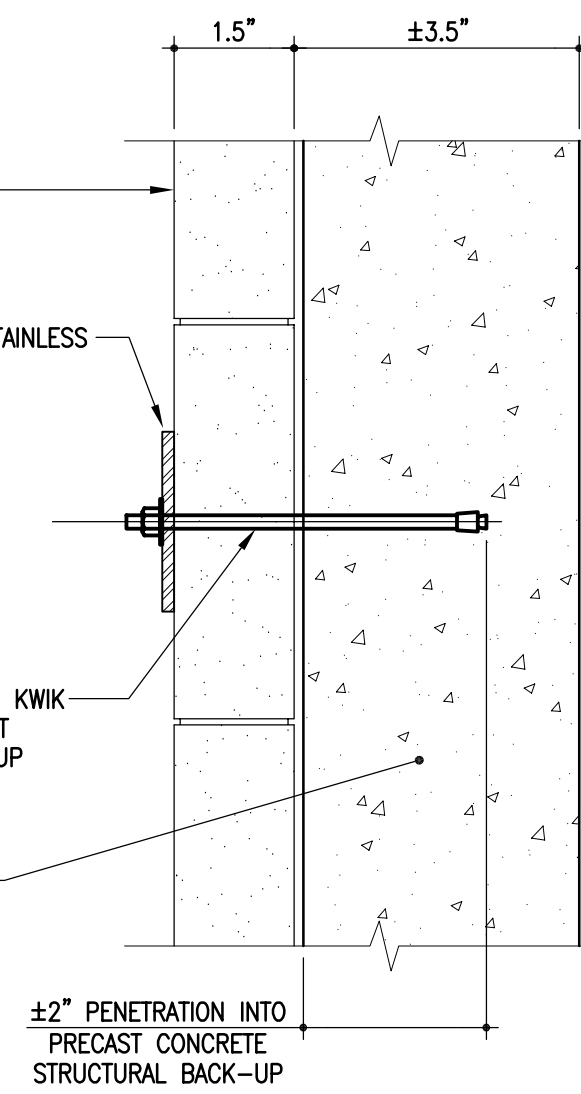
A HELIFIX ANCHOR DETAIL
SK-2 N.T.S. UNIT PRICE

EXTERIOR FACE OF LIMESTONE CLADDING. NOMINAL THICKNESS OF 1.5"

• TYPE 302, 16 GAUGE THICK STAINLESS STEEL STRAPPING
• WHERE EDGE DISTANCE TO CENTRE LINE OF STRAPPING EXCEEDS 4", USE 2 ANCHORS.

TYPE 304 OR 316 10mm HILTI KWIK BOLT II, SET 2" INTO PRE-CAST CONCRETE STRUCTURAL BACK-UP

±3.5" PRE-CAST CONCRETE STRUCTURAL BACK-UP



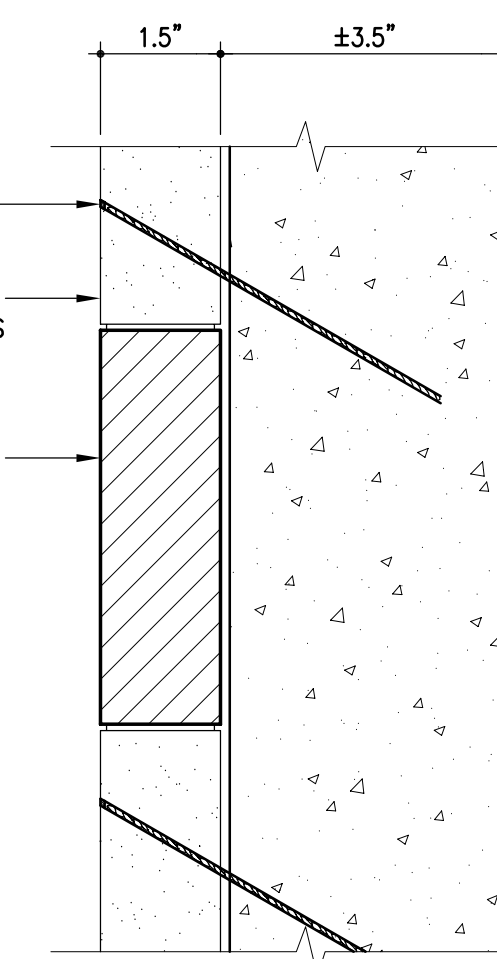
B HILTI KWIK BOLT II STRAPPING DETAIL
SK-2 N.T.S. UNIT PRICE

8 HELIFIX ANCHORS AROUND PERIMETER OF REMOVAL AREA

EXTERIOR FACE OF LIMESTONE CLADDING. NOMINAL THICKNESS OF 1.5"

REMOVE ENTIRE STONE PANEL IDENTIFIED BY CONSULTANT. DO NOT

±3.5" PRE-CAST CONCRETE STRUCTURAL BACK-UP



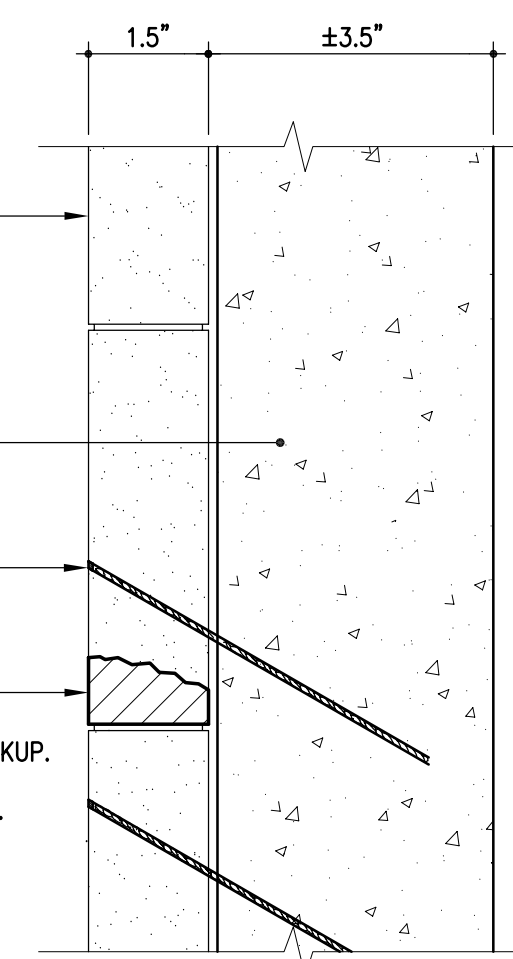
C STONE PANEL REMOVAL
SK-2 N.T.S.

EXTERIOR FACE OF LIMESTONE CLADDING. NOMINAL THICKNESS OF 1.5"

±3.5" PRE-CAST CONCRETE STRUCTURAL BACK-UP

HELIFIX ANCHORS EACH SIDE (2)

- REMOVE ALL UNSOUND STONE MATERIAL IDENTIFIED BY THE CONSULTANT.
- DO NOT DAMAGE PRECAST CONCRETE BACKUP.
- WEATHER SEAL ENTIRE PERIMETER OF REMOVED STONE WITH DOW CORNING 790.



NO.	REVISION/DESCRIPTION	BY	DATE
SEALS			

DRAWN BY	TW	CHECKED BY	APPROVED
DATE	2007.06.11	USER APPROVAL	

CITY OF WINNIPEG
 PLANNING, PROPERTY &
 DEVELOPMENT DEPARTMENT
 CIVIC ACCOMMODATIONS DIVISION
 300 - 65 GARRY ST. R3C 4K4

PROJECT
PUBLIC SAFETY BUILDING
 151 PRINCESS STREET
 2006 CLADDING STABILIZATION
 WINNIPEG, MANITOBA

SHEET TITLE
DETAILS AND NOTES

SCALE	PROJECT NO.	SHEET NO.
AS NOTED	2007-494	SK-2