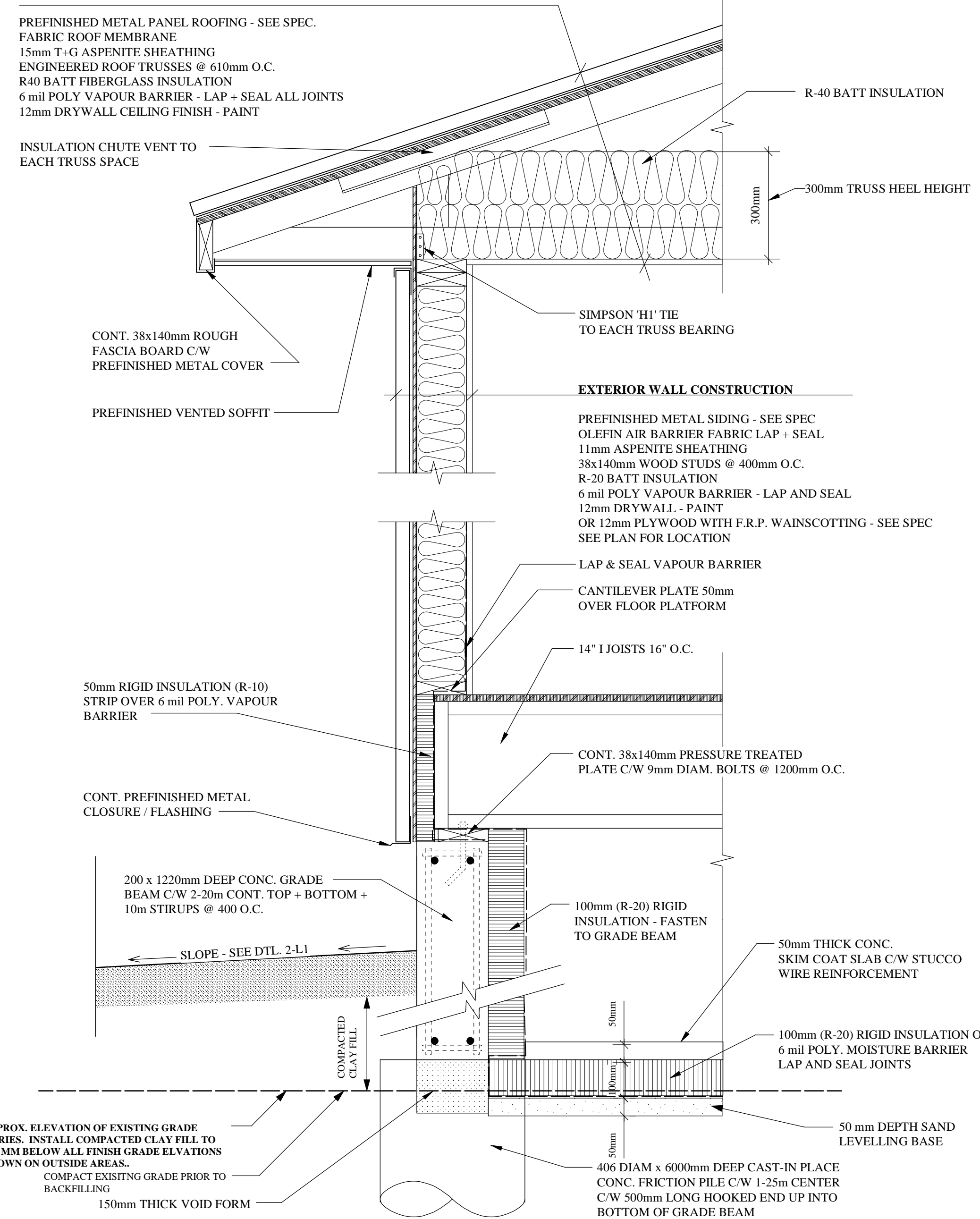
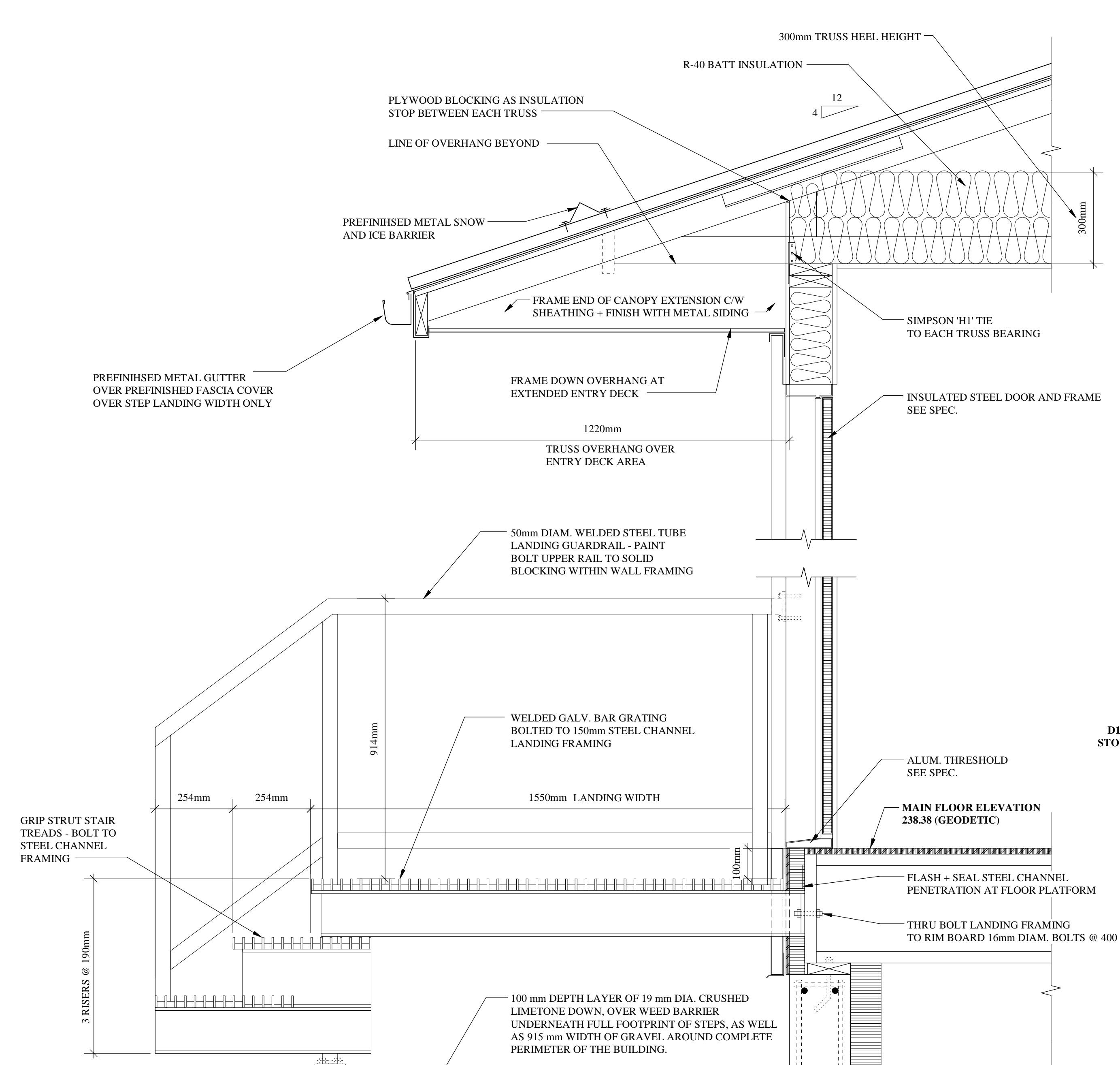


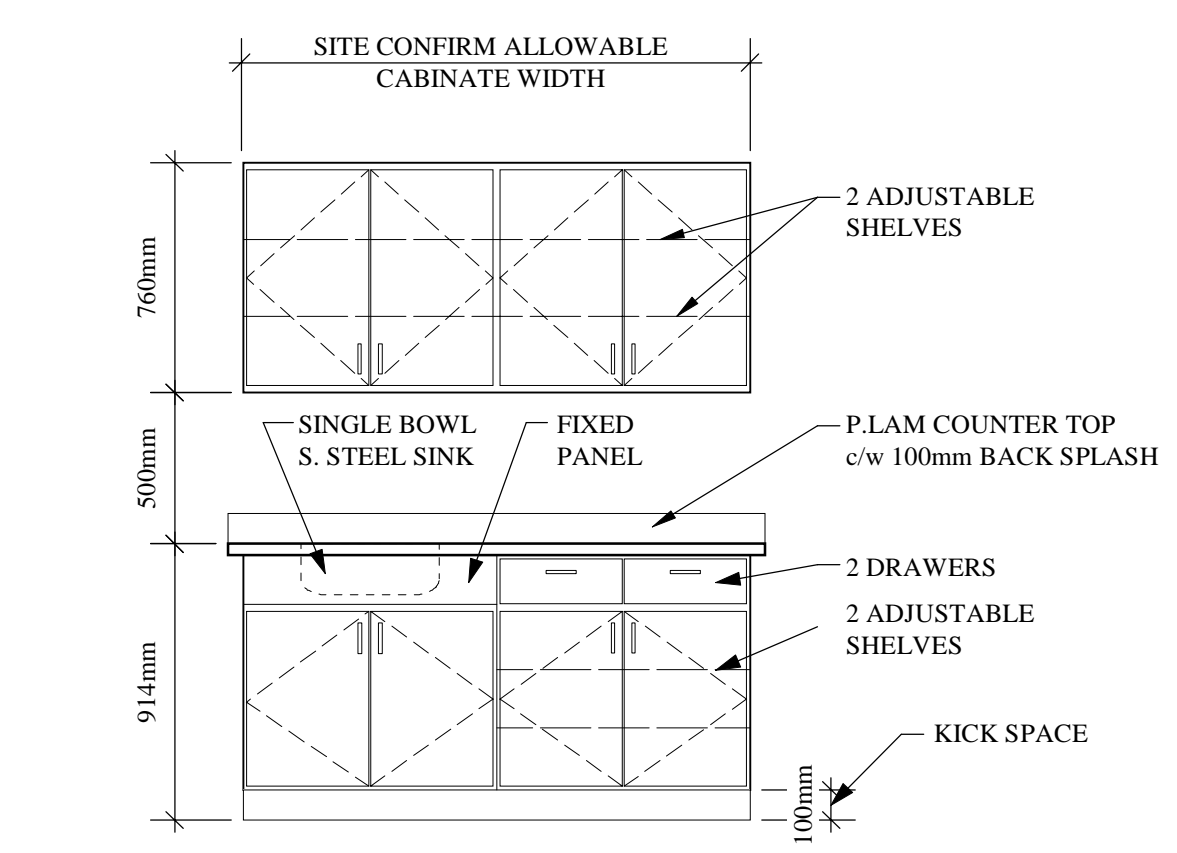
ROOF CONSTRUCTION



1 TYPICAL EXTERIOR WALL SECTION
A2 Scale: 1:10

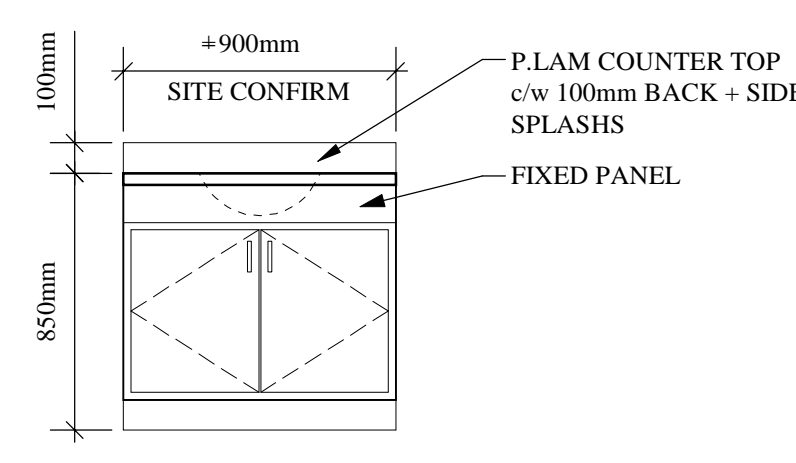


2 EXTERIOR WALL SECTION @ ENTRY DECK
A2 Scale: 1:10

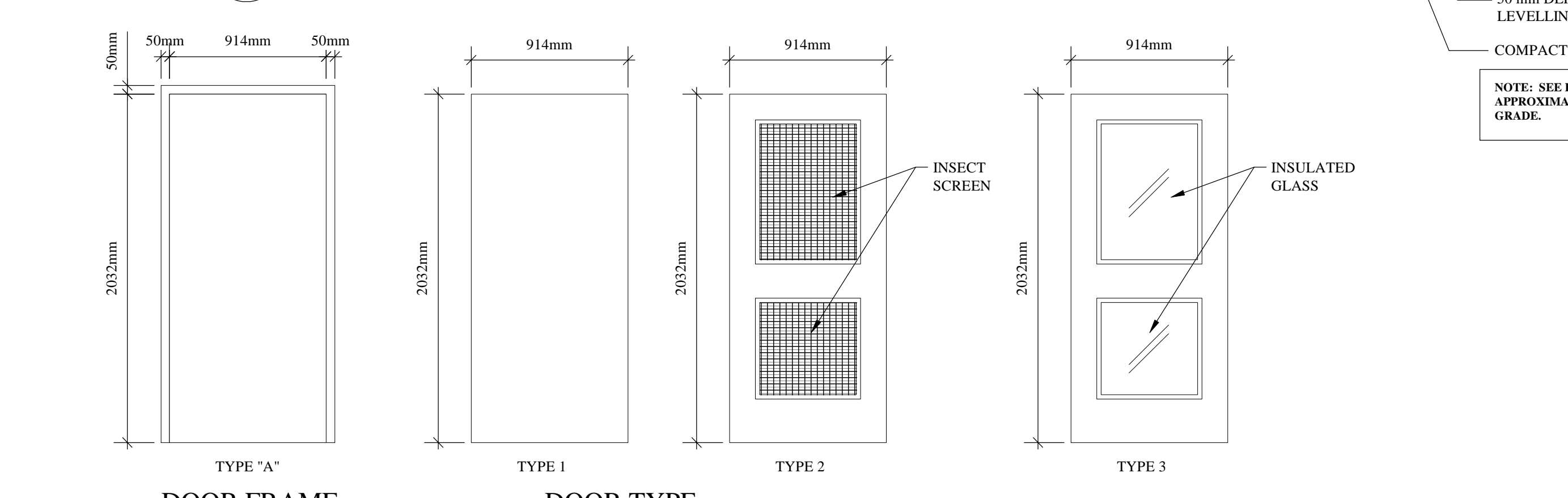
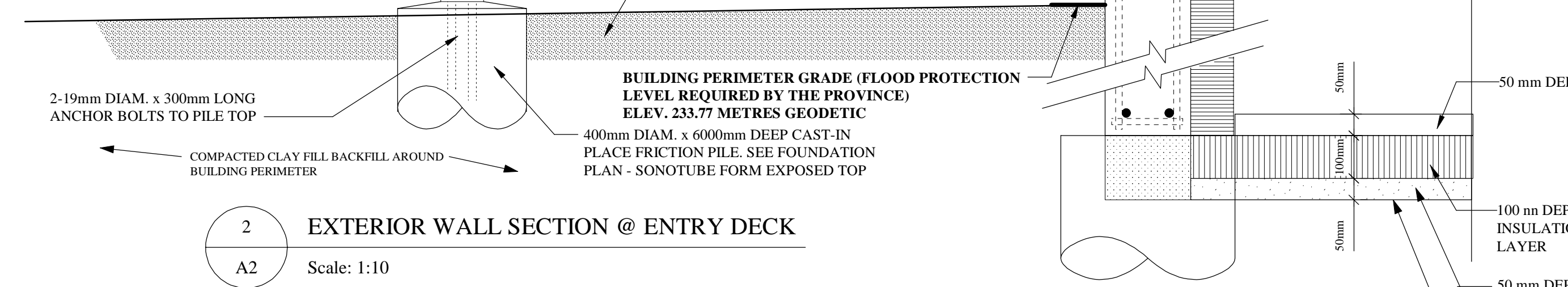


MILLWORK NOTES

ALL INTERIOR - EXTERIOR SURFACES OF CABINETE TO BE PREFINISHED MALEMINE - C/W SOLID PVC EDGING - COLOUR TO FUTURE SELECTION



4 MILLWORK ELEVATION B
A2 Scale: 1:25



4 DOOR FRAME ELEVATION
A2 Scale: 1:25

5 DOOR TYPE ELEVATIONS
A2 Scale: 1:25

DOOR SCHEDULE

- D100** 914 x 2032 x 44mm HOLLOW METAL TYPE 2 DOOR IN A TYPE 'A' HOLLOW METAL FRAME ALLMAR FG2 STEEL DOOR WITH REMOVABLE INSECT SCREEN PANELS
HARDWARE:
1 1/2 PAIR BUTTS - HEAVY DUTY BEARING
9507 EXTERIOR DOOR PULL c/w 100x400mm PLATE
KIA PUSH PLATE c/w 100x400mm PLATE
LCN - 1370 DOOR CLOSER
- D101** 914 x 2032 x 44mm HOLLOW METAL TYPE 3 DOOR IN A TYPE 'A' HOLLOW METAL FRAME ALLMAR FG2 STEEL DOOR WITH INSULATED TEMPERED GLASS INSERT PANELS + R11 POLYURETHANE FILL INSULATION
HARDWARE:
1 1/2 PAIR BUTTS - HEAVY DUTY BALL BEARING
D SERIES - SCHLAGE PASSAGE SET - ORBIT DESIGN - 626 FINISH
DEADBOLT - SCHLAGE B660 DEADBOLT
DOOR STOP - S100 DOME FLOOR MOUNTED STOP
ALUM. THRESHOLD c/w DOOR SWEEP + PERIMETER JAMB + HEAD FRAME WEATHERSTRIPPING
- D102 + D103** 914 x 2032 x 44mm SOLID CORE MASONITE PAINT GRADE TYPE 1 DOOR IN A TYPE 'A' HOLLOW METAL FRAME
HARDWARE:
1 1/2 PAIR BUTTS - HEAVY DUTY BALL BEARING
9507 EXTERIOR DOOR PULL c/w 100x400mm PLATE
KIA PUSH PLATE c/w 100x400mm PLATE
LCN - 1370 DOOR CLOSER
DOOR STOP - 3100 DOME FLOOR STOP
- D104 + D105** 914 x 2032 x 44mm SOLID CORE MASONITE PAINT GRADE TYPE 1 DOOR IN A TYPE 'A' HOLLOW METAL FRAME
HARDWARE:
1 1/2 PAIR BUTTS - HEAVY DUTY BALL BEARING
LOCKSET - SCHLAGE D-SERIES LOCKSET - ORBIT DESIGN - 626 FINISH
DOOR STOP - S100 DOME FLOOR MOUNTED STOP
- D106 + D107 TO COLD STORAGE BUILDING** 914 x 2032 x 44mm HOLLOW METAL TYPE 1 DOOR IN A TYPE 'A' HOLLOW METAL FRAME c/w R11 POLYURETHANE INSULATION
HARDWARE:
1 1/2 PAIR BUTTS - HEAVY DUTY BALL BEARING
LOCKSET - SCHLAGE D-SERIES LOCKSET - ORBIT DESIGN - 626 FINISH
DEADBOLT - SCHLAGE B660 DEADBOLT
LCN - 1370 DOOR CLOSER
ALUM. THRESHOLD c/w DOOR SWEEP + PERIMETER JAMB + HEAD FRAME WEATHERSTRIPPING
- D108 TO FUEL STORAGE BLDG** PROVIDE HEAVY DUTY PADLOCK TO SLIDING DOOR HASP.
- D109 TO FERTILIZER STORAGE BUILDING** PROVIDE HEAVY DUTY PADLOCK TO SLIDING DOOR HASP.

GENERAL NOTE:
ALL LOCKSETS + DEADBOLTS ARE TO BE KEYED TO MASTER KEY
PROVIDE 6 COPIES OF MASTER KEY

KEY NOTES:

REV	DATE (yyyy/mm/dd)	DESCRIPTION	BY
A	2007 / 06 / 04	ISSUED FOR REVIEW	DB

DRAWINGS AND SPECIFICATIONS, INCLUDING ELECTRONIC INFORMATION, AS INSTRUMENTS OF SERVICE ARE THE PROPERTY OF THE ARCHITECT. THE COPYRIGHT IN THE SAME BEING RESERVED TO THE ARCHITECT. NO REPRODUCTION MAY BE MADE WITHOUT THE PERMISSION OF THE ARCHITECT AND WHEN MADE MUST BEAR HIS NAME. ALL PRINTS ARE TO BE RETURNED TO THE ARCHITECT. THIS DOCUMENT SHALL NOT BE SCALED. FOLLOW GIVEN DIMENSIONS ONLY. THE CONTRACTOR SHALL VERIFY THAT ALL DIMENSIONS AND INFORMATION SHOWN IS CORRECT AND IS HELD RESPONSIBLE FOR REPORTING ANY DISCREPANCY TO THE ARCHITECT PRIOR TO COMMENCEMENT OF THE WORK. VARIATIONS AND MODIFICATIONS TO WORK SHOWN WILL NOT BE ALLOWED WITHOUT THE WRITTEN CONSENT OF THE ARCHITECT. THIS DOCUMENT SHALL NOT BE USED FOR BUILDING PURPOSES, UNLESS SEALED AND SIGNED BY THE CONSULTANT.

TECHNIC DESIGN + MANGEMENT
125 Wilwood Park, Winnipeg, MB R3T 0E1
Tel: (204) 475-1085 • Fax: (204) 284-6322

KEN RECH LANDSCAPE ARCHITECTS INC.
1480 Wellington Crescent Winnipeg, Manitoba
Fax 489-6852 R3N 0B3 Tel: (204) 489-6616

PROJECT TITLE
OFFICE STAFF BUILDING
CITY OF WINNIPEG TREE NURSERY

ST. NORBERT, MANITOBA

SHEET TITLE
SECTION / DETAILS SCHEDULES

SCALE	DATE	DRAWN	FILE
AS NOTED	JUNE 20, 2007	--	000000

SHEET NUMBER
A 2.0

