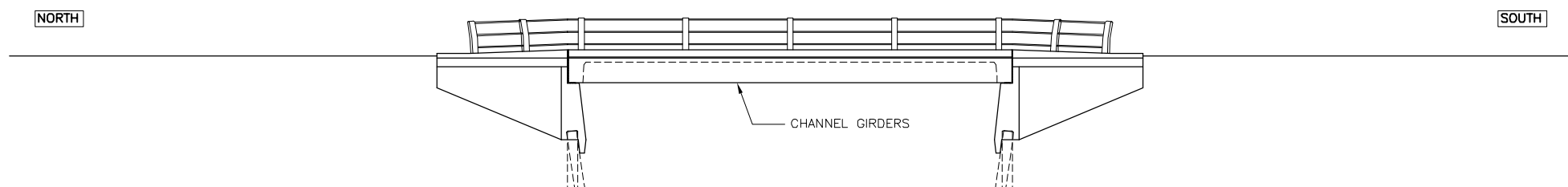
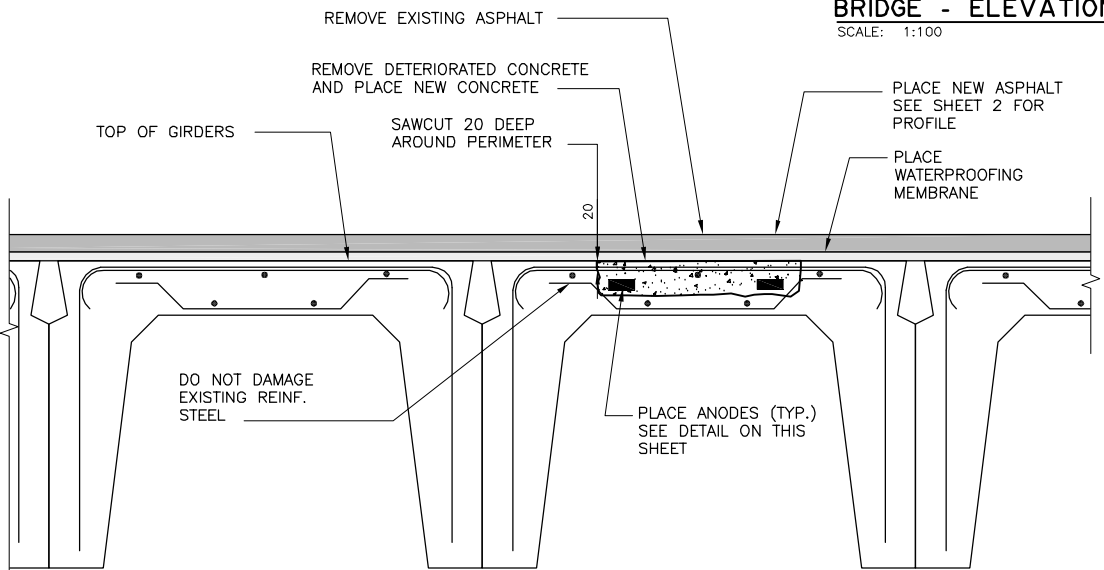


**BRIDGE - PLAN**  
SCALE: 1:100



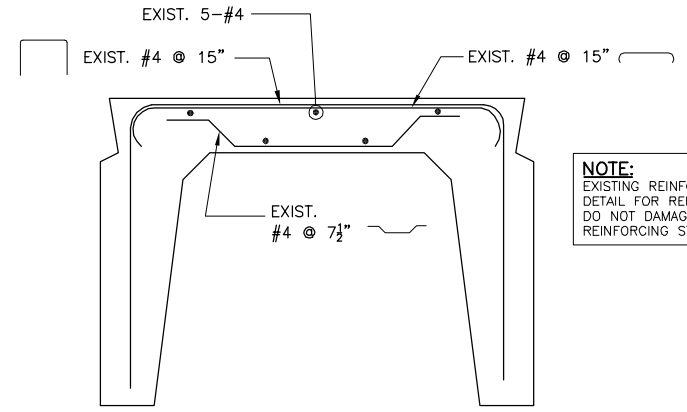
**BRIDGE - ELEVATION**  
SCALE: 1:100



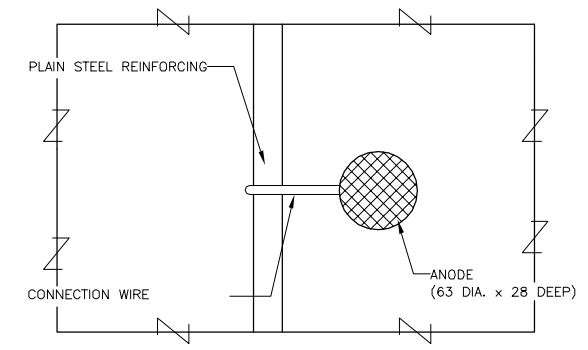
TYPICAL REPAIR OF CHANNEL GIRDERS

**SECTION**  
1:10

- CHANNEL GIRDER REPAIR PROCESS:**
1. PLANE AND/OR HAND REMOVE ASPHALT AREA TO EXPOSE TOP OF CONCRETE GIRDERS (APPROX DEPTH = 50mm). DO NOT DAMAGE CHANNEL GIRDERS.
  2. LAYOUT CONCRETE REPAIR AREAS IN FIELD WITH CONTRACT ADMINISTRATOR.
  3. SAWCUT MIN 20mm DEEP AROUND PERIMETER OF REPAIR AREA.
  4. REMOVE ALL FRACTURED OR DETERIORATED CONC. TO A MIN. DEPTH OF 50mm OR TO THE DEPTH OF DETERIORATION, WHICHEVER IS GREATER. DO NOT DAMAGE EXISTING REINFORCING STEEL.
  5. PLACE ANODES AROUND PERIMETER AND SPACE 500± mm APART.
  6. PLACE CONCRETE AS SPECIFIED.
  7. INSTALL WATERPROOFING MEMBRANE.
  8. RESURFACE WITH ASPHALT.



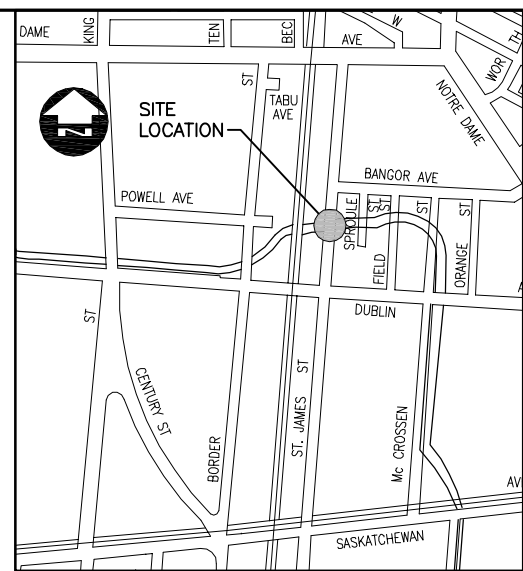
**TYPICAL GIRDER SECTION**  
1:20



**ANODE TO REBAR TYP. CONNECTION DETAIL**  
N.T.S.

- NOTES:**
1. THE CONTRACTOR WILL BE ALLOWED TO CLOSE ONLY ONE TRAFFIC LANE AT A TIME IN EACH DIRECTION.

**NOTE:**  
EXISTING REINFORCING STEEL DETAIL FOR REFERENCE ONLY. DO NOT DAMAGE EXISTING REINFORCING STEEL.

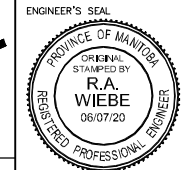


**LOCATION PLAN**

**METRIC**  
WHOLE NUMBERS INDICATE MILLIMETRES  
DECIMALIZED NUMBERS INDICATE METRES

**PRELIMINARY ONLY  
NOT FOR CONSTRUCTION**

|             |                        |          |     |          |  |
|-------------|------------------------|----------|-----|----------|--|
| B.M. ELEV.  |                        |          |     |          |  |
| DESIGNED BY | MRD                    |          |     |          |  |
| DRAWN BY    | MRD                    |          |     |          |  |
| CHECKED BY  | RAW                    |          |     |          |  |
| APPROVED BY | RAW                    |          |     |          |  |
| HOR. SCALE  | hor.                   |          |     |          |  |
| VERTICAL    | ver.                   |          |     |          |  |
| NO.         | REVISIONS              | DATE     | BY  | DATE     |  |
| 1           | ISSUED FOR TENDER      | 07/06/20 | MRD |          |  |
| 0           | ISSUED FOR CITY REVIEW | 07/06/13 | MRD |          |  |
|             |                        |          |     | MAY 2007 |  |



**THE CITY OF WINNIPEG**  
PUBLIC WORKS DEPARTMENT

2007 BRIDGE MAINTENANCE  
ST. JAMES STREET BRIDGE AT  
OMAND'S CREEK

CONCRETE GIRDER REPAIRS  
SHEET 1 OF 2

CITY DRAWING NUMBER  
**B126-07-01**  
SHEET 1 OF 2

BID OPP NO.  
469-2007

CONSULTANT PROJECT NO.  
07-7519-1000