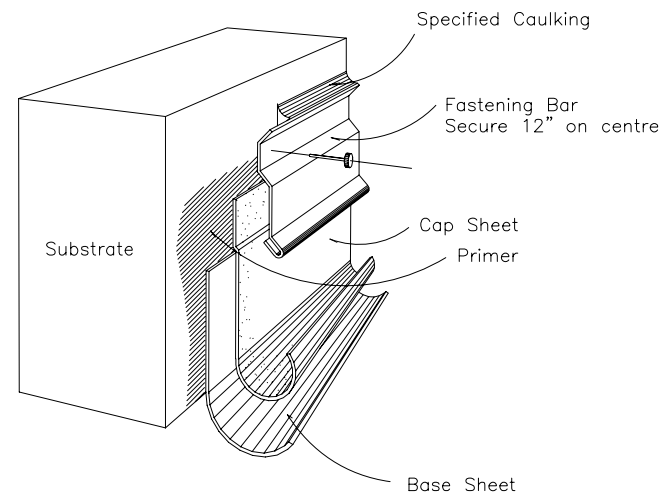
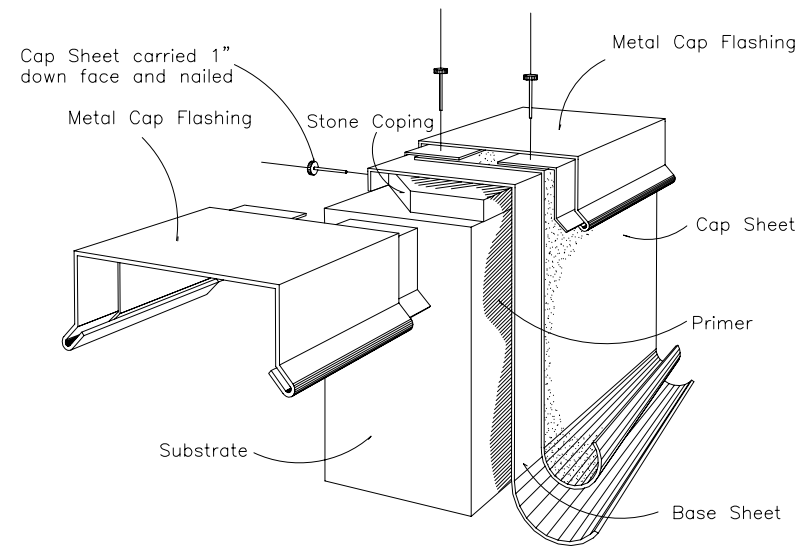


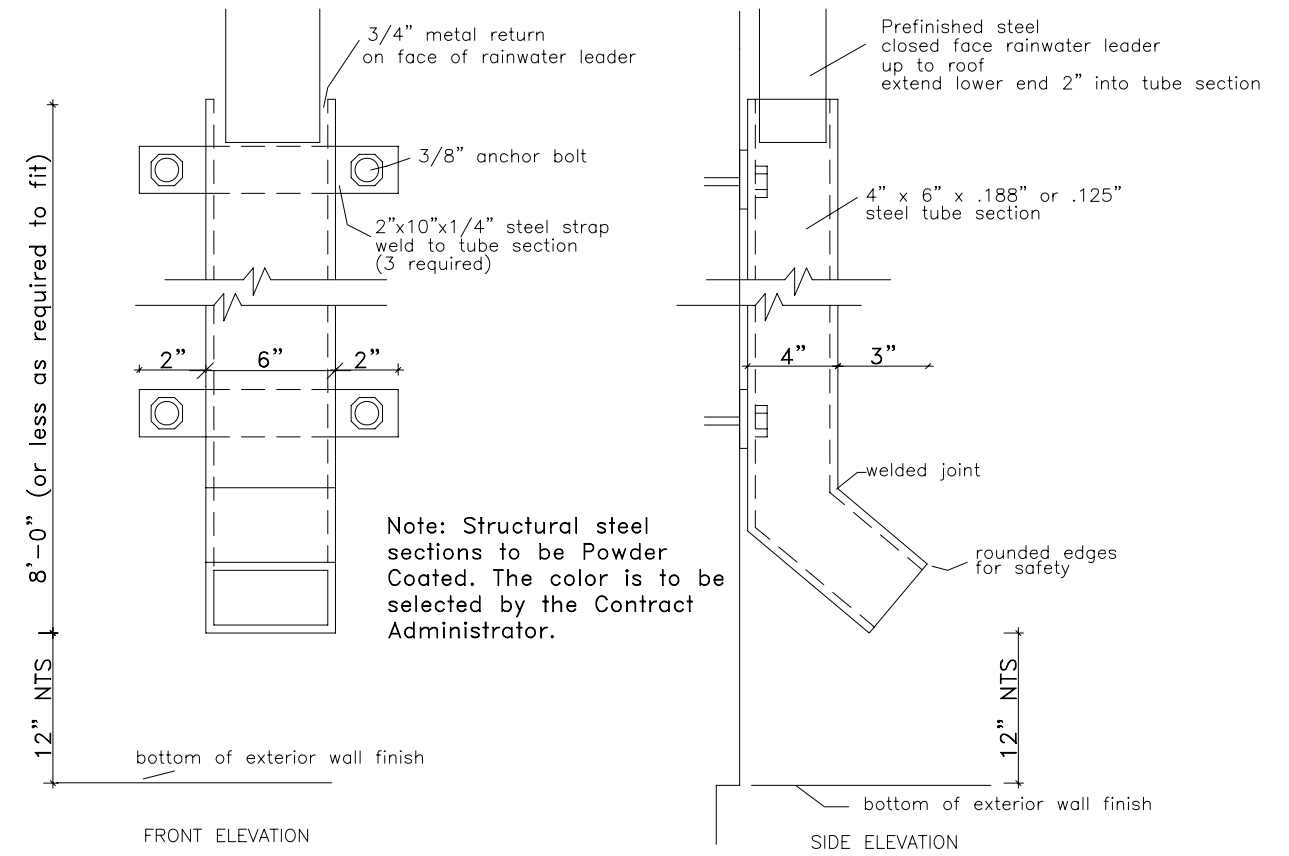
Typical Fastening Bar



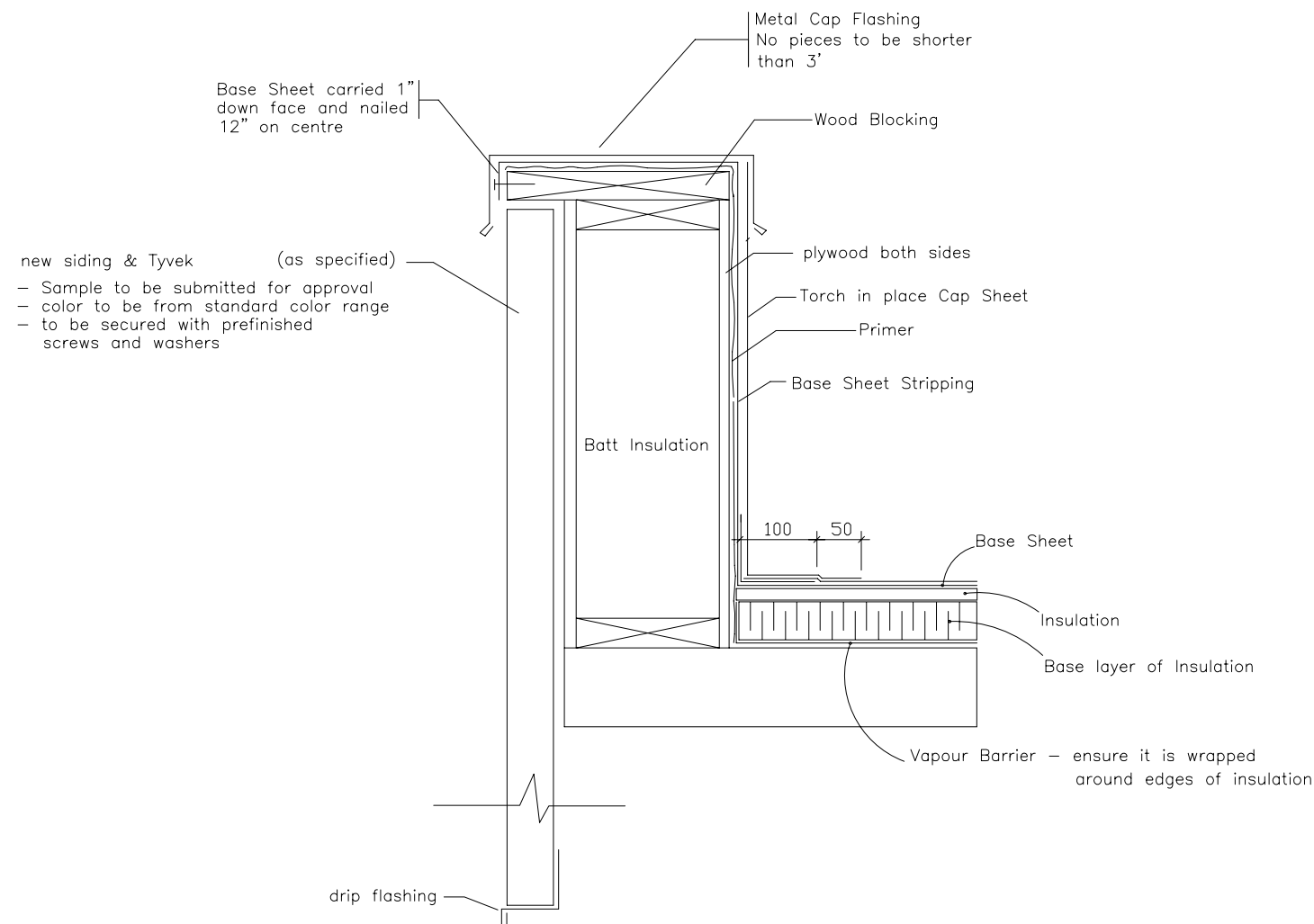
A2 Typical Parapet



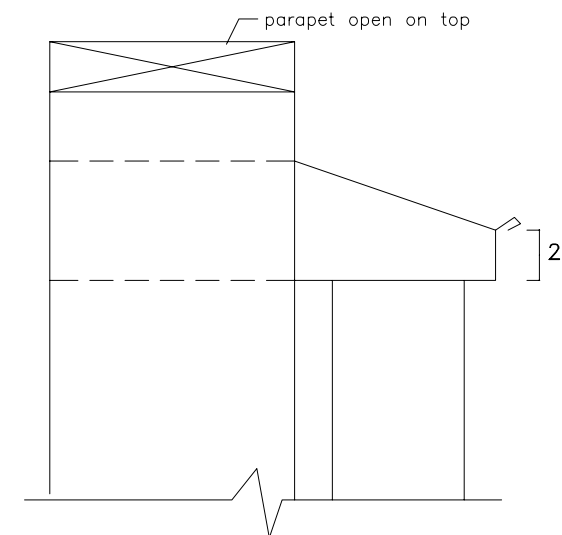
Structural Down Pipes



B2 Typical Parapet



Typical Scupper



Notes:
 Scupper shall be 4 sided through parapet
 Scupper shall be minimum 8" wide x 6" high

Note: Details are to be similar for inverted roof assemblies

AGASSIZ CONSULTING GROUP	
809 Pipeline Road, Winnipeg, Manitoba Phone: 697-8091 Fax: 697-8039	
Project:	Freight House 200 Isabel Street Winnipeg, MB
Date:	May 23, 2007
Drawing No.	D-1
File no:	3513-07
Scale:	N.T.S.