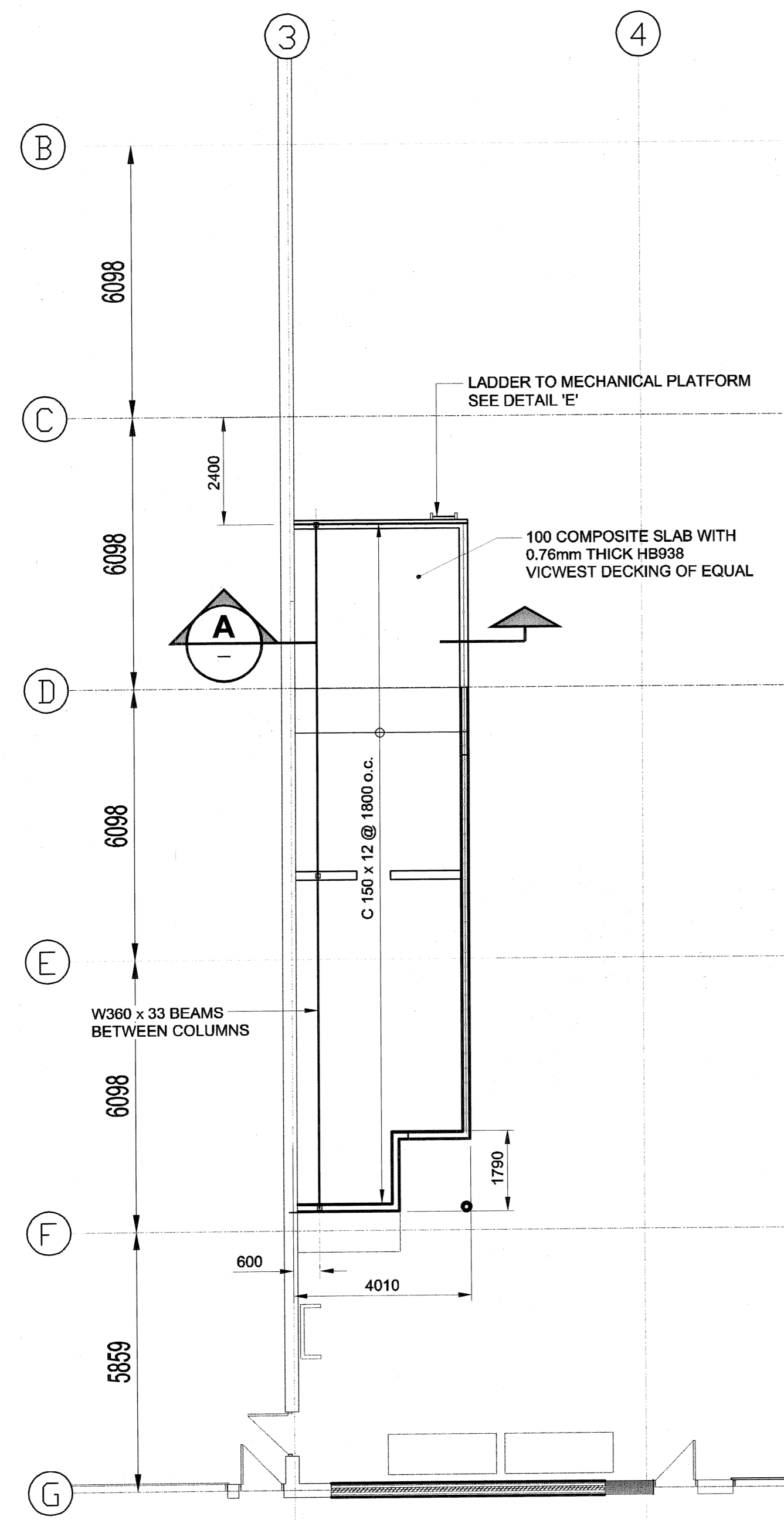
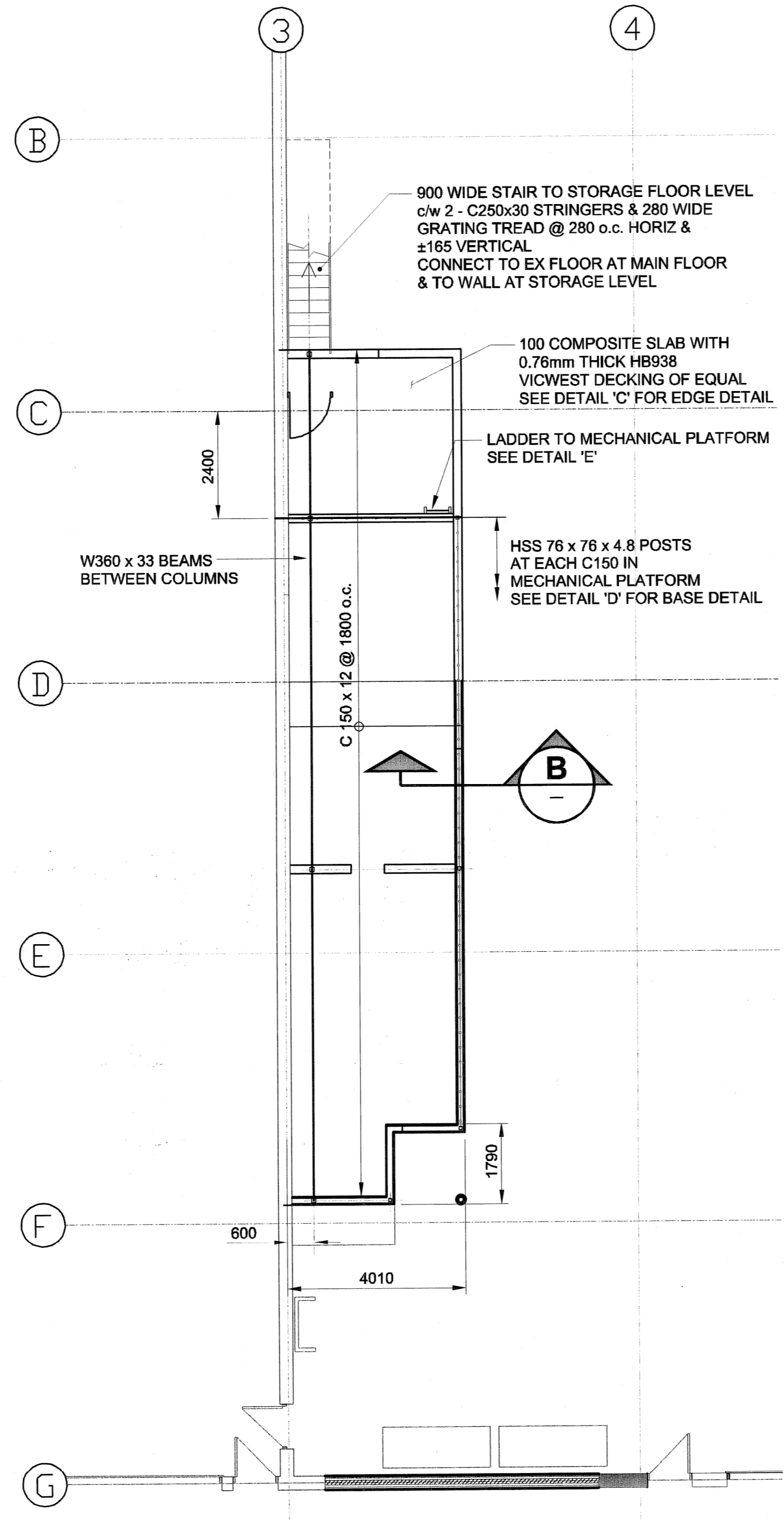


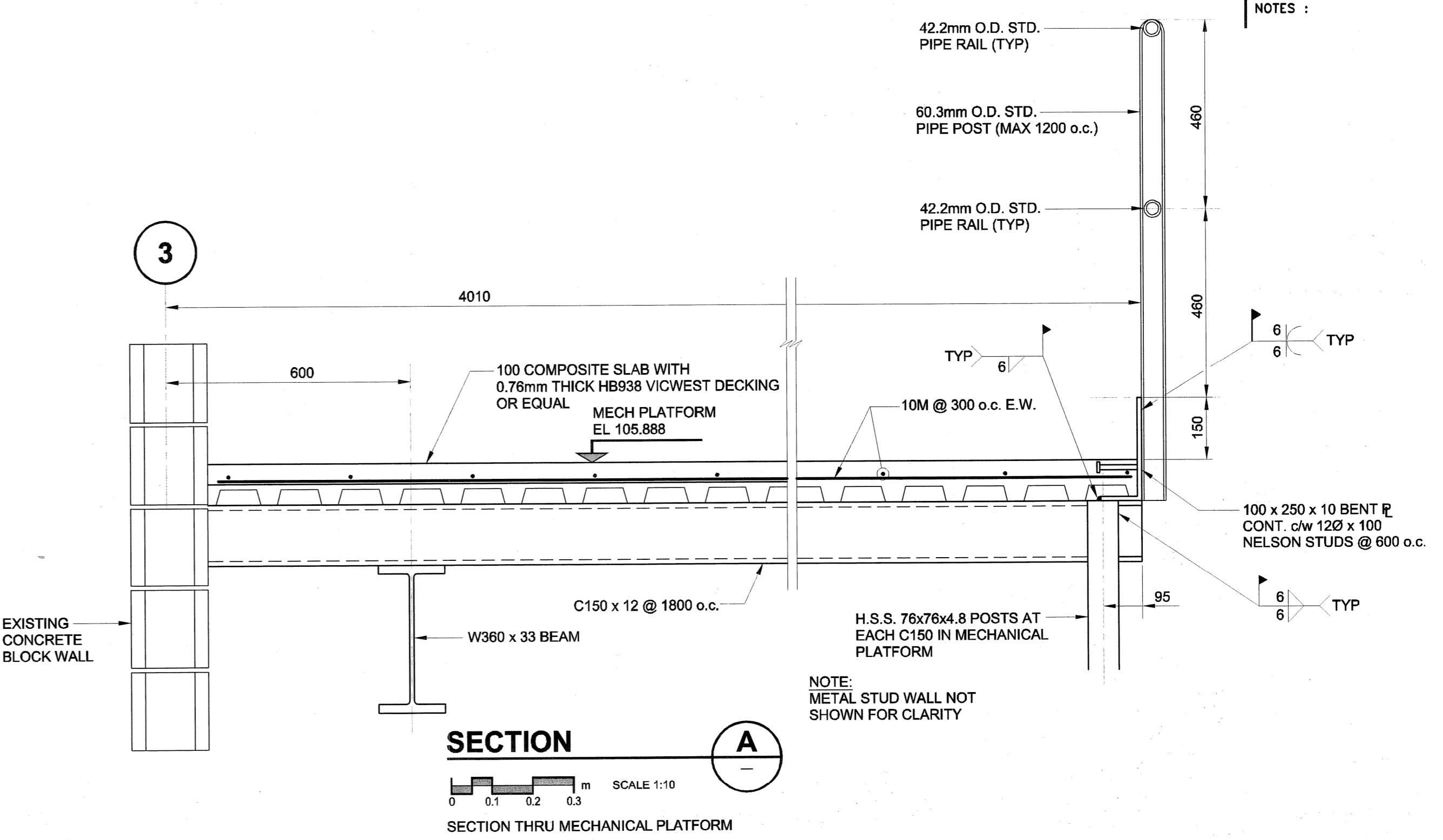
PROJECT No: 0265-395-02 ADDRESS: DATE: YEAR/MM/DD FILE NAME: 01-S-1002_RX.dwg/A1 DESCRIPTION: STRUCTURAL DETAILS



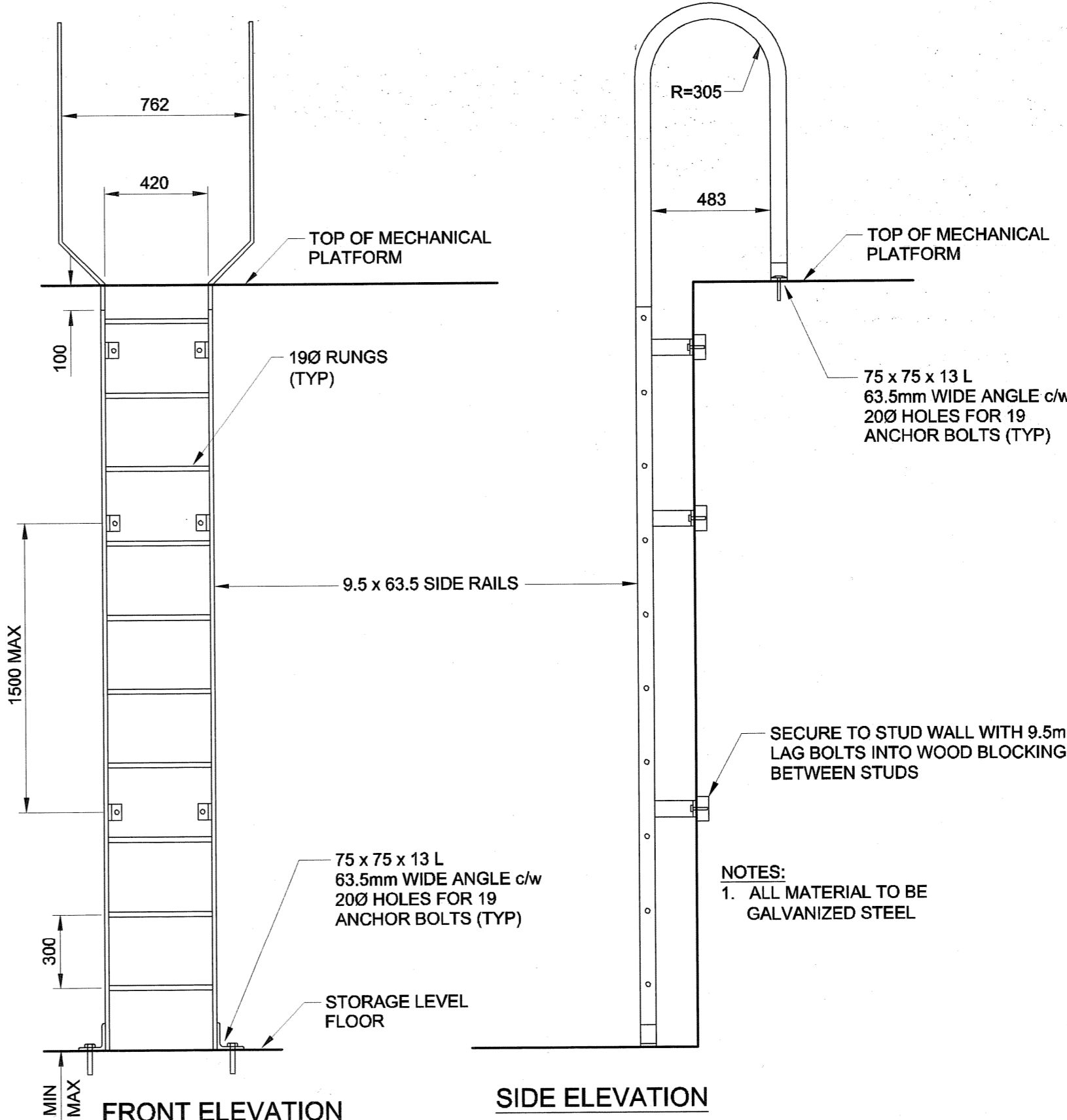
MECHANICAL PLATFORM & FRAMING
SCALE: 1:100



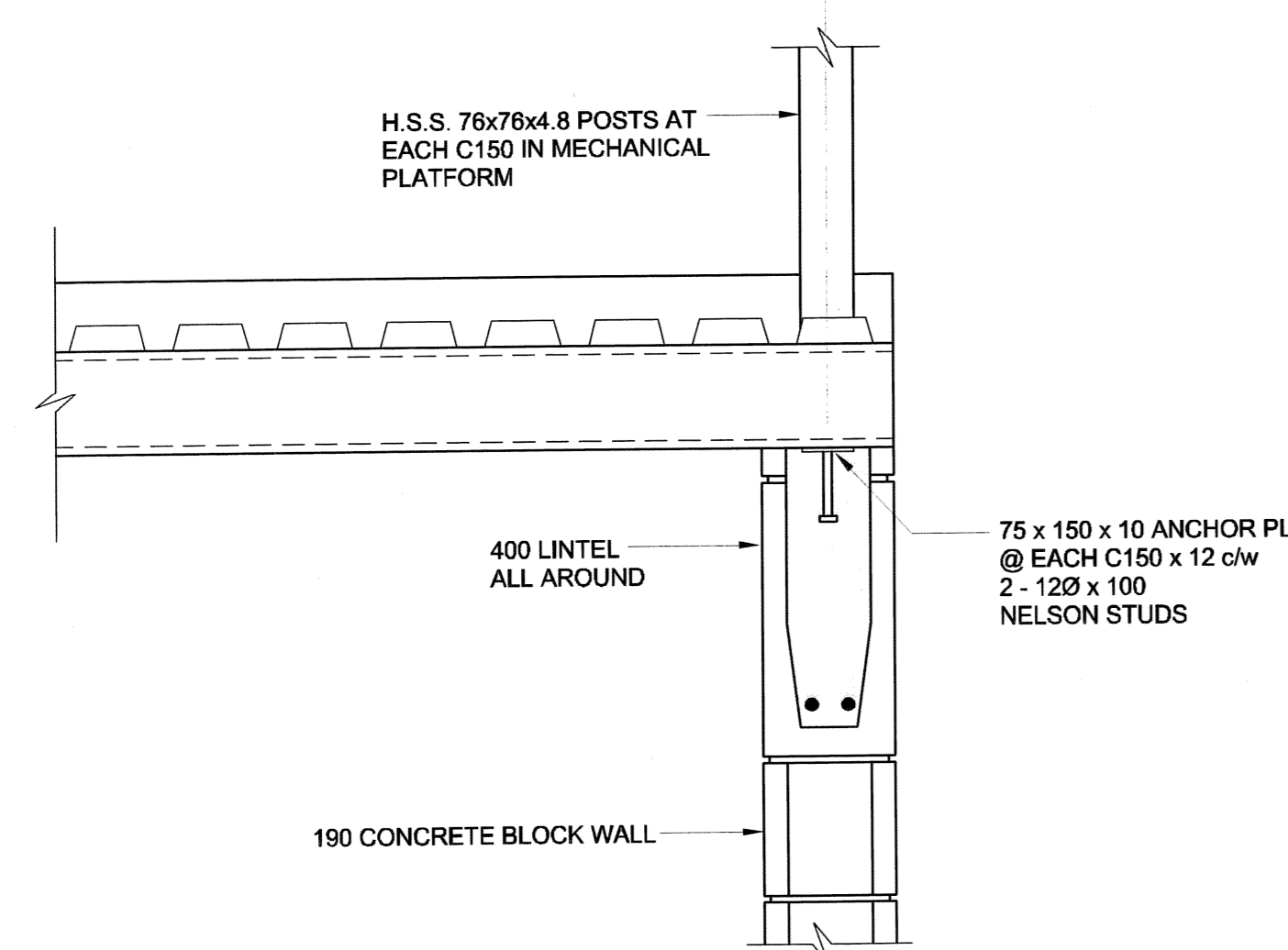
STORAGE LEVEL FLOOR & FRAMING
SCALE: 1:200



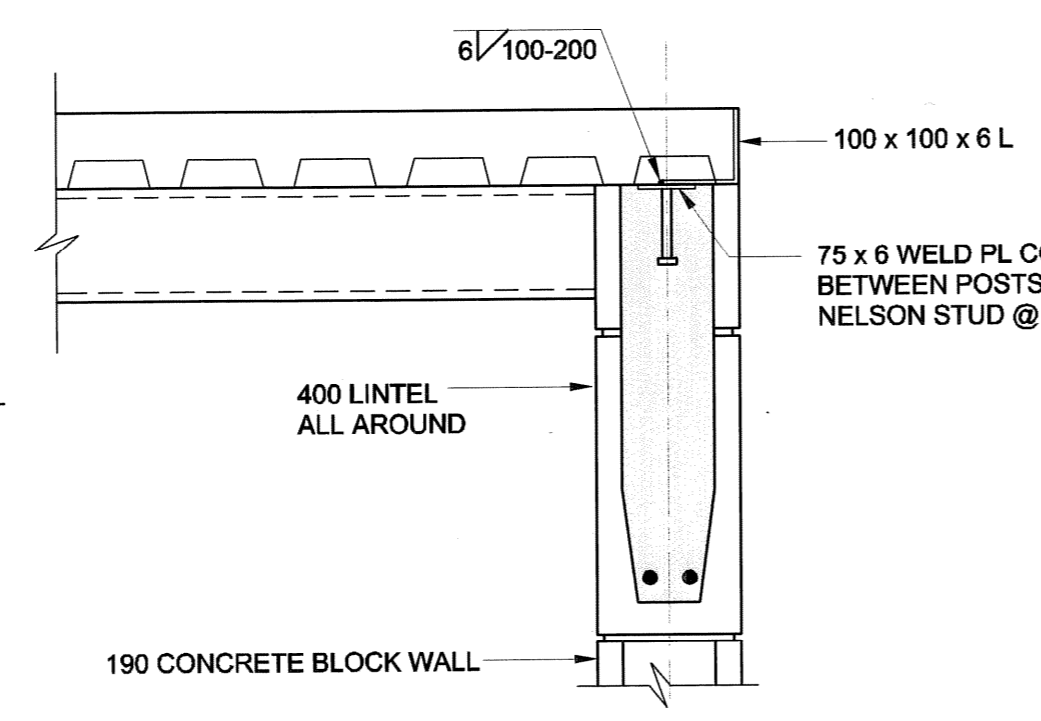
SECTION A
SECTION THRU MECHANICAL PLATFORM
SCALE: 1:10



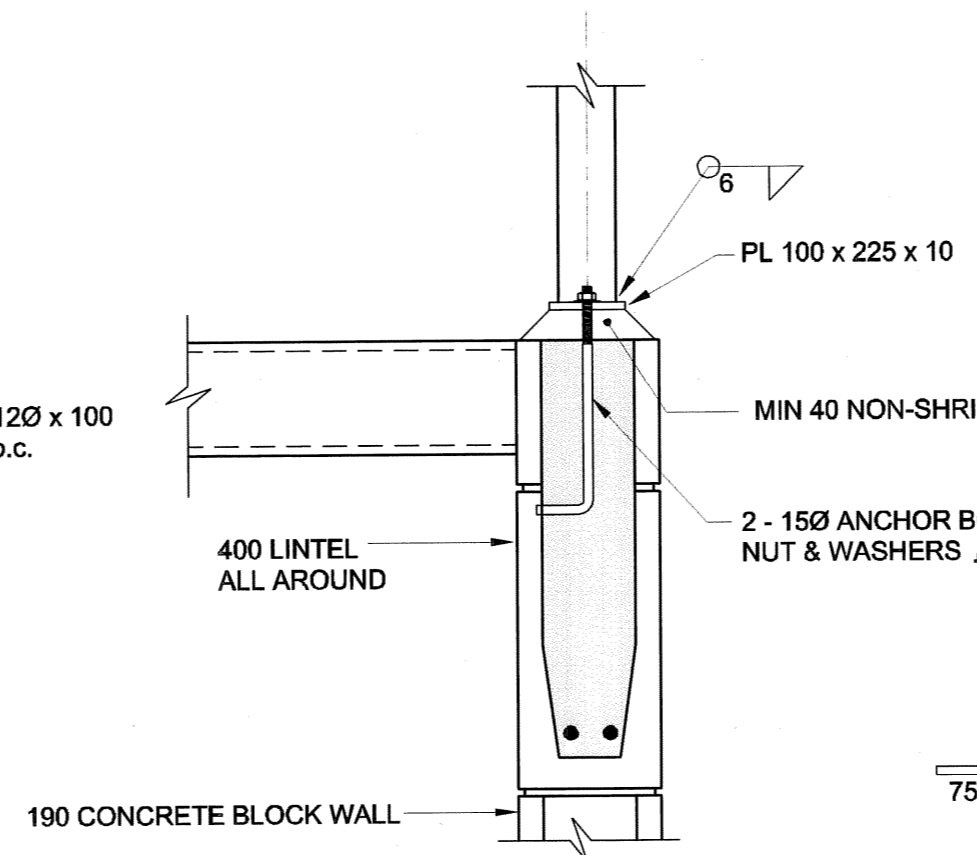
FRONT ELEVATION
SIDE ELEVATION



SECTION B
SCALE: 1:10



DETAIL C
STORAGE LEVEL FLOOR & FRAMING DETAIL
SCALE: 1:10



DETAIL D
TYPICAL POST BASE DETAIL
SCALE: 1:10

NOTES:
42.2mm O.D. STD. PIPE RAIL (TYP)
60.3mm O.D. STD. PIPE POST (MAX 1200 o.c.)
42.2mm O.D. STD. PIPE RAIL (TYP)
100 COMPOSITE SLAB WITH 0.76mm THICK HB938 VICWEST DECKING OR EQUAL
MECH PLATFORM EL. 105.888
10M @ 300 o.c. E.W.
W360 x 33 BEAM
H.S.S. 76x76x4.8 POSTS AT EACH C150 IN MECHANICAL PLATFORM
100 x 250 x 10 BENT PL CONT. c/w 120 x 100 NELSON STUDS @ 600 o.c.
NOTE: METAL STUD WALL NOT SHOWN FOR CLARITY

UMA | AECOM
© 2007 UMA ENGINEERING LTD. ALL RIGHTS RESERVED.

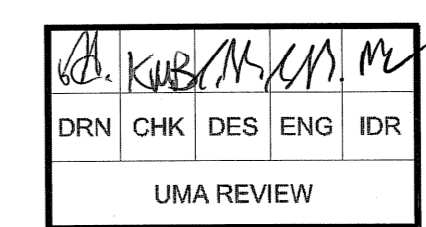
NO.	REVISION/DESCRIPTION	BY	DATE
B	ISSUED FOR TENDER	WJD	07/11/07
A	ISSUED FOR 100% REVIEW	WJD	07/09/07



DRAWN BY	CHKD BY	DES BY	ENG BY	IDR BY	DATE	USER APPROVAL	APPROVED
WJD					2007.08.10		

CITY OF WINNIPEG
PLANNING, PROPERTY & DEVELOPMENT DEPARTMENT
CIVIC ACCOMMODATIONS DIVISION
300 - 65 GARRY ST. R3C 4K4

PROJECT
1539 Waverley Street
Office/Garage Renovations & New Storage Building



UMA Engineering Ltd. (MB)
Certificate of Authorization
No. 256 Date: Nov. 2/2007

SHEET TITLE
GARAGE - MECHANICAL & STORAGE LEVEL
PLANS & DETAILS

SCALE	PROJECT NO.	SHEET NO.
1:500	2006-089	GAR - S2.1

DRAWING SHEET SIZE: A1 (841mm x 594mm) PLOT 1:1