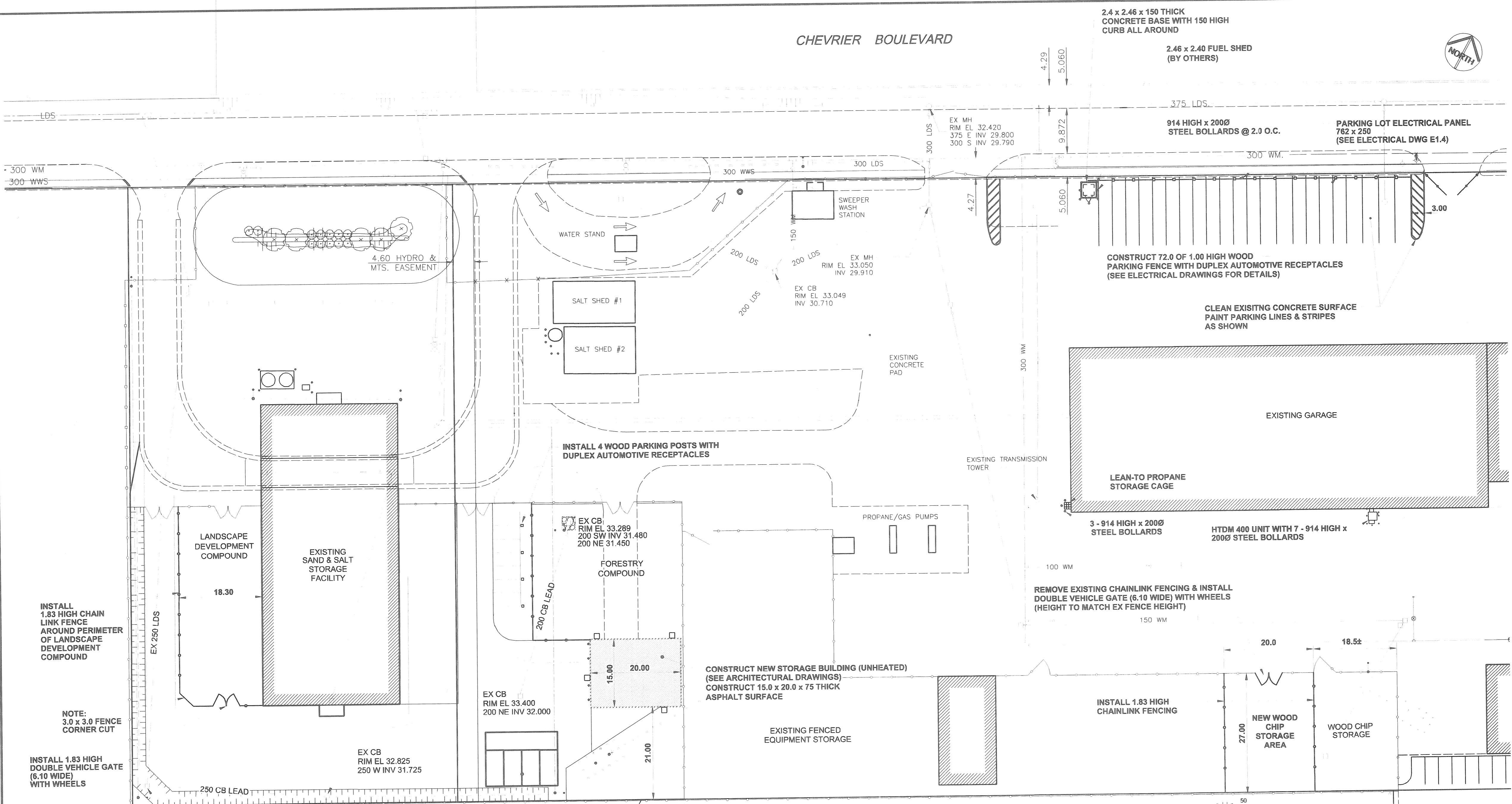


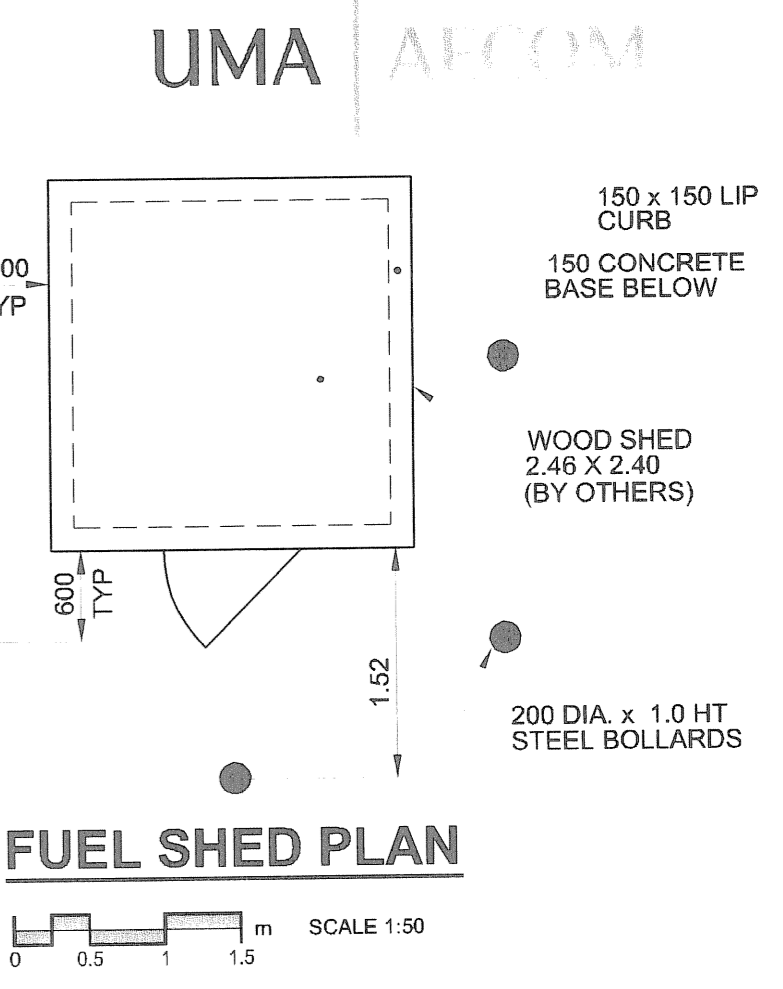
FILE NAME: 01-C-1002_RX.dwg | DATE: YEAR.MM.DD | DESCRIPTION: SITE WORKS | PROJECT No: 0265-395-02 | ADDRESS:

CHEVRIER BOULEVARD



NOTES:
1. LOCATION OF UNDERGROUND STRUCTURES AS SHOWN ARE BASED ON THE BEST INFORMATION AVAILABLE. NO GUARANTEE IS GIVEN THAT ALL EXISTING UTILITIES ARE EXACT. CONFIRMATION OF EXISTING AND EXACT LOCATION OF ALL SERVICES MUST BE OBTAINED FROM THE INDIVIDUAL UTILITIES BEFORE PROCEEDING WITH CONSTRUCTION.

LEGEND	ASPHALT SURFACE	HEAVY-DUTY GRAVEL SURFACE	LIGHT-DUTY GRAVEL SURFACE	SAND - CLAY SURFACE	CHAINLINK FENCE	WOOD FENCE	WATERMAIN	HYDRANT	VALVE	LAND DRAINAGE SEWER	WASTE WATER SEWER	MANHOLE	CATCH BASIN	CURB INLET	CULVERT	PIPE ABANDONMENTS	SURVEY BAR	WOOD FENCE	CURB STOP	REDUCER	COUPLING	ANODE	HYDRO	MTS	GAS	TESTHOLE	LAMP STANDARD	TREE	ELEVATIONS	ELECTRICAL CABLE	LEGEND - PLAN	NEW			
150 WM																																			
300 LDS																																			
250 WWS																																			
232.707																																			



NO.	REVISION/DESCRIPTION	BY	DATE
E	ISSUED FOR TENDER	WJD	07/11/02
D	ISSUED FOR FINAL REVIEW	WJD	07/10/19
C	REVISED - ISSUED FOR 100% REVIEW	WJD	07/08/21
B	ISSUED FOR 100% REVIEW	WJD	07/06/12
A	ISSUED FOR CLIENT REVIEW	WJD	07/06/17

SEALS
 DRN CHK DES ENG IDR
 UMA REVIEW
 THE MANITOBA ASSOCIATION OF LANDSCAPE ARCHITECTS
 DONALD K. HESTER
 member no. 32

DRAWN BY: WJD | CHECKED BY: USER APPROVAL | APPROVED: [Signature]
 DATE: 2007.07.30

CITY OF WINNIPEG
 PLANNING, PROPERTY & DEVELOPMENT DEPARTMENT
 CIVIC ACCOMMODATIONS DIVISION
 300 - 65 GARRY ST. R3C 4K4

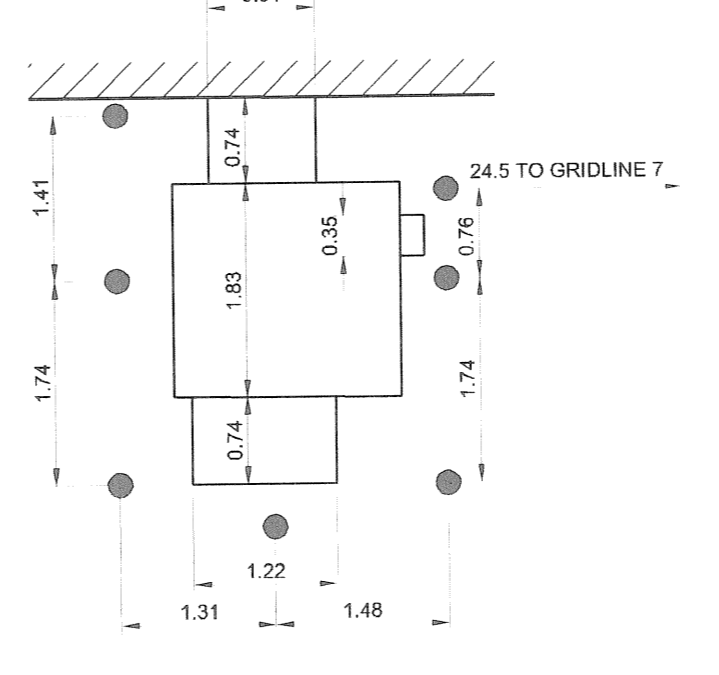
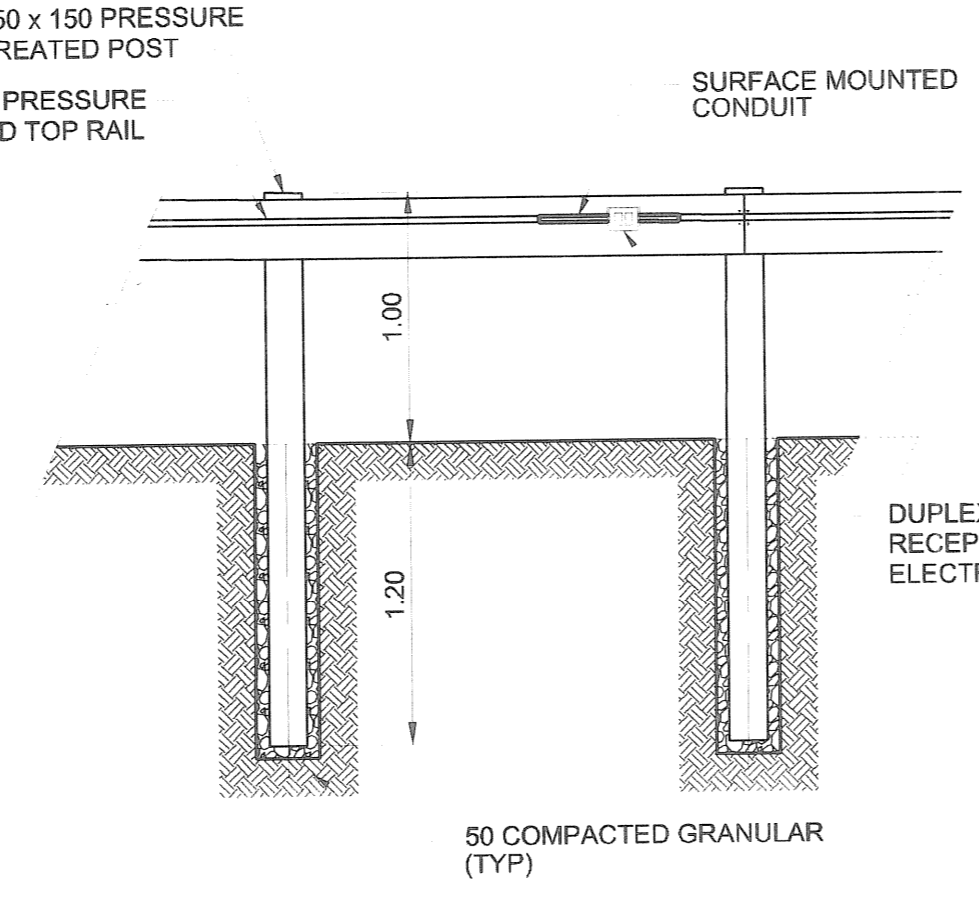
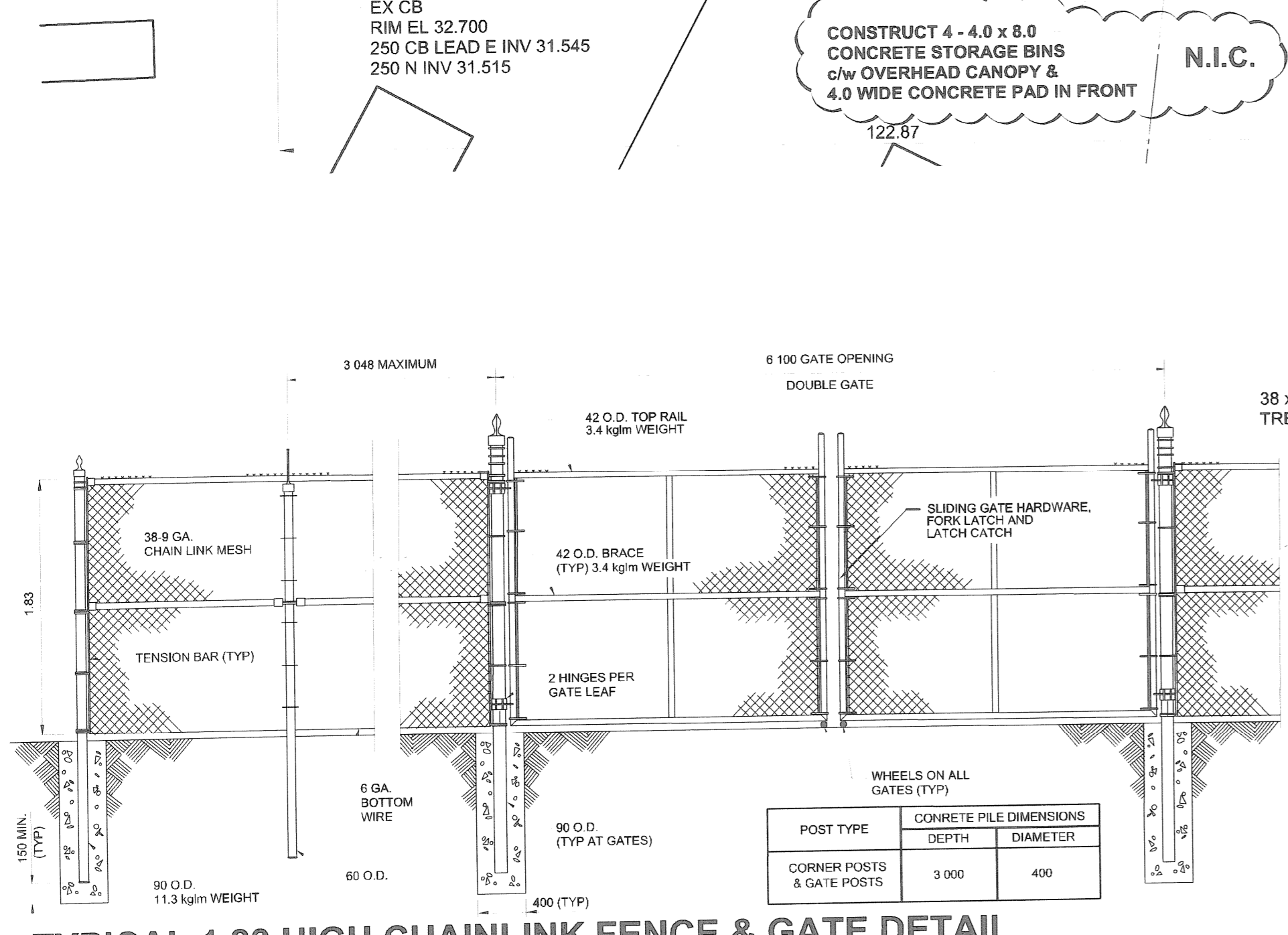
PROJECT
 CONSTRUCTION OF OFFICE/GARAGE RENOVATIONS & STORAGE BUILDING AT 1539 WAVERLEY STREET

SHEET TITLE
 GENERAL SITE WORKS

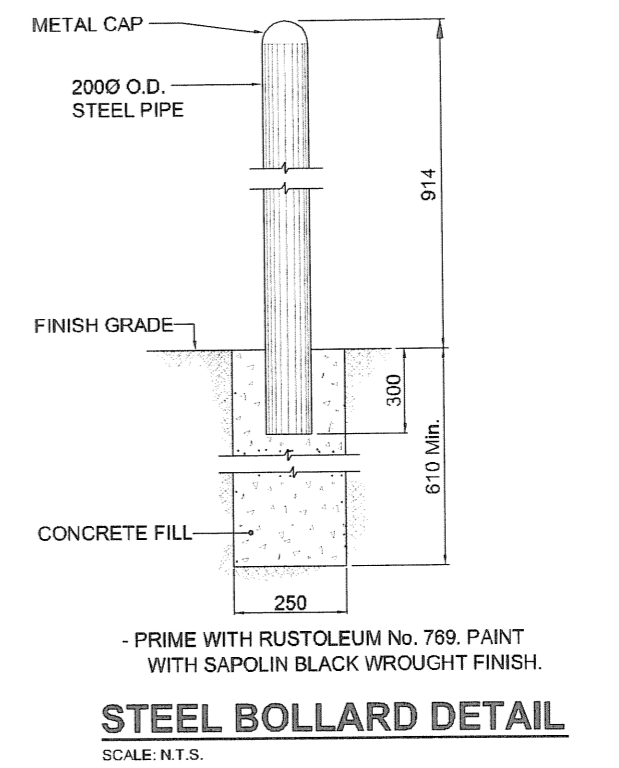
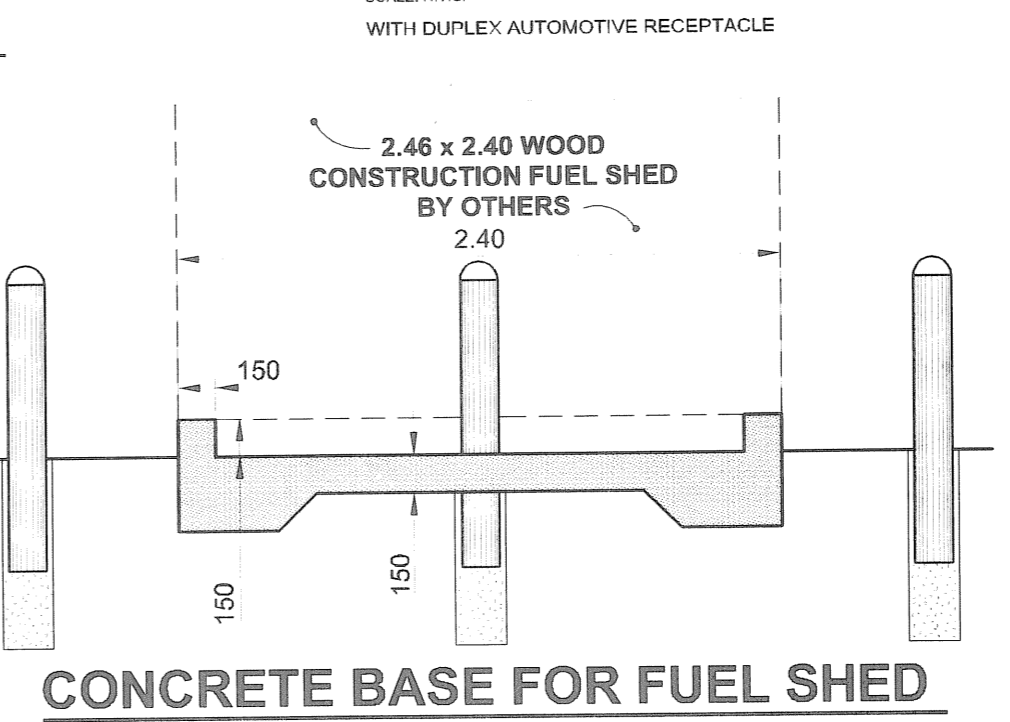
APEN
 Certificate of Authorization
 UMa Engineering Ltd. (MB)
 No. 256 Date: 07/11/02

SCALE	PROJECT NO.	SHEET NO.
1:500	2006-089	C1.1

DRAWING SHEET SIZE: A1 (841mm x 594mm) PLOT 1:1



NOTE: 1. SILVERTONE, PRESSURE TREATED CAA PINE POSTS.
 2. ALL POSTS THOROUGHLY TAMPED AND EARTH MOUNDING APPROX. 100 AT EACH POST FOR FUTURE SETTLING.



SCALE: N.T.S. AS PER CW 3550

SCALE 1:30

SCALE: N.T.S.

SCALE 1:30
 SEE STRUCTURAL DRAWING FOR DETAILS

SCALE: N.T.S.

WHOLE NUMBERS INDICATE MILLIMETRES
 DECIMALIZED NUMBERS INDICATE METRES