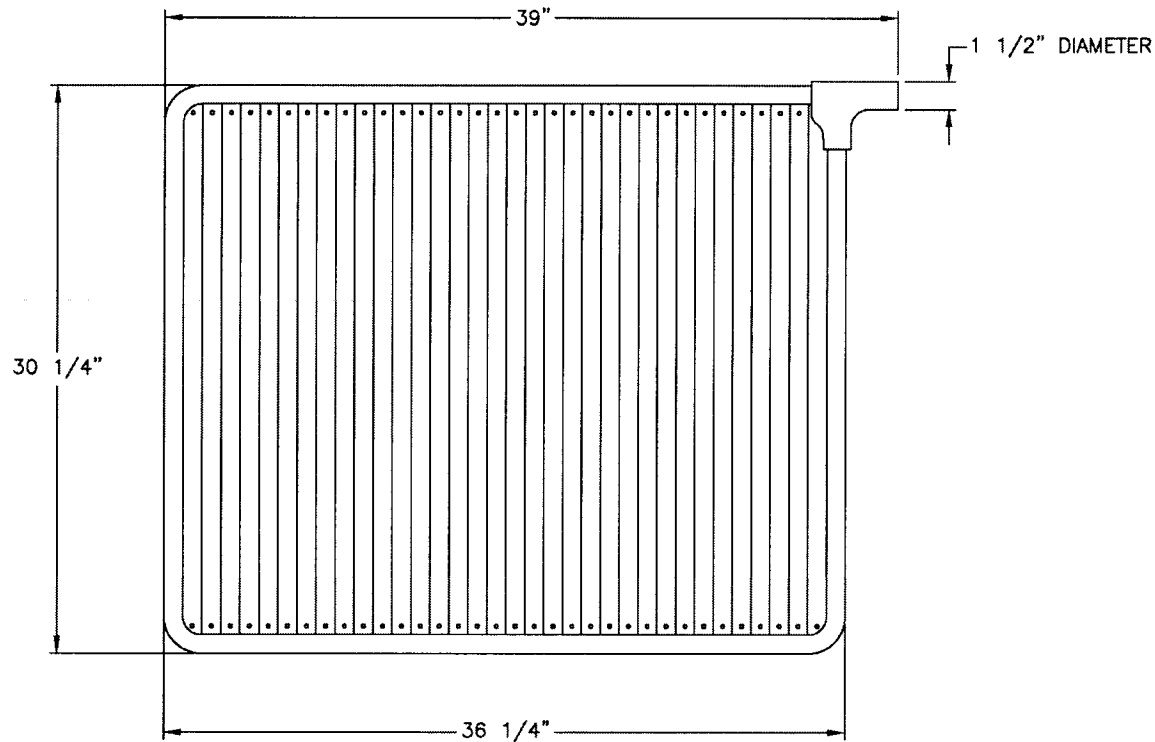


| BILL OF MATERIALS | | | |
|-------------------|-----|-------------|-------|
| ITEM | QTY | DESCRIPTION | NOTES |

- NOTES:
 1) LEAF THICKNESS: 1 3/8"
 2) OUTLET DIAMETER: 1 1/2"
 3) MATERIAL OF CONSTRUCTION: POLYSTYRENE



CERTIFIED FOR PRODUCTION

BY: _____ DATE: _____

TOLERANCES UNLESS OTHERWISE SPECIFIED

MACHINED DIMENSIONS:

| | | | |
|-------|-------|---------|------|
| X.X | ±.020 | FINISH: | 125 |
| X.XX | ±.010 | ANGLES: | ±.2 |
| X.XXX | ±.005 | RADI: | ±.03 |

FRACTIONAL DIMENSIONS:

| | |
|-----|-------|
| 1/X | ±1/16 |
|-----|-------|

REMOVE ALL BURRS AND BREAK ALL SHARP EDGES: .016 x 45°

| | | | | | | |
|---|--|-------------|---------|-------------|----------------|---------------|
| REV | | DESCRIPTION | DATE | SCALE: NTS | DATE: 5/11/07 | Sheet: 1 OF 1 |
| BID OPPORTUNITY # 429-2007 MER-MADE 30"x36" TOP CORNER OUTLET FILTER LEAF | | | SIZE: B | DWN BY: WGM | DWG NO. M-0012 | REV: RO |