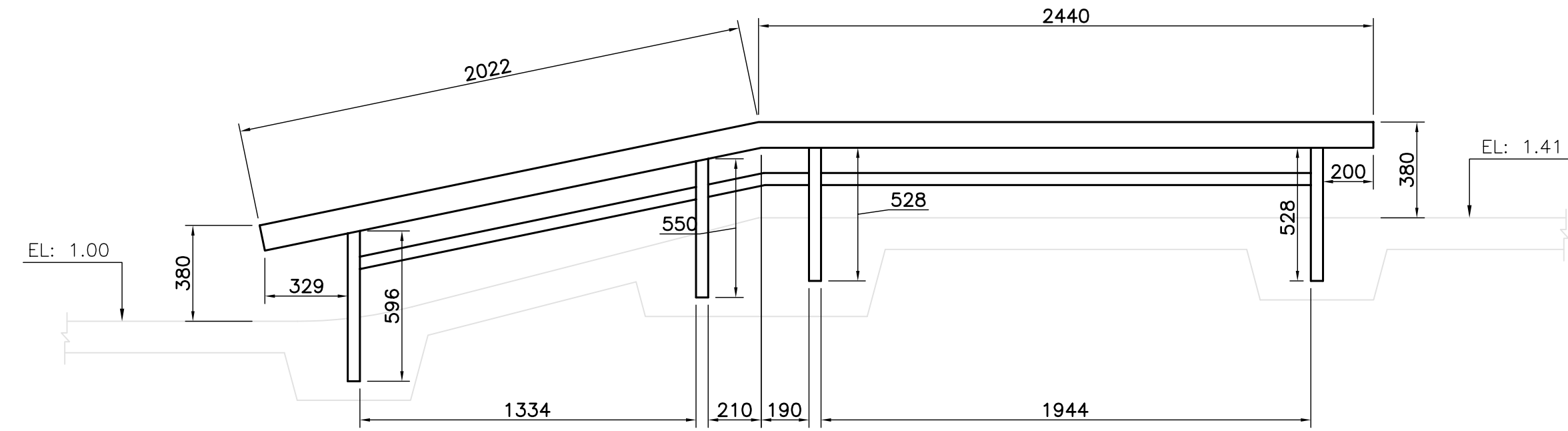
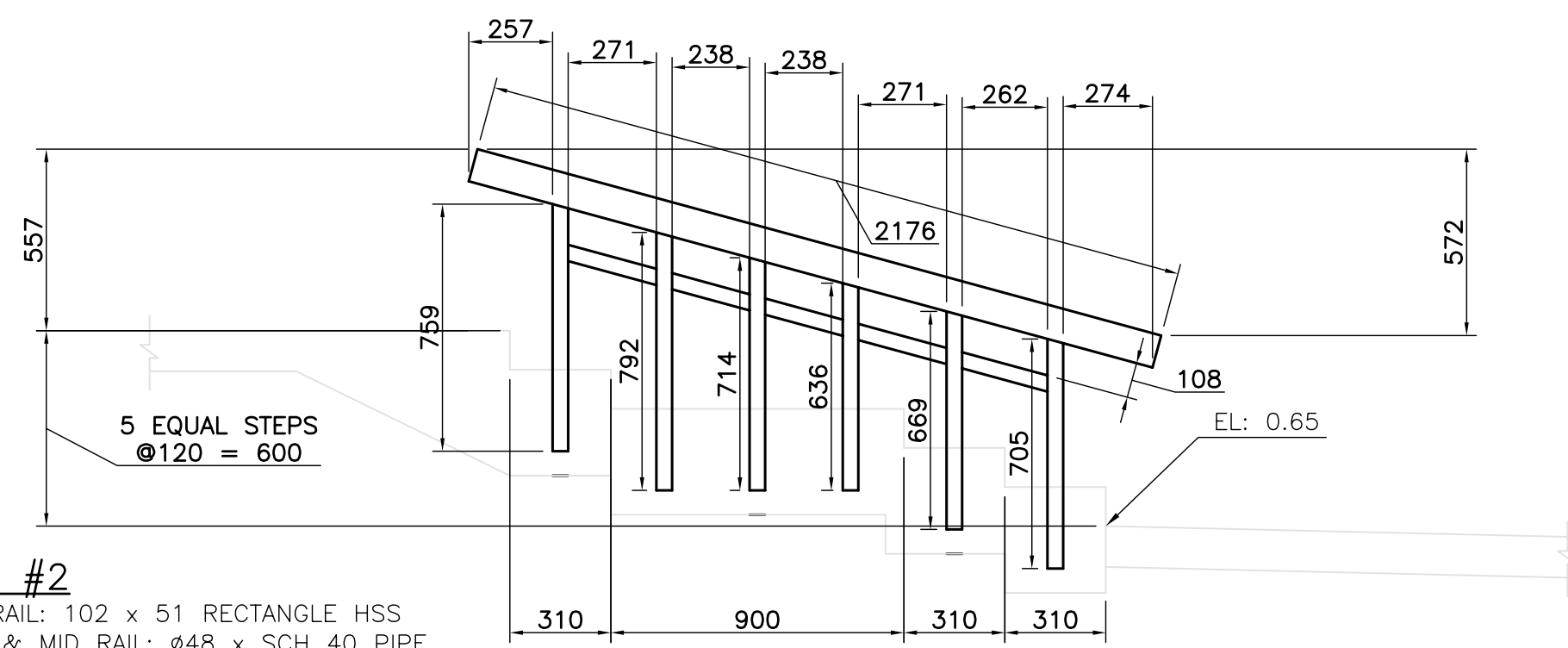


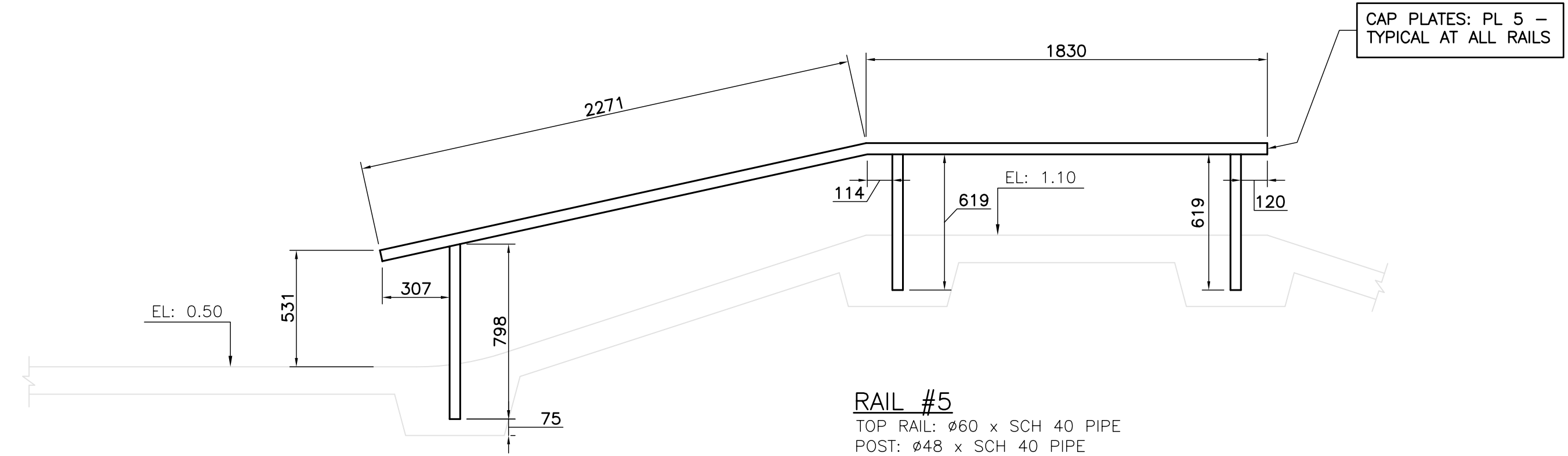
**RAIL #1**  
 TOP RAIL:  $\phi 60$  x SCH 40 PIPE  
 POST:  $\phi 48$  x SCH 40 PIPE



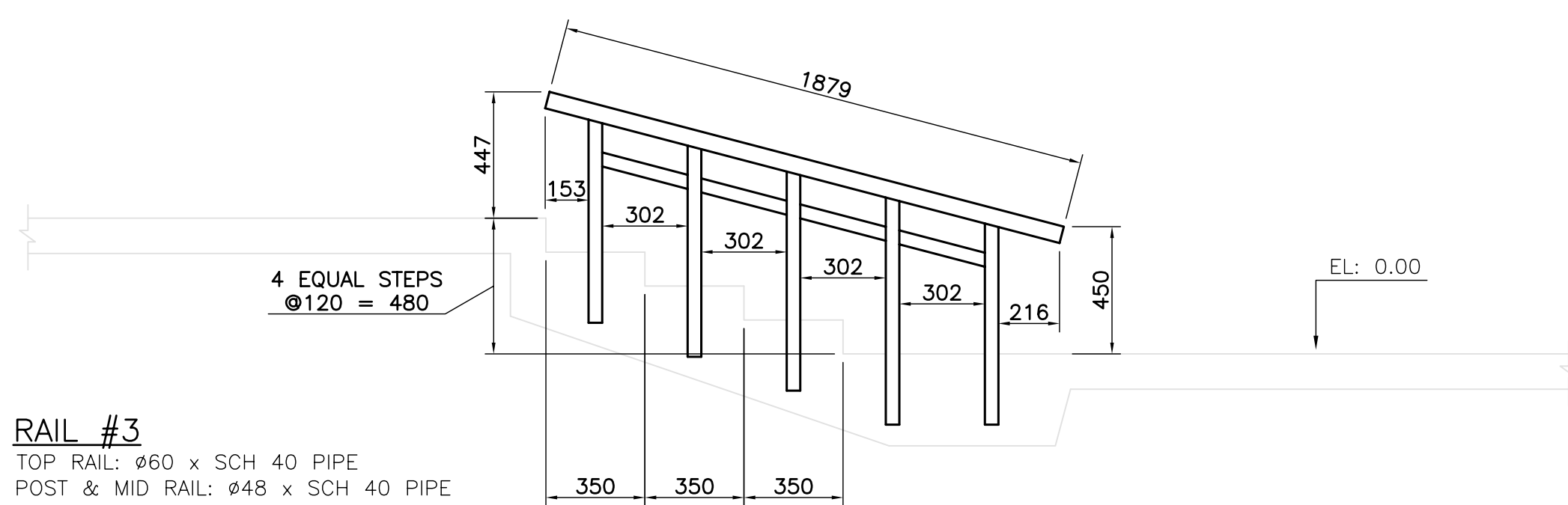
**RAIL #4**  
 TOP RAIL: 102 x 51 RECTANGLE HSS  
 POST:  $\phi 48$  x SCH 40 PIPE



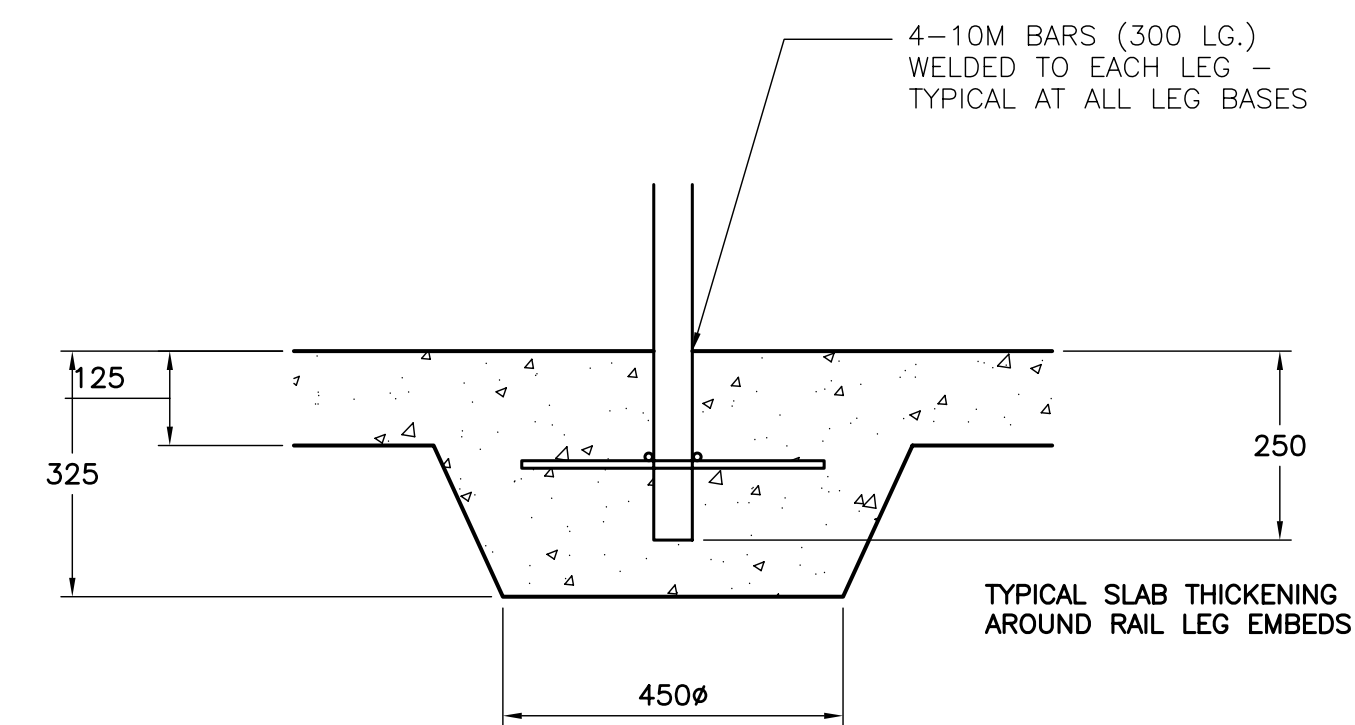
**RAIL #2**  
 TOP RAIL: 102 x 51 RECTANGLE HSS  
 POST & MID RAIL:  $\phi 48$  x SCH 40 PIPE



**RAIL #5**  
 TOP RAIL:  $\phi 60$  x SCH 40 PIPE  
 POST:  $\phi 48$  x SCH 40 PIPE



**RAIL #3**  
 TOP RAIL:  $\phi 60$  x SCH 40 PIPE  
 POST & MID RAIL:  $\phi 48$  x SCH 40 PIPE



CAST IN PLACE RAIL BASE DETAIL



*Robert Harry Fulton*  
 May 28, 2007

REVISIONS	DATE	BY
D		
C		
B		
A	MAY/28/07	MhR
NEW	05/09/07	MhR

**NOTES:**  
 1. COLOUR OF THE RAILS WILL BE SELECTED BY OWNER AND PROVIDED TO THE CONTRACTOR.

SPECTRUM SKATEPARK CREATIONS LTD. AND FULTON ENGINEERING CO. LTD. ARE THE SOLE PROPRIETORS OF THE CONTENTS OF THIS DRAWING PACKAGE. DUPLICATION OF ANY OF THE CONTENTS OF THIS DRAWING PACKAGE WITHOUT PERMISSION FROM THE AFOREMENTIONED PARTIES IS STRICTLY PROHIBITED.



STRUCTURAL ENGINEERING CONSULTANT:

FULTON ENGINEERING COMPANY LTD.  
 Phone: (604) 589-3455  
 Cell: (604) 290-3455  
 Email: r.fulton@fultonengineering.ca  
 8605 Sunbury Place, V4C 3Y9  
 Delta, British Columbia, Canada

PROJECT  
**FORT GARRY COMMUNITY CENTRE SKATEBOARD PARK, MANITOBA**

TITLE:  
**RAIL DETAILS**

DESIGN BY	SHEET NO.
J. BARNUM	SK5.2
DRAWN BY	
G. GAN	
DATE	
05/09/07	
SCALE	
AS NOTED	