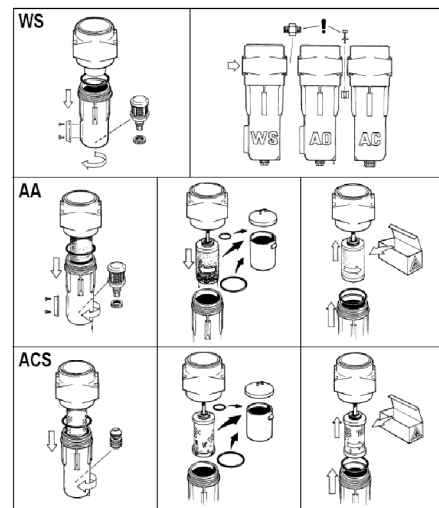
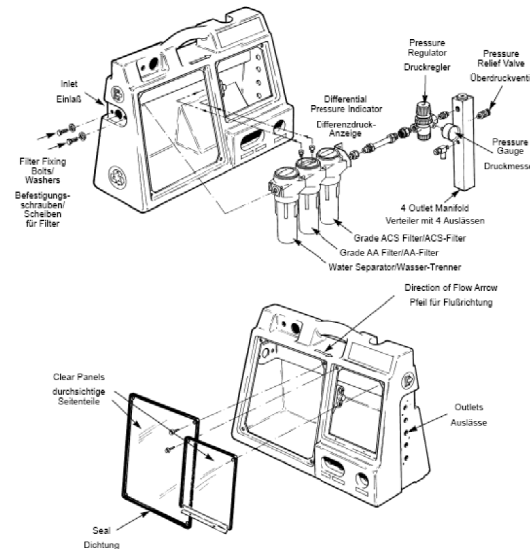


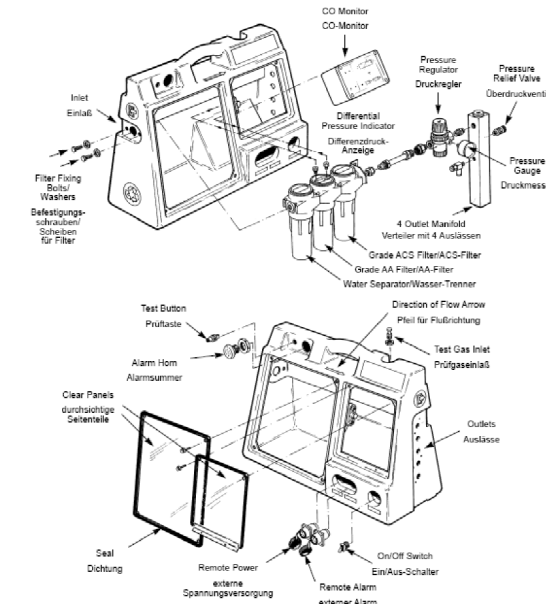
PAINT BOOTH #4 AND #3
SCALE: 1/16" = 1'-0"



BA-1400 BREATHING AIR PURIFIER - GENERAL FEATURES
BA-1400 ATEMLUFTREINIGER - ALLGEMEINE MERKMALE



BA-1400 BREATHING AIR PURIFIER
(including CO monitor - when fitted)
BA-1400 ATEMLUFTREINIGER
(mit CO-Monitor - falls vorhanden)



APEGM
Certificate of Authorization
Nova 3 Engineering Ltd.
No. 962 Expiry: April 30, 2007

ISSUED FOR CONSTRUCTION JHG APR. 2/07

REVISION BY DATE

THE CONSULTANT SHALL VERIFY ALL DIMENSIONS AND REPORT ANY INCONSISTENCIES BEFORE PROCEEDING

THIS DRAWING MUST NOT BE SCALED

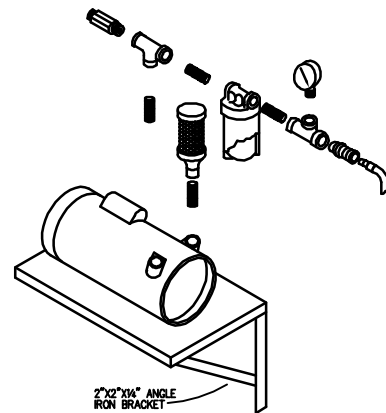
CONSULTANT

NOVA 3 ENGINEERING LTD.
CONSULTING ENGINEERS
201-120 FORT STREET TEL: (204) 943-8142
WINNIPEG, MANITOBA FAX: (204) 942-1276
R3C 1C7 JA 27-073
THIS DRAWING IS THE EXCLUSIVE PROPERTY OF NOVA 3 ENGINEERING LTD. AND MAY ONLY BE REPRODUCED WITH THE WRITTEN PERMISSION OF THE COMPANY AND IS NOT TO BE USED FOR ANY OTHER PROJECTS. PROFESSIONAL ENGINEER ACCEPTS NO RESPONSIBILITY FOR DAMAGES AND OTHER LOSSES CAUSED BY ACCIDENTS OR OTHERWISE, UNLESS SUCH LOSSES ARE CAUSED BY NEGLIGENCE OR OTHERWISE, AS SHOWN BY A COURT OF LAW AND CERTIFICATE OF INSURANCE.

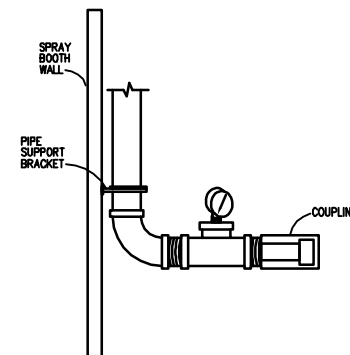
CONSULTANT

DRAWING NOTES

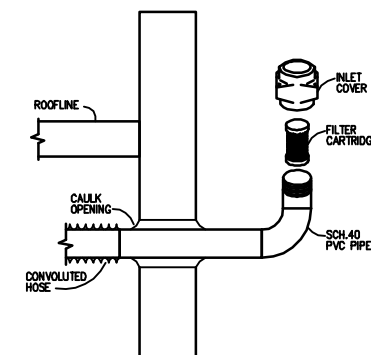
- 1 EXISTING UNIT SUPPLIED BY "THE CITY" MOUNTED AT HIGH LEVEL ON WALL. CONFIRM EXACT LOCATION ON SITE. REFER TO DETAIL THIS SHEET FOR ADDITIONAL INFORMATION.
- 2 CONVOLUTED INLET HOSE, PROVIDED IN 25 FT. INCREMENTS, SHALL BE SUPPORTED FROM UNDERSIDE OF STRUCTURE WITH UNISTRUT CHANNEL ON HANGER ROD - MAXIMUM 4'-0" SPACING.
- 3 INLET HOSE SHALL PENETRATE WALL AND ELBOW UPWARD TO BE MIN. 3'-0" ABOVE PARAPET HEIGHT. UNIT SHALL TERMINATE WITH FILTER HOUSING/CANISTER. REFER TO DETAIL THIS SHEET. PIPING SHALL BE SCH.40 PVC ON EXTERIOR OF BUILDING.
- 4 BREATHING AIR COPPER PIPING TO BE SUSPENDED FROM UNDERSIDE OF STRUCTURE C/W CLEVIS TYPE HANGERS WITH DIELECTRIC SHIELDING. INSTALL AT HIGH LEVEL FROM UNDERSIDE OF STRUCTURE.
- 5 DROP 1/2" COPPER PIPING DOWN TO TERMINATE WITH QUICK-CONNECT COUPLING AT APPROX. 48" AFF. VERIFY EXACT MOUNTING LOCATION WITH "THE CITY" ON SITE.
- 6 PROVIDE 50 FT. PVC BREATHING LINE AND RACK AS SPECIFIED.
- 7 PROVIDE 25 FT. BREATHING LINE AND RACK AS SPECIFIED.
- 8 PROVIDE CLASS 1/DV. 1 AUDIBLE/VISUAL ALARM MOUNTED IN HIGHLY VISIBLE LOCATION SELECTED BY "THE CITY" ON SITE. PROVIDE LAMACOD LABEL INDICATING "WARNING: BACK-UP BREATHABLE AIR COMPRESSOR IN USE."
- 9 MOUNT FOUR(4) RED ALARM INDICATION LIGHTS ON WALL AT APPROX. 5'-0" A.F.F. AT SUPERVISORS DESK. PROVIDE LAMACOD TAG AT APPROPRIATE INDICATION LIGHT IDENTIFYING WHICH COMPRESSOR IS NON-OPERATIONAL (E., BOOTH#1, ETC.).
- 10 MOUNT NEW AIR COMPRESSOR SUPPLIED BY "THE CITY" ON ANGLE IRON WALL BRACKET AND PLATFORM AT SAME ELEVATION AS EXISTING. PROVIDE GALVANIZED METAL PROTECTIVE HOUSING AROUND UNIT. REFER TO DETAIL THIS SHEET.
- 11 PROVIDE SOLENOID VALVE ON "B" BY-PASS LINE WIRED TO OPEN ON PRESSURE LOSS AS INDICATED BY ADJACENT PRESSURE SWITCHES.



COMPRESSOR MOUNTING DETAIL
SCALE: NTS



MOUNTING DETAIL
SCALE: NTS



WALL PENETRATION DETAIL
SCALE: NTS

LOCATION
**CITY OF WINNIPEG
TRANSIT DEPARTMENT
BUILDING SERVICES DIVISION
481 CROSBY STREET
WINNIPEG, MANITOBA**

DRAWING
**PROVISION OF COMPRESSED
BREATHING AIR SYSTEM IN
PAINT BOOTHS AT WINNIPEG
TRANSIT FACILITIES**

DESIGNED BY TSM	APPROVED BY J.H.G.
DATE MARCH 23/07	SCALE 1/16" = 1'-0"
PROJECT 27-073	DWG No. M-1