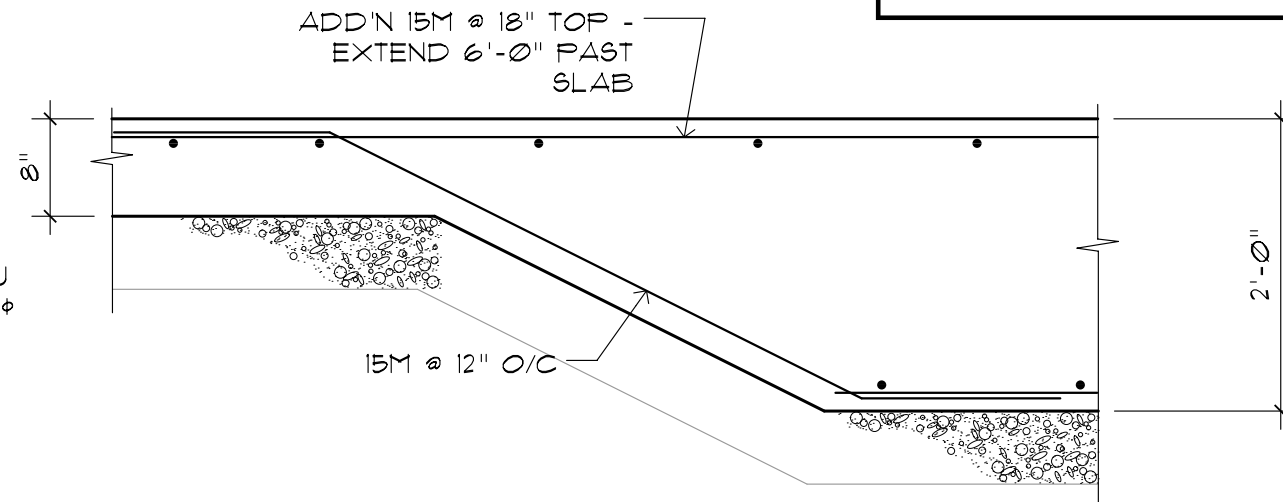
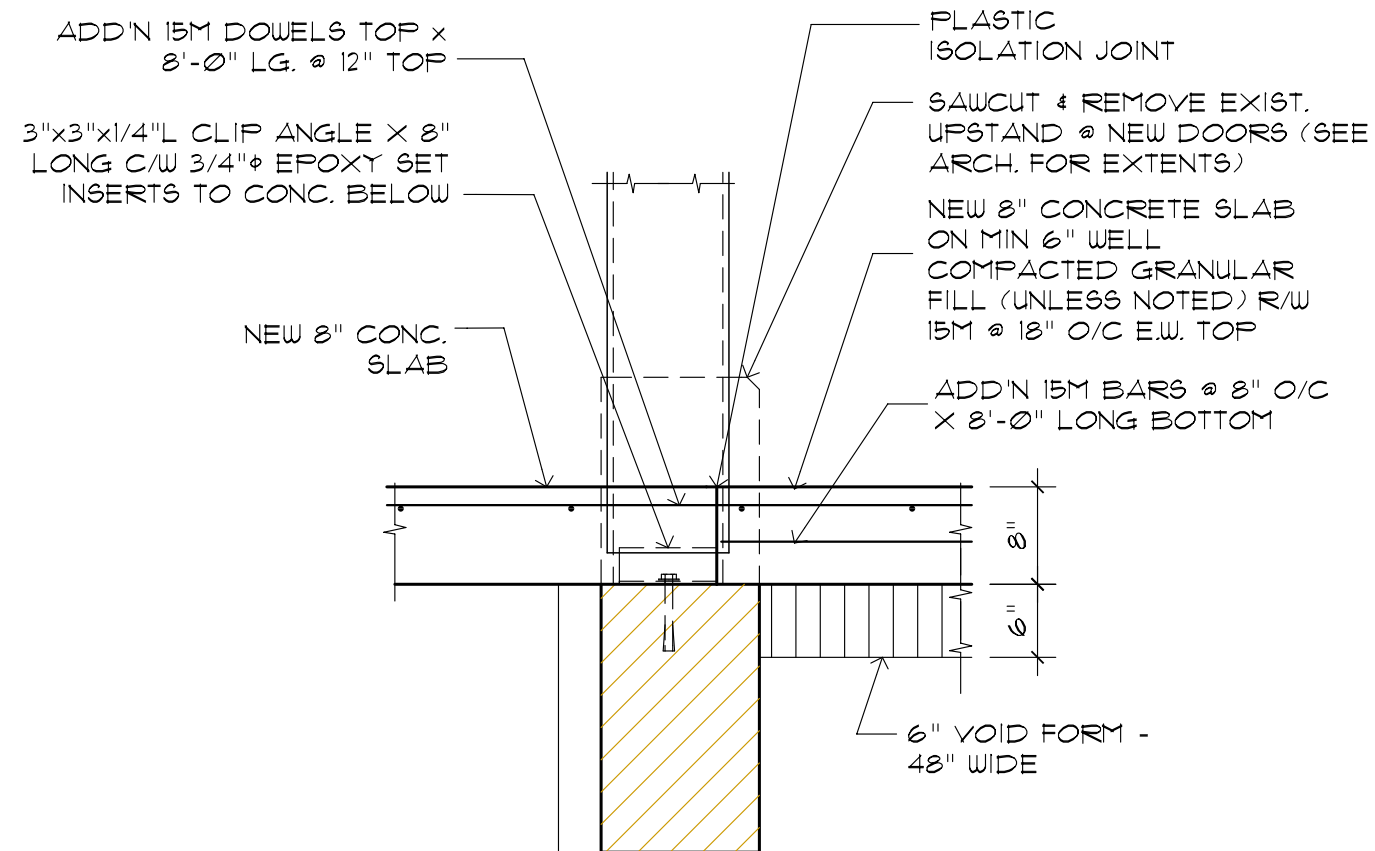


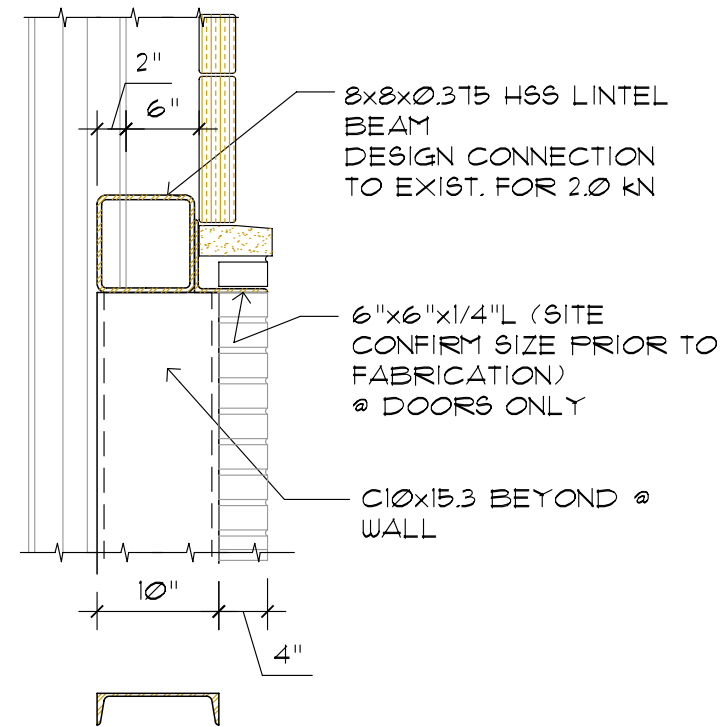
**2 MK 'A' SECTION**  
S-2.2 3/4" = 1'-0"



**3 THICKENED SLAB SECTION**  
S-2.2 3/4" = 1'-0"

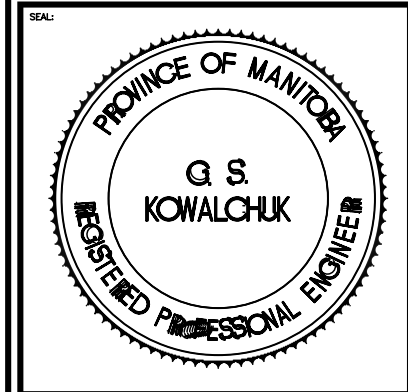


**1 LINTEL SECTION**  
S-2.2 3/4" = 1'-0"



**4 LINTEL SECTION**  
S-2.2 3/4" = 1'-0"

REV	DESCRIPTION	DATE	BY
0	ISSUED FOR TENDER	MAY 11, 2007	CML



THIS DRAWING MUST NOT BE SCALED.  
THE GENERAL CONTRACTOR SHALL VERIFY ALL DIMENSIONS, DATUMS AND LEVELS PRIOR TO COMMENCEMENT OF WORK AND IS HELD RESPONSIBLE FOR REPORTING ANY DISCREPANCY OR OMISSION TO NEIL COOPER ARCHITECT INC IMMEDIATELY.  
THIS DRAWING IS THE EXCLUSIVE PROPERTY OF NEIL COOPER ARCHITECT INC. AND CAN BE REPRODUCED ONLY WITH THE PERMISSION OF NEIL COOPER ARCHITECT INC. IN WHICH CASE THE REPRODUCTION MUST BEAR THEIR NAME AS THE ARCHITECTURAL FIRM.

DRAWING: **SECTIONS & DETAILS**

PROJECT: **195 TECUMSEH O/H DOOR & CONCRETE SLAB REPLACEMENT WINNIPEG, MANITOBA**

Neil Cooper Architect Inc.  
10-395 Berry Street, Winnipeg, Manitoba R3J 1N6

<b>Kowalchuk Consulting Engineers Ltd.</b>			
DRAWN BY: DC	CHECKED BY: GSK	SHEET NO: S2.2	REV NO: R0
DATE: MAY. 09, 2007			
SCALE: 3/4" = 1'-0"			
FILE: Projects\2007\07065\07065-S1.dwg			