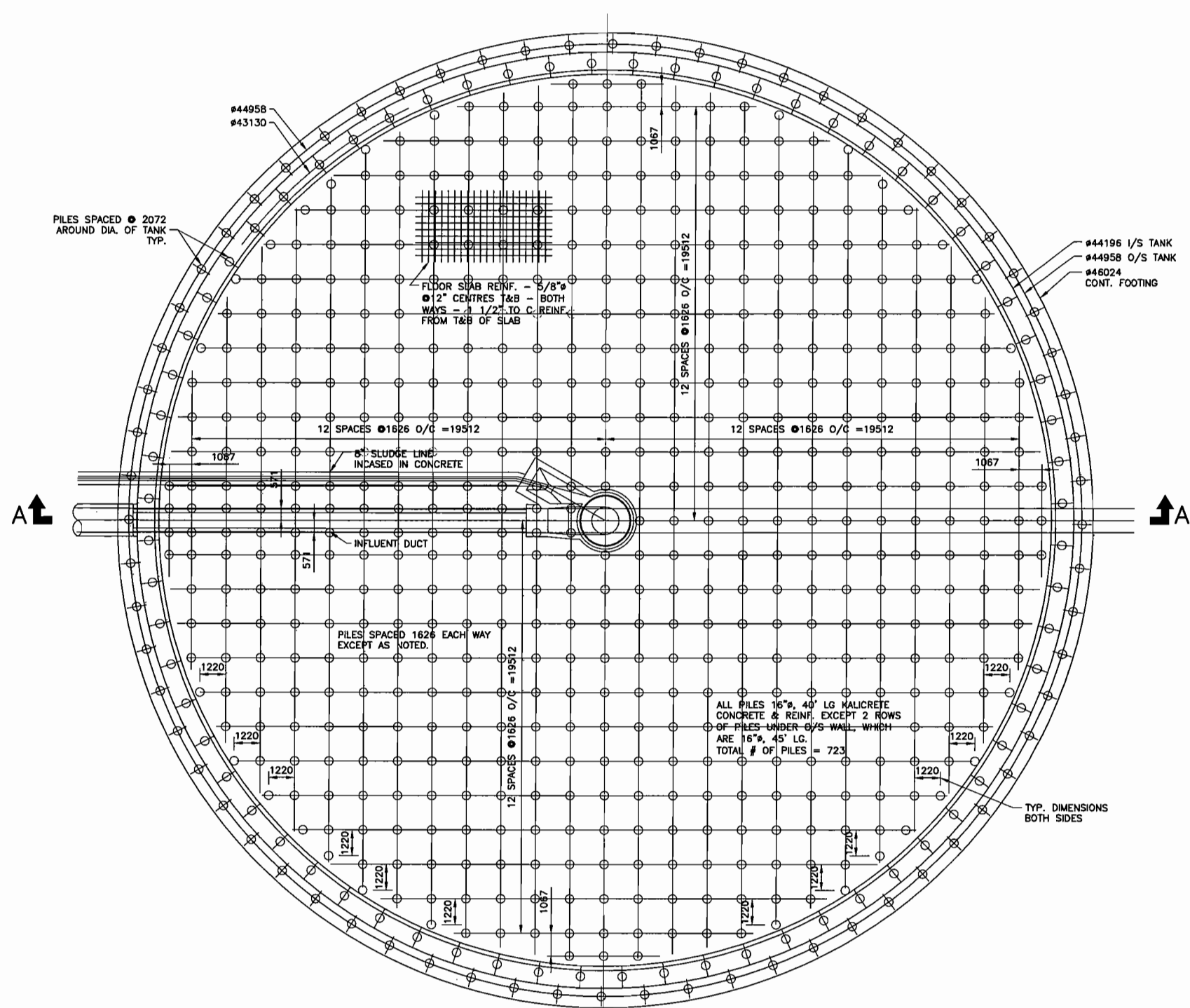
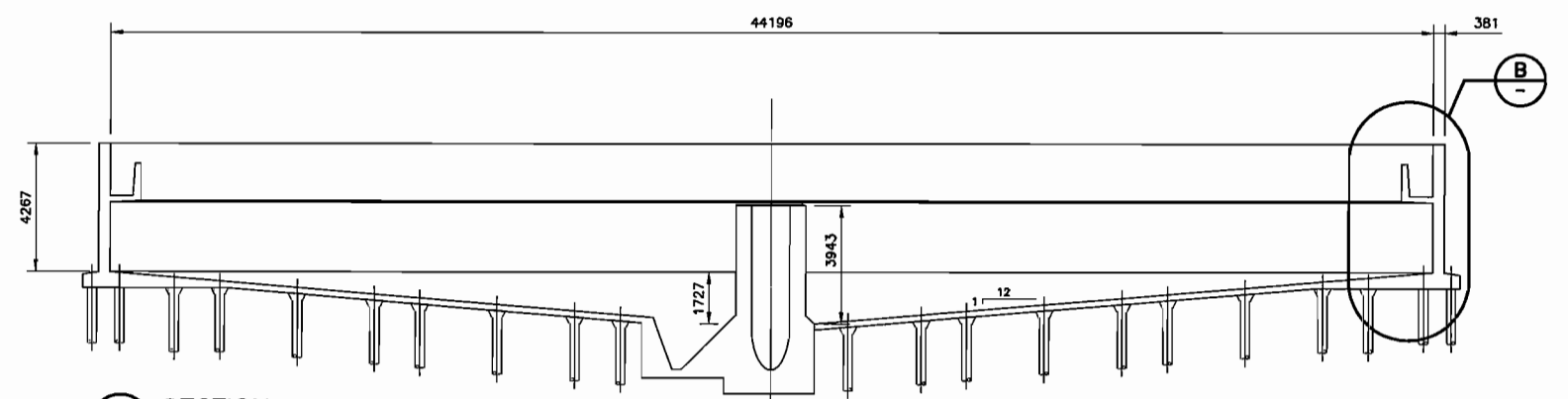


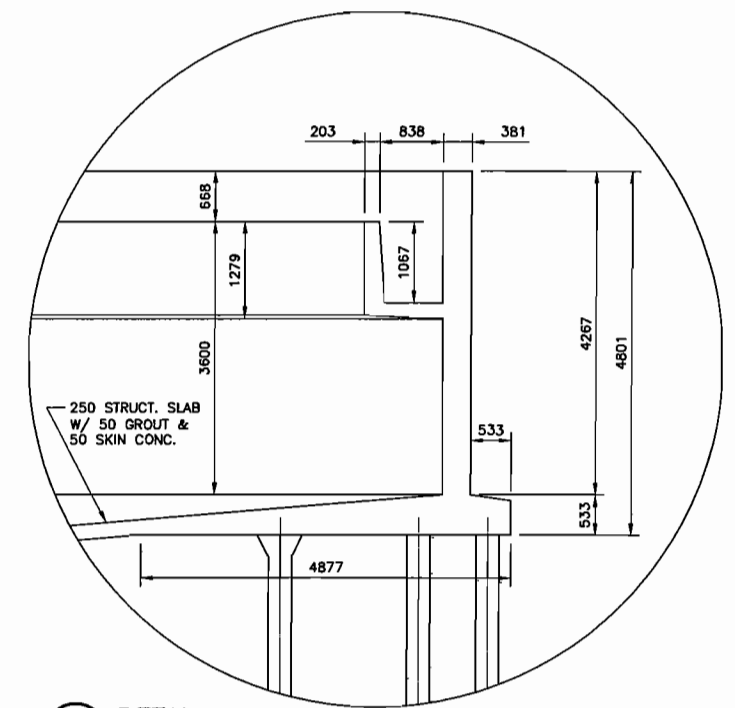
File Name: P:\Projects\2006\06-0107-03\Civil\Drawings\06-0107-03-SK2-PA0.dwg -- Tab: Layout1 Plotted By: jgnitzinger 05/31/2007 [Thu 4:47pm]  
 24"x36"/PLOT SCALE: 1"=11'



**PLAN**  
SCALE: 1:125



**A SECTION**  
SCALE: 1:125



**B DETAIL**  
SCALE: 1:50

**PRELIMINARY**  
 NOT TO BE USED FOR CONSTRUCTION

A	20/06/06	ISSUED FOR REPORT	R/JL
NO. D/M/Y		DESCRIPTION	BY
<b>REVISIONS / ISSUE</b>			
A	A. SECTION LETTER OR DETAIL NUMBER IS DRAWN		A
B	B. DRAWING WHERE SECTION OR DETAIL WAS INDICATED		-
OR DRAWING WHERE SECTION OR DETAIL WAS INDICATED - SECTION OR DETAIL SHOWN ON SAME DRAWING			
<b>KGS GROUP</b>		<b>CONSULTING ENGINEERS &amp; PROJECT MANAGERS</b>	
		WINNIPEG (204) 896-1209 THUNDER BAY (807) 345-2233	
CLIENT:			
		<b>THE CITY OF WINNIPEG</b> WATER & WASTE DEPARTMENT	
PROJECT:			
NORTH END WATER POLLUTION CONTROL CENTRE			
DWG. DESCRIPTION:			
PRIMARY CLARIFIER NO. 3 PLAN & SECTION			
ENG. STAMP	DESIGNED BY: R/JL	DRAWN BY: J/G	
	CHECKED BY: R/JL	CHECKED:	
	SCALE: AS NOTED	DATE: AUGUST 2006	
	KGS DWG. NO.		SK-2
CLIENT DWG. NO.		REV:	A

