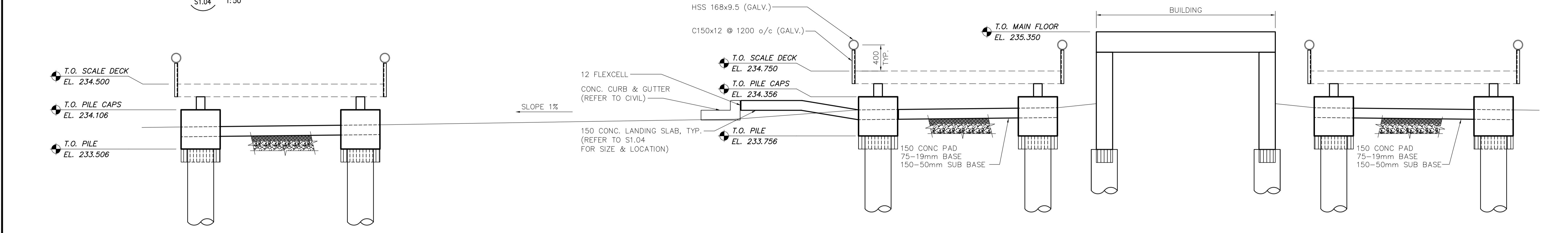
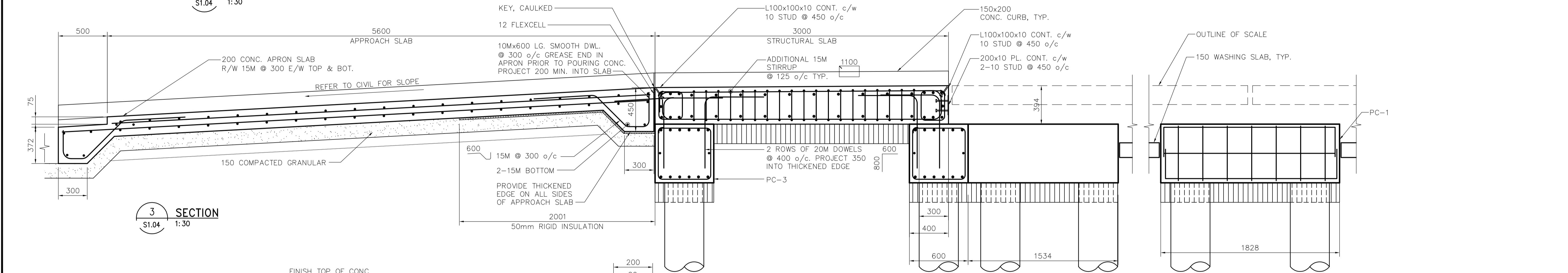


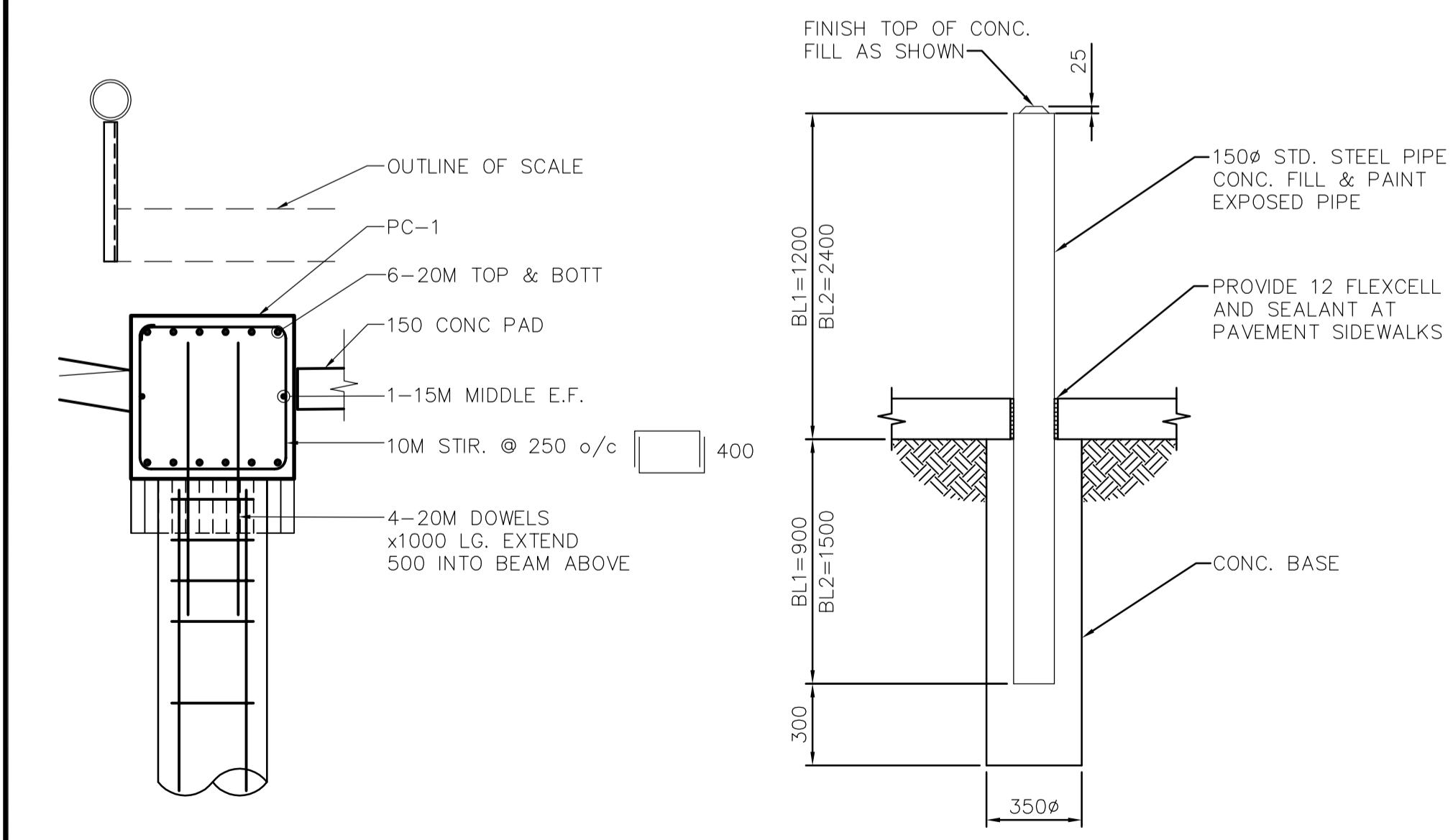
1 SECTION
S1.04 1:50



2 SECTION
S1.04 1:30

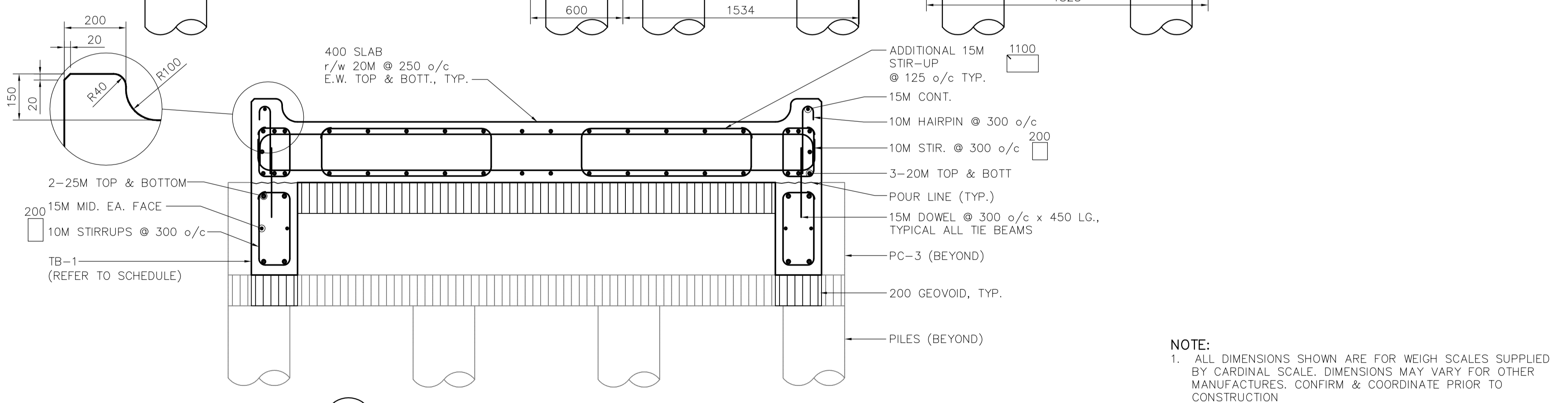


3 SECTION
S1.04 1:30



4 SECTION
S1.04 1:20

TYP. EXTERIOR BOLLARD
SCALE 1:20



5 SECTION
S1.04 1:30

NOTE:
1. ALL DIMENSIONS SHOWN ARE FOR WEIGH SCALES SUPPLIED BY CARDINAL SCALE. DIMENSIONS MAY VARY FOR OTHER MANUFACTURERS. CONFIRM & COORDINATE PRIOR TO CONSTRUCTION
2. ALL PILES ARE P9. U/N

<p>Certificate of Authorization Earth Tech Canada Inc. No. 730</p>	B.M. ELEV.			ENGINEER'S SEAL	<p>THE CITY OF WINNIPEG WATER AND WASTE DEPARTMENT SOLID WASTE SERVICES DIVISION</p>		
	DESIGNED BY: LLR/GGP	CHECKED BY: GGP	ORIGINAL SIGNED BY: M. KLASSEN	<p>BRADY RD. LANDFILL NEW ENTRANCE AND SCALE FACILITY</p>			
	DRAWN BY: KK	APPROVED BY: TGS	2007/07/20			CITY FILE NUMBER	
	SCALE: AS NOTED	RELEASED FOR CONSTRUCTION BY: V. JEANCART	CONSULTANT DRAWING NO. S1.05	SHEET OF			
NO. REVISIONS	DATE	DATE	DATE	2006/07/24	2007/07/20	STRUCTURAL TRUCK SCALE SECTIONS STANDARD DETAILS	CITY DRAWING NUMBER SWD-D-383