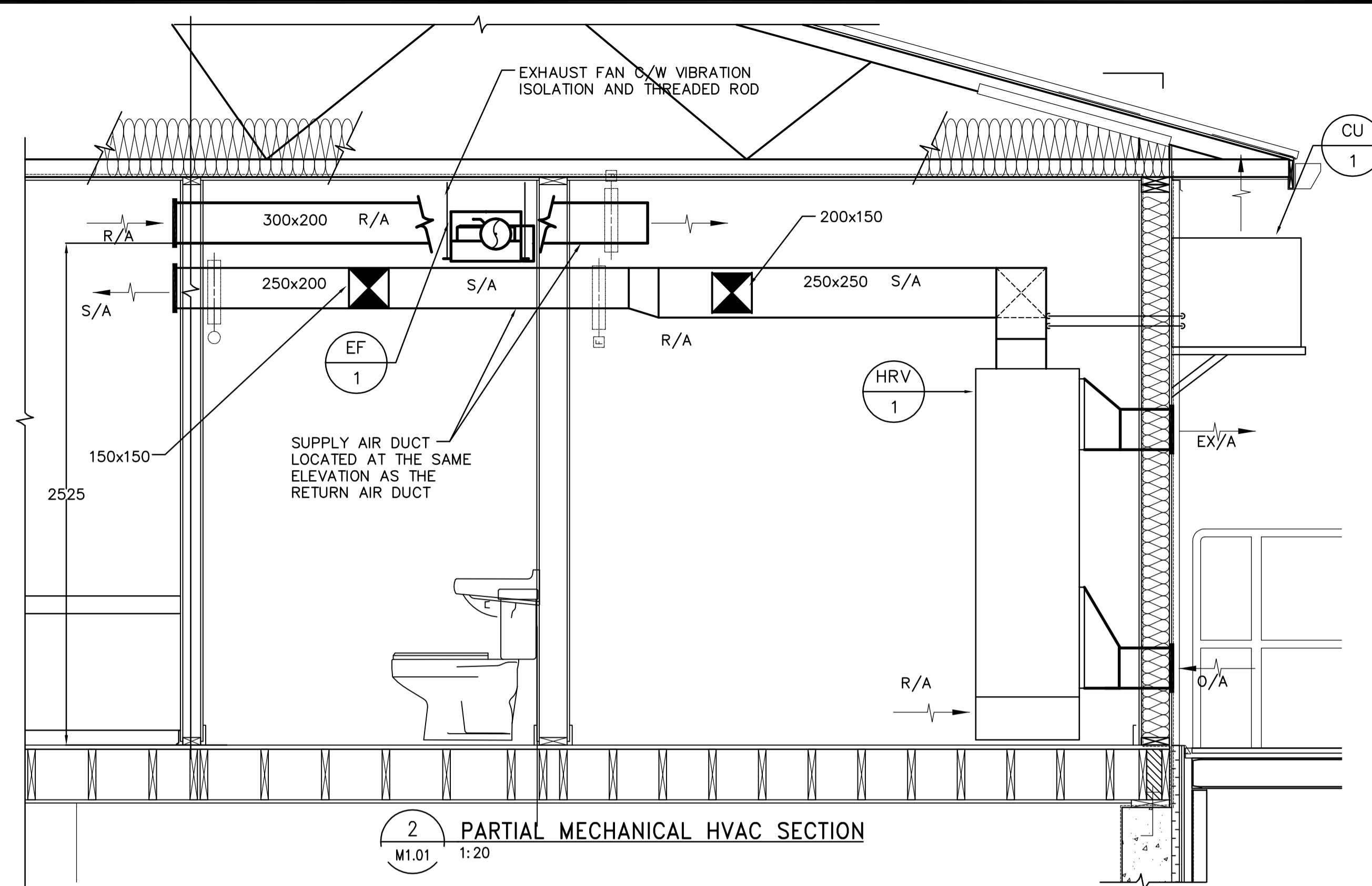
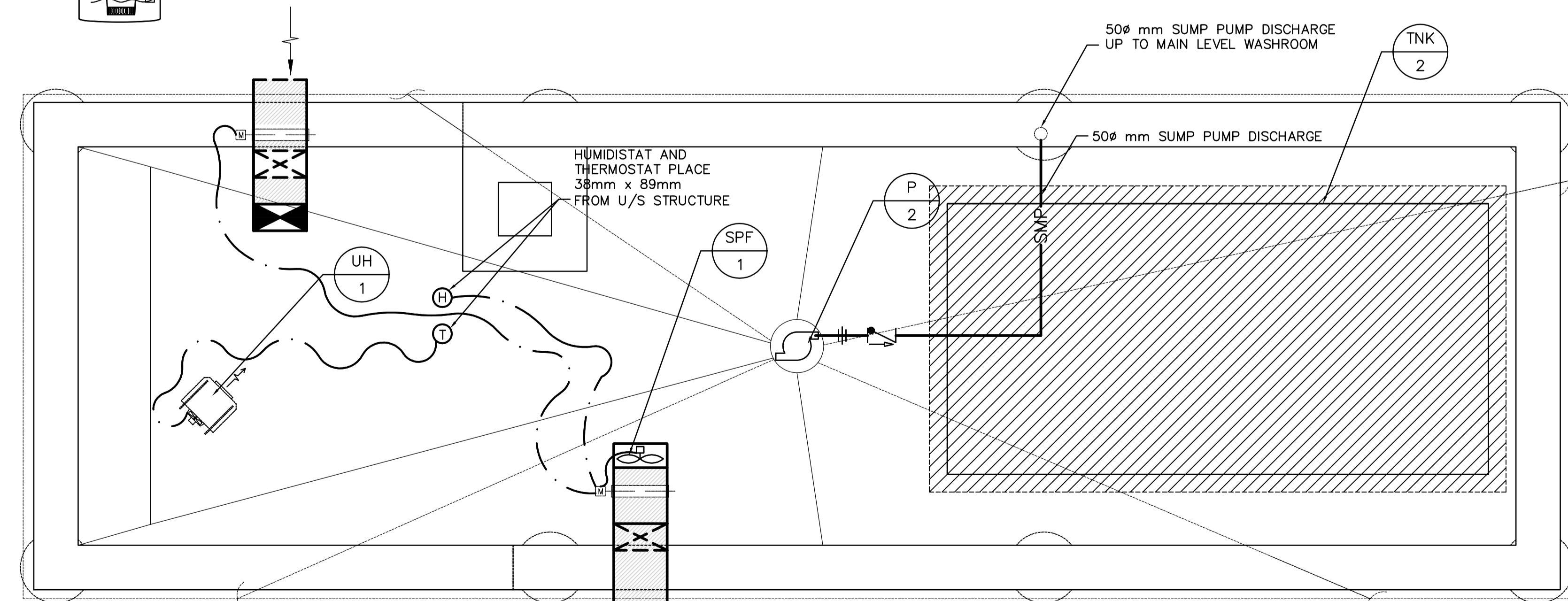
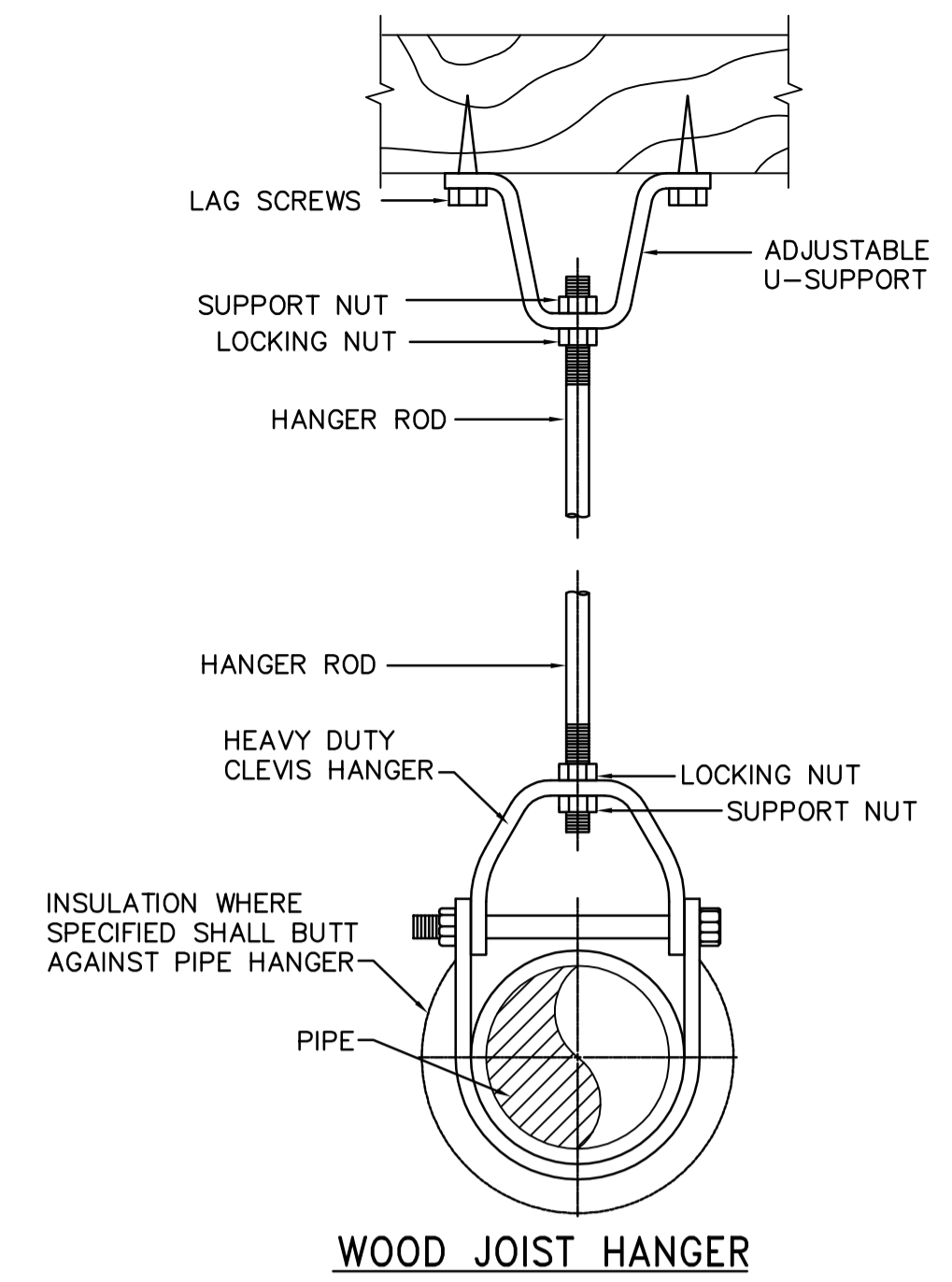


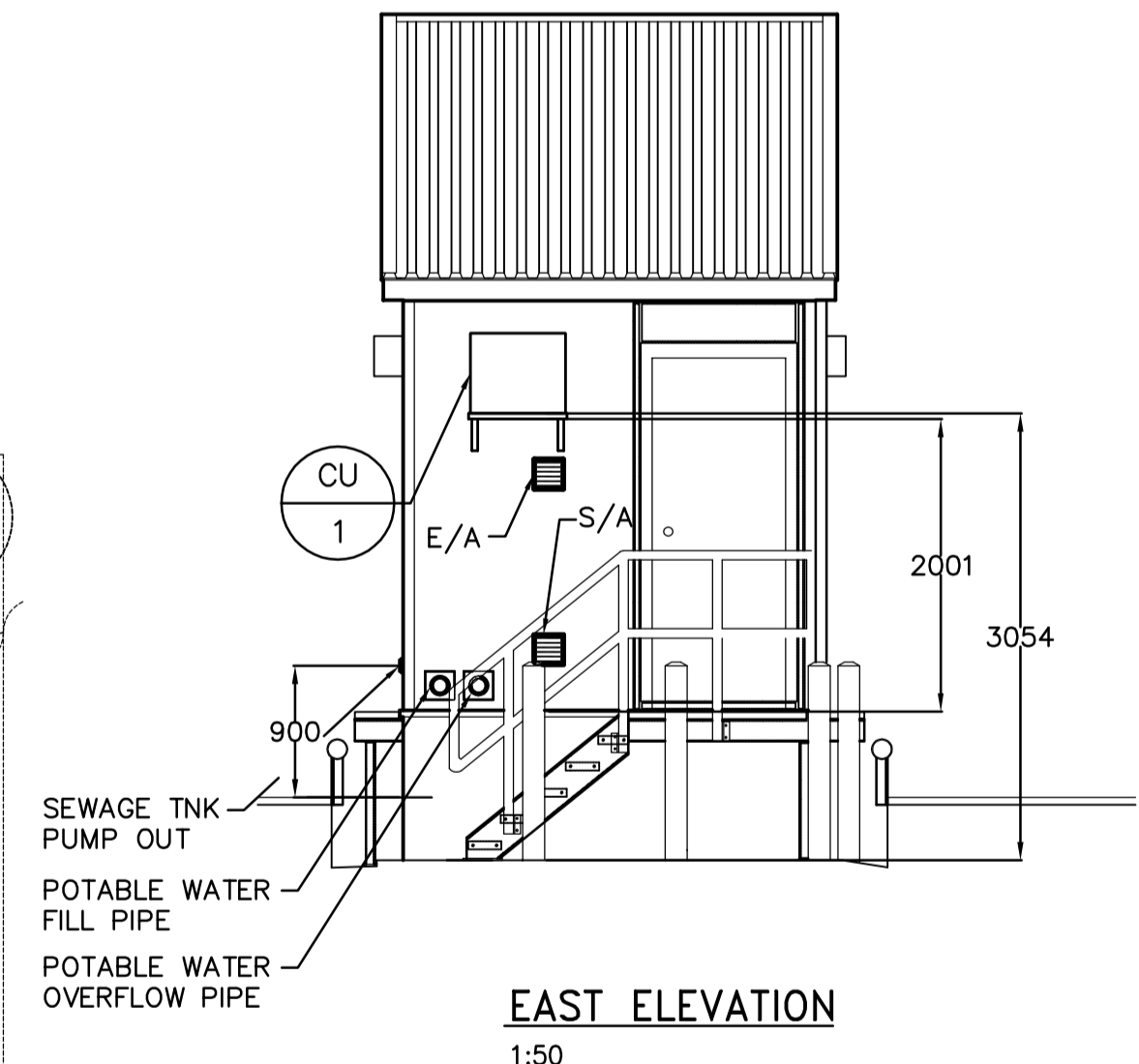
1 PARTIAL MECHANICAL PLUMBING SECTION  
M1.01 1:20



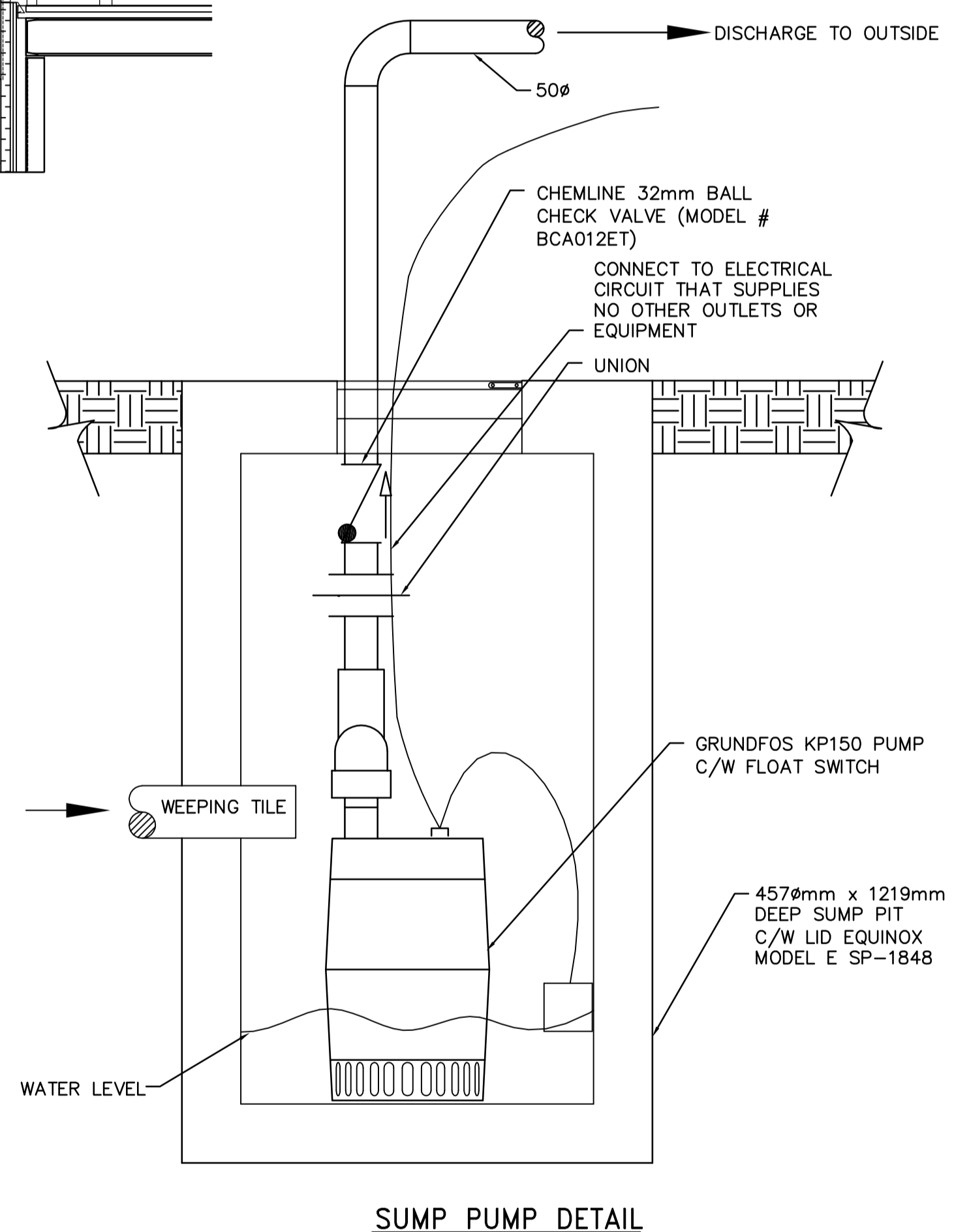
2 PARTIAL MECHANICAL HVAC SECTION  
M1.01 1:20



MECHANICAL CRAWL SPACE PLAN  
1:20



EAST ELEVATION  
1:50



SUMP PUMP DETAIL

<p>Certificate of Authorization Earth Tech Canada Inc. No. 730</p>	B.M. ELEV.			ENGINEER'S SEAL	<p>Winnipeg WATER AND WASTE DEPARTMENT SOLID WASTE SERVICES DIVISION</p>
	DESIGNED BY: DJP	CHECKED BY: PVL	DESIGNED BY: DJP	ORIGINAL SIGNED BY: P. LAITINEN	
	DRAWN BY: DJP	APPROVED BY: TGS	DRAWN BY: DJP	DATE: 2007/07/20	
	SCALE: AS NOTED	RELEASED FOR CONSTRUCTION BY: V. JEANCART	DATE: 2006/08/25	DATE: 2007/07/20	
0 ISSUED FOR TENDER	07/07/20	DJP	CONSULTANT DRAWING NO. M1.02	<p>BRADY RD. LANDFILL NEW ENTRANCE AND SCALE FACILITY</p>	CITY FILE NUMBER
NO. REVISIONS	DATE	BY		<p>MECHANICAL MAIN FLOOR &amp; CRAWLSPACE PLUMBING &amp; HVAC PLAN &amp; SECTIONS</p>	SHEET OF
					CITY DRAWING NUMBER
					SWD-D-387