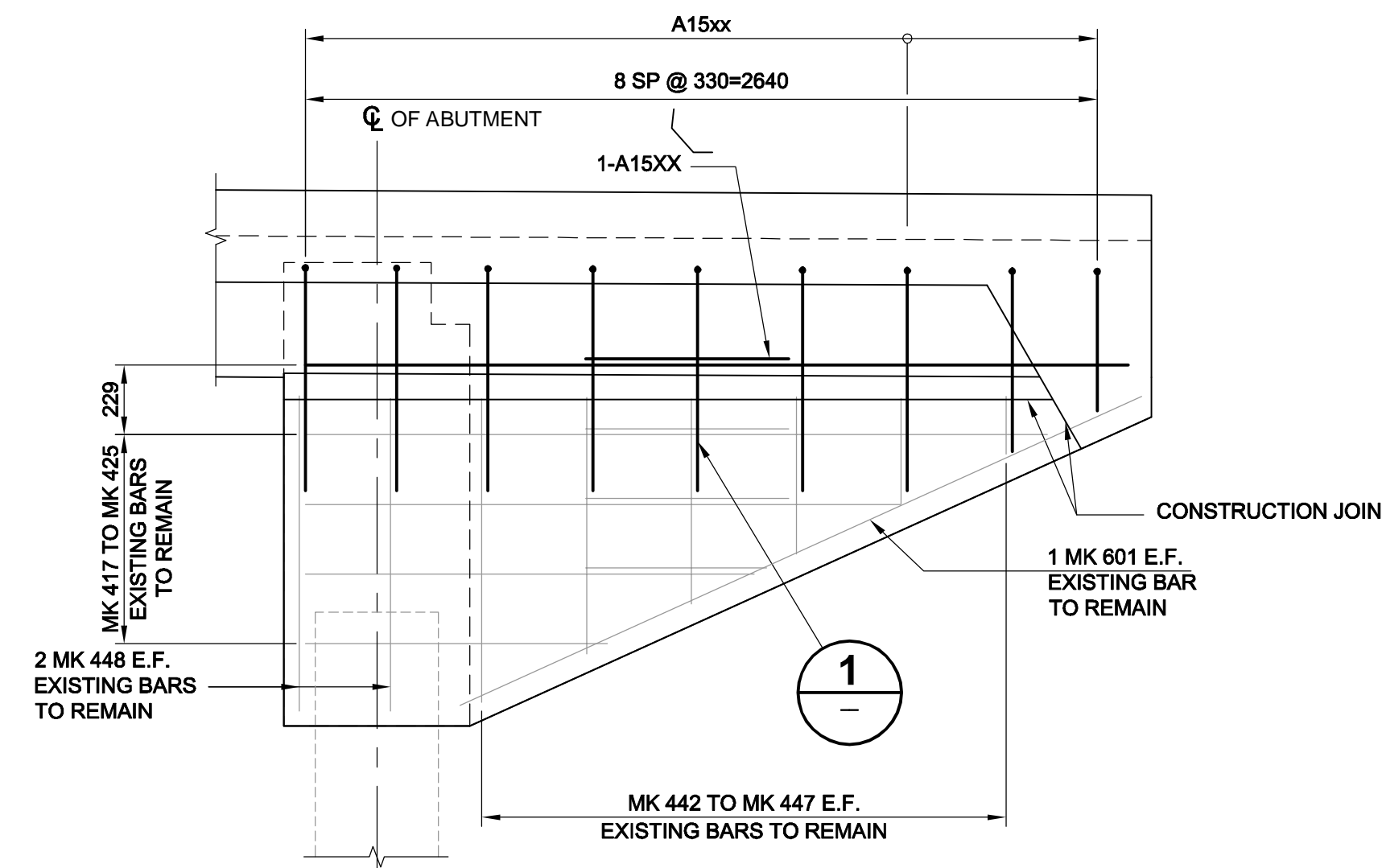
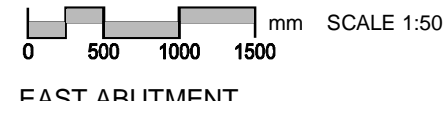
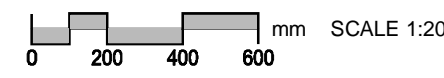


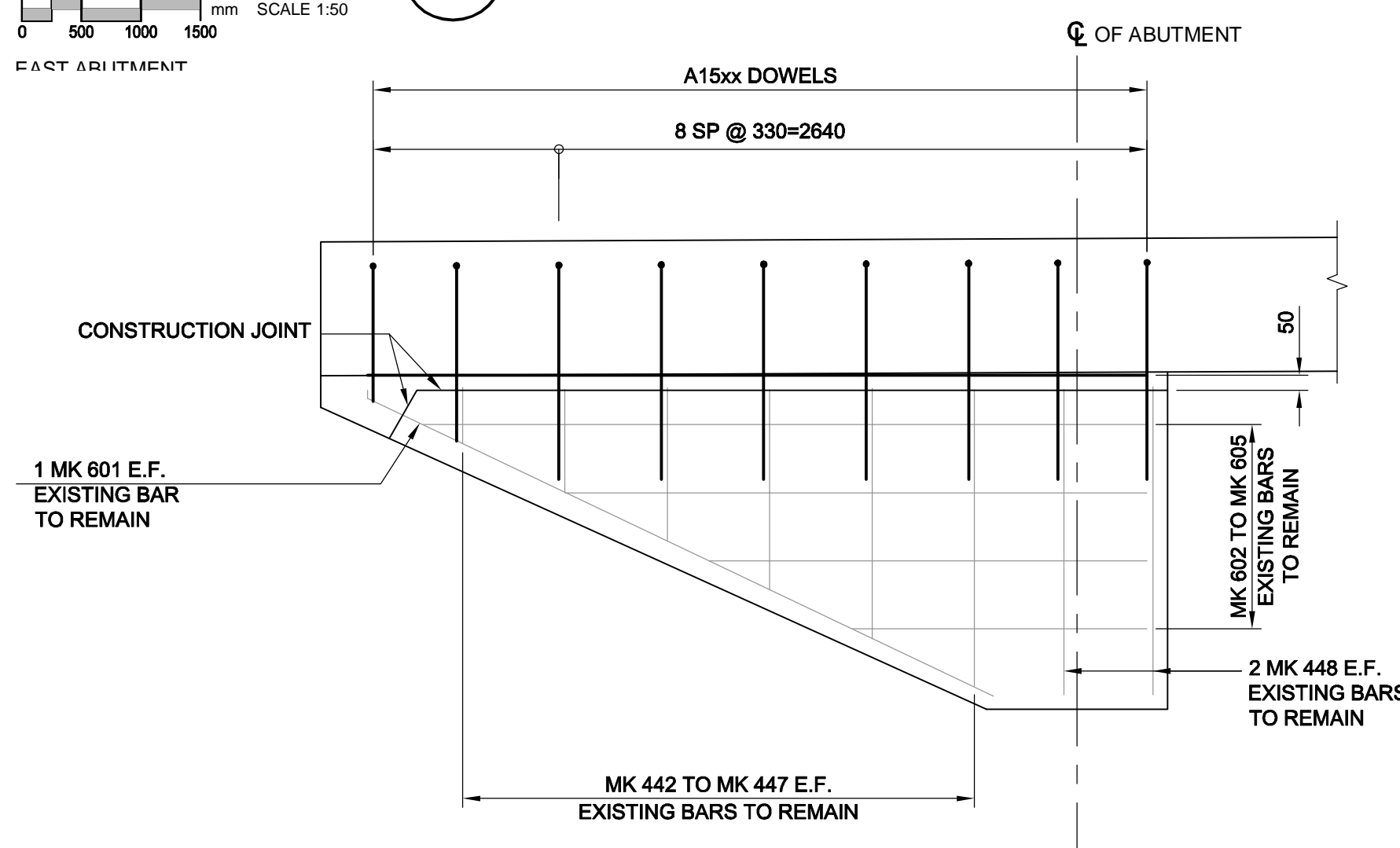
ELEVATION D



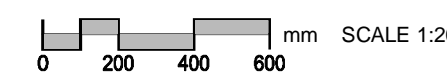
ELEVATION B



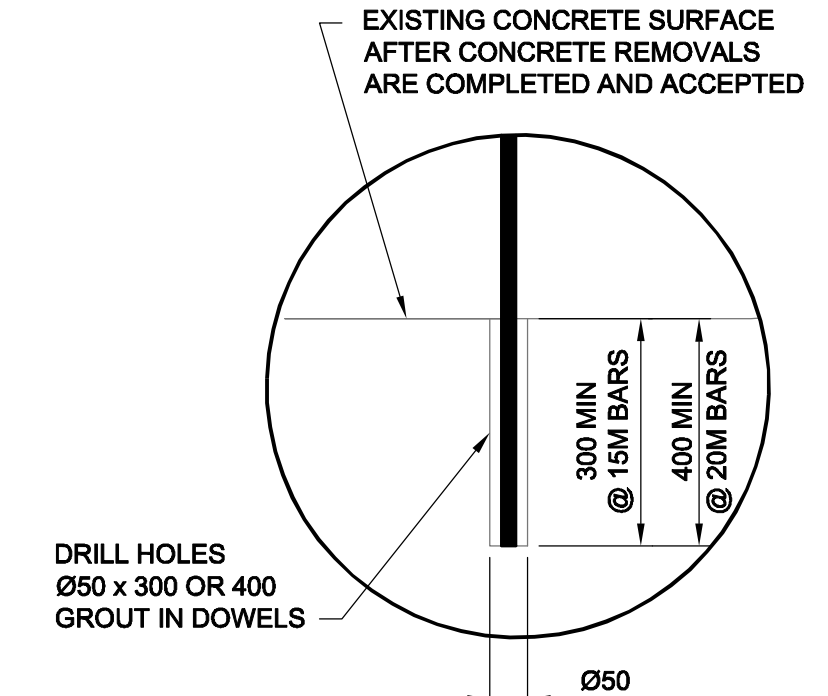
WINGWALL (SE) OUTSIDE FACE



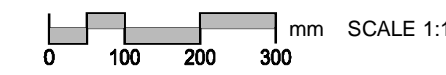
SECTION C



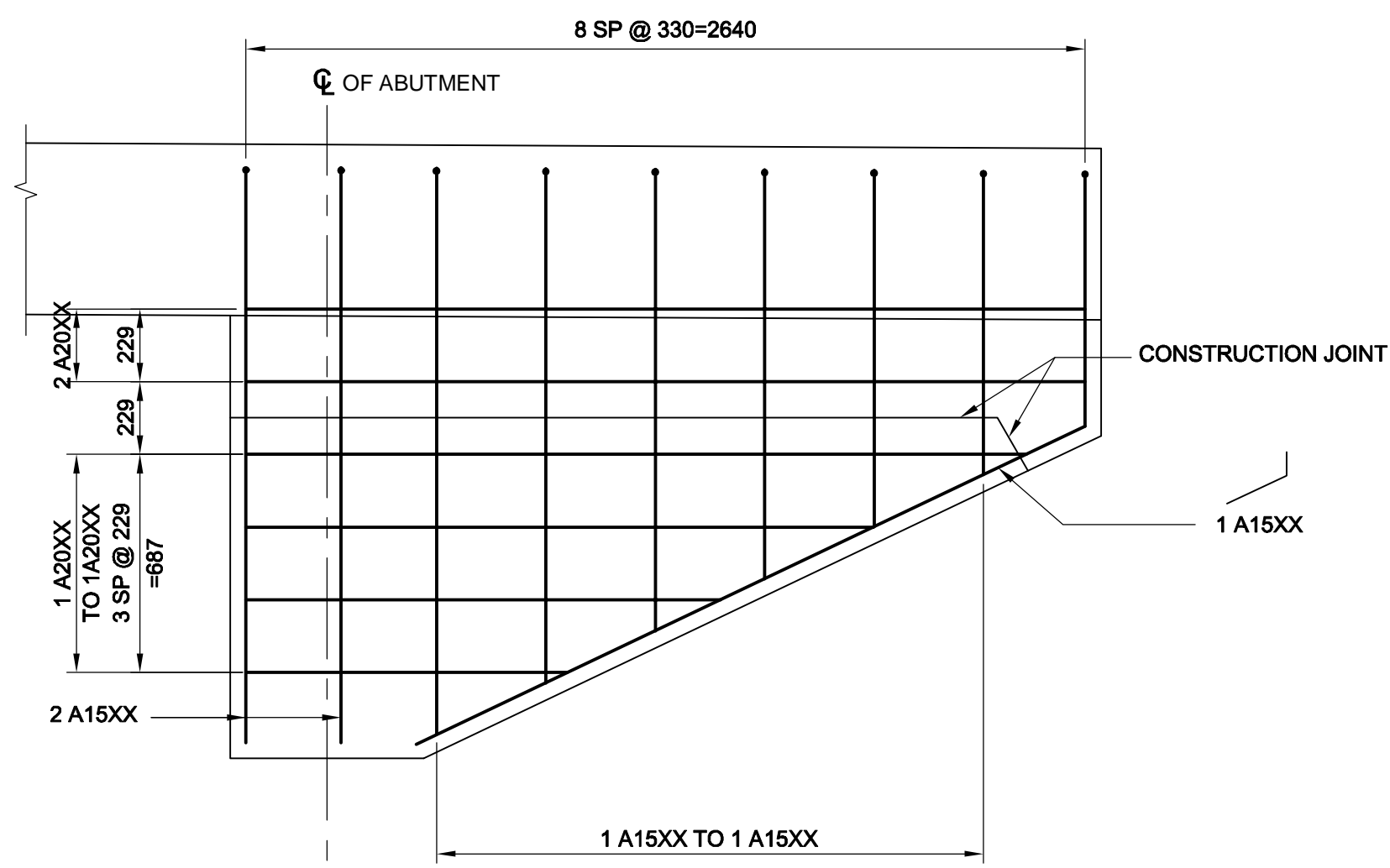
WINGWALL (SE) INSIDE FACE



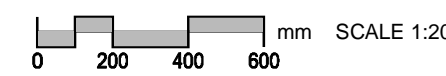
DETAIL 1



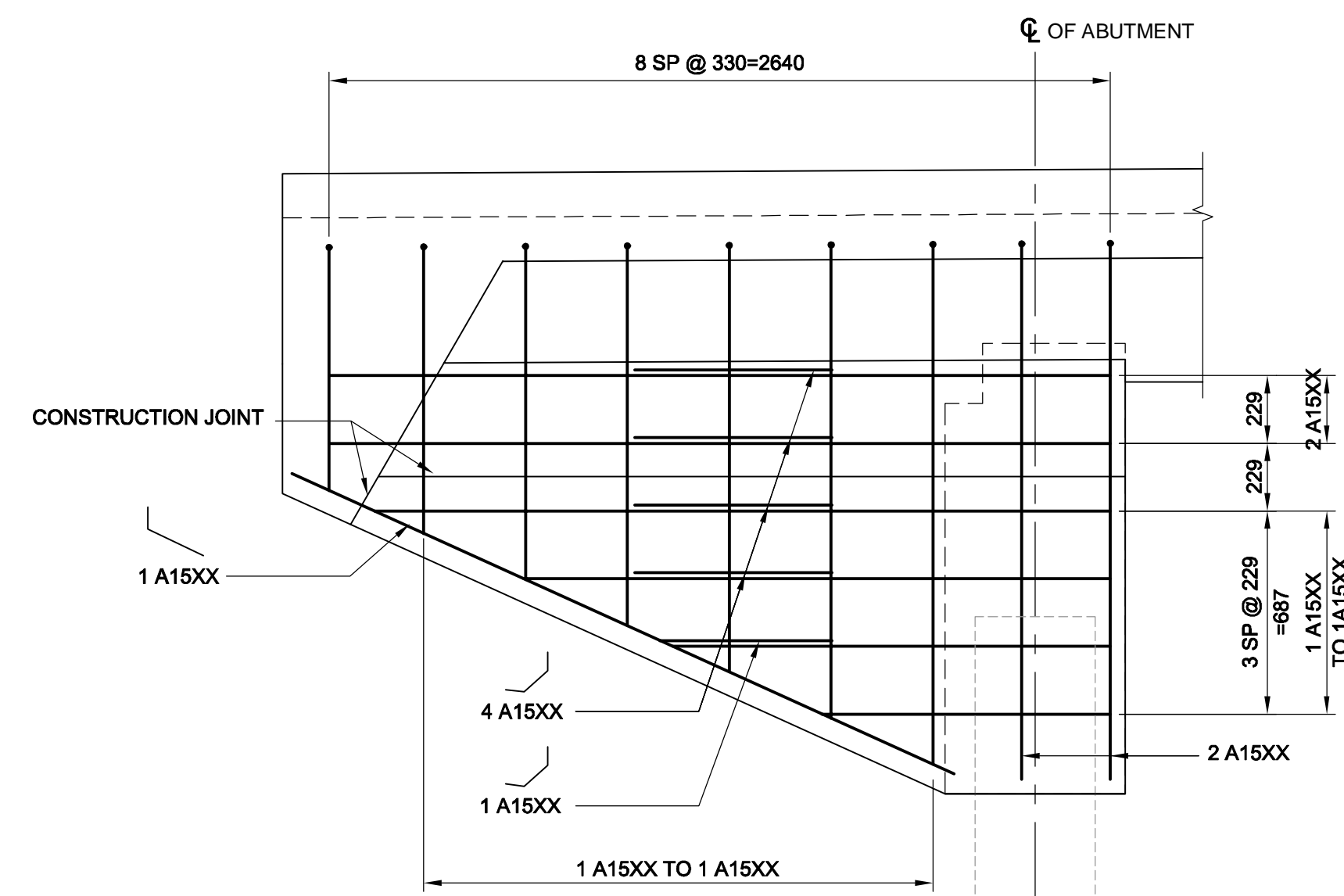
TYPICAL DOWEL INSTALLATION



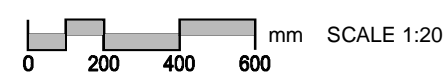
SECTION D



WINGWALL (NE) INSIDE FACE

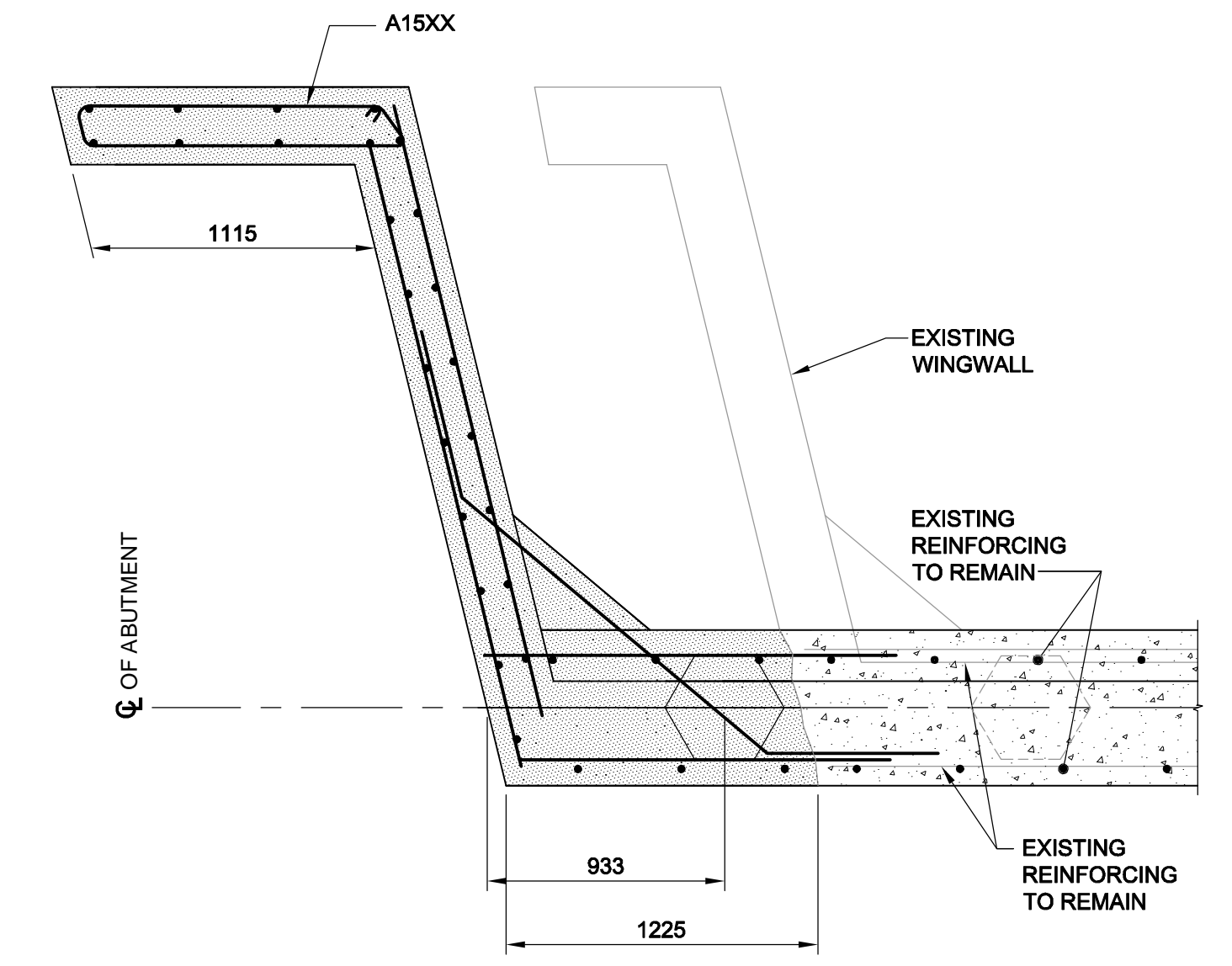


ELEVATION E

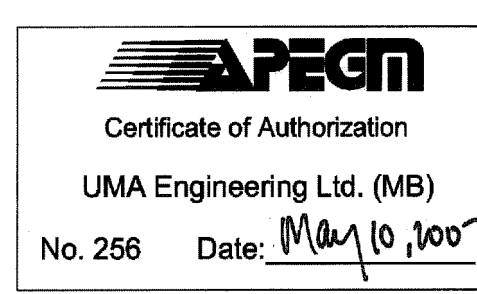
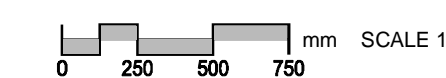


WINGWALL (NE) OUTSIDE FACE

METRIC
WHOLE NUMBERS INDICATE MILLIMETRES
DECIMALIZED NUMBERS INDICATE METRES

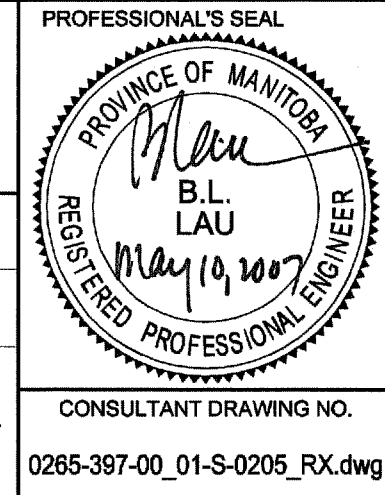


SECTION 2



BM 48-012 ELEV 238.149m			
DESIGNED BY	BLL	CHECKED BY	SBB
DRAWN BY	EDM	APPROVED BY	BWB
HOR. SCALE	AS NOTED	RELEASED FOR CONSTRUCTION	
VERT. SCALE	AS NOTED	DATE	07/03/23
NO.	REVISIONS	YYMMDD	BY

UMA AECOM	
© 2007 UMA ENGINEERING LTD. ALL RIGHTS RESERVED.	
DESIGNED BY	BLL
CHECKED BY	SBB
DRAWN BY	EDM
APPROVED BY	BWB
HOR. SCALE	AS NOTED
VERT. SCALE	AS NOTED
DATE	07/03/23



BID OPPORTUNITY NO. 349-2007

THE CITY OF WINNIPEG
PUBLIC WORKS DEPARTMENT
TRANSPORTATION ENGINEERING DIVISION

HAMILTON AVENUE BRIDGE REHABILITATION
EAST ABUTMENT REINFORCING DETAILS

CITY DRAWING NUMBER: B133-07-09
SHEET 9 OF 30
DRAWING No. 09
REV 0

CONSULTANT DRAWING NO. 0265-397-00_01-S-0205_RX.dwg