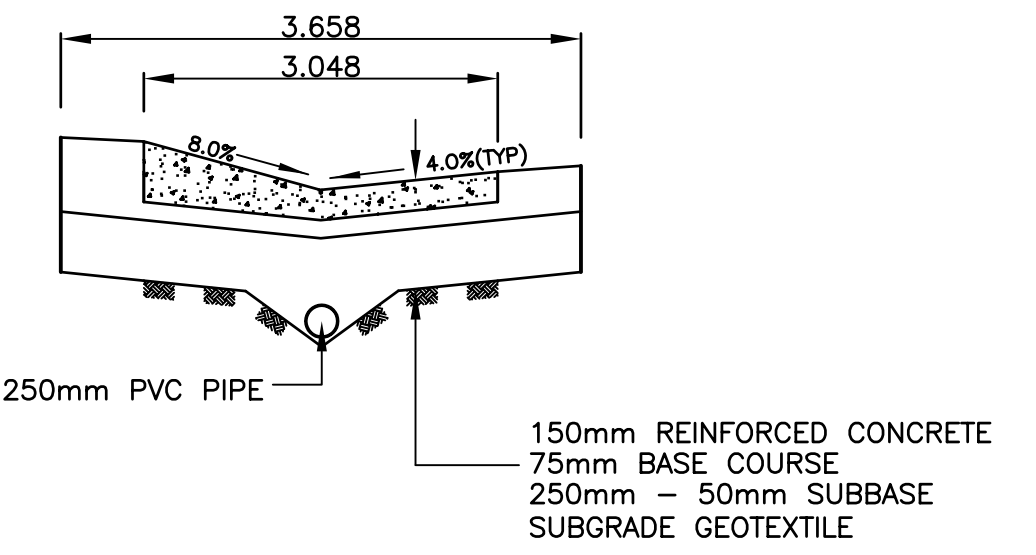
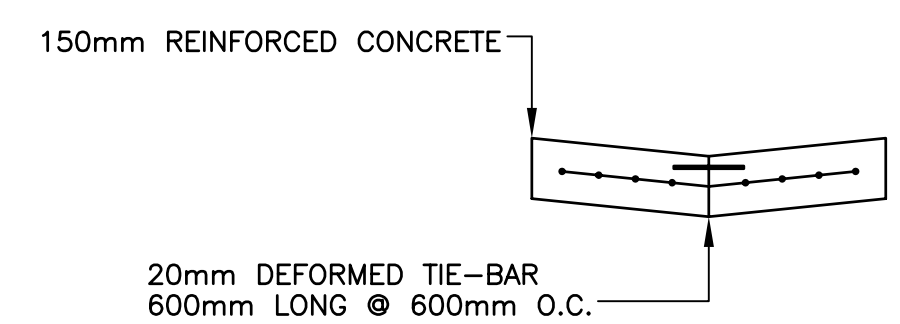
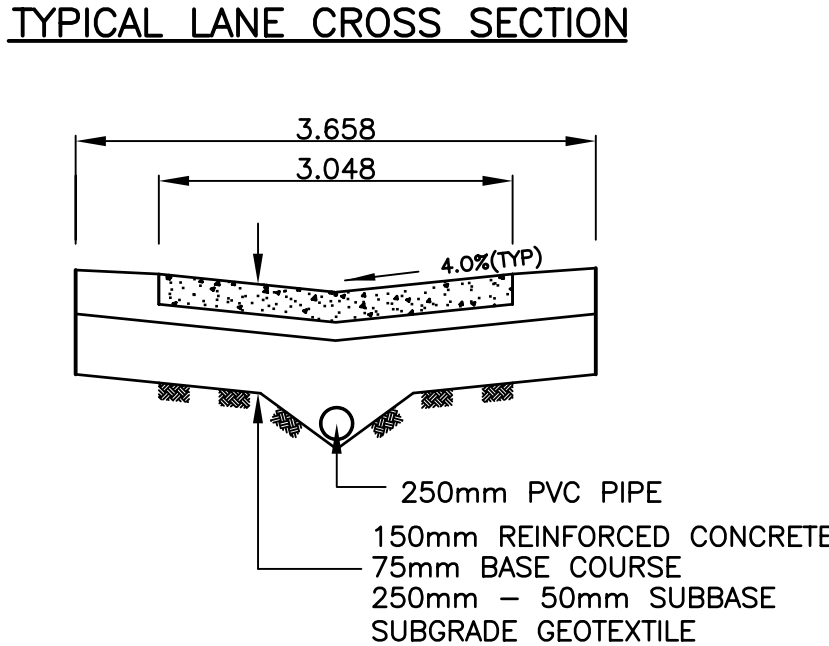
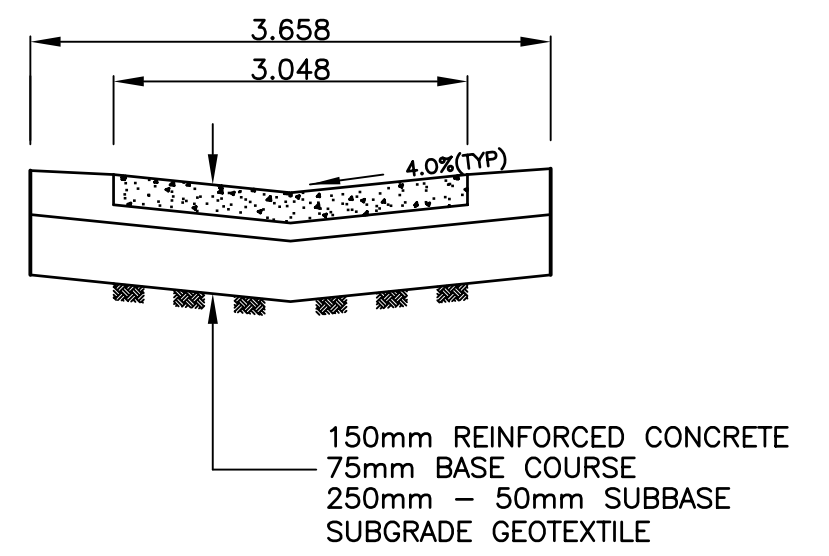
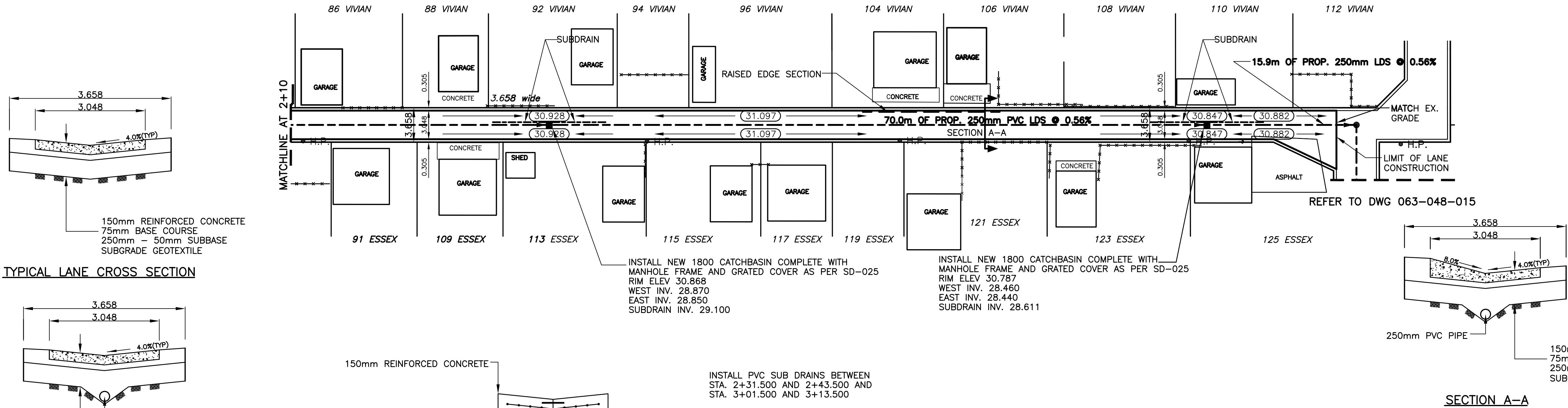
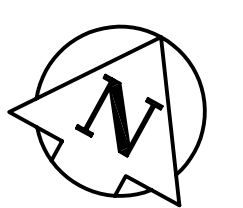


- NOTES:**
- ISOLATE EXISTING HYDRO POLES AS DIRECTED BY CONTRACT ADMINISTRATOR
 - RENEW EXISTING APPROACHES AS DIRECTED BY CONTRACT ADMINISTRATOR
 - MODIFIED BARRIER CURB TO BE USED FOR CURB RENEWAL AT RADII.

CHAINAGE ALONG CENTER OF ROW



TYPICAL LANE CROSS SECTION WITH SUBDRAIN

TYPICAL PAVEMENT CROSS SECTION

SECTION A-A

BENCHMARK:
S.W. COR. VIVIAN AVE. & ST. MARY'S RD., TBLT. IN 7.6 m CONC. PILE, BENEATH VALVE BOX MARKED "W", 6.6 m N. OF C.L. OF VIVIAN AVE. & 2.9 m W. OF W. CURB OF PAVT. OF SOUTHBOUND TRAFFIC LANE OF ST. MARY'S RD., OR 2.2 m S. OF N.L. VIVIAN AVE. PRODUCED FROM E. & 0.3 m E. OF W.L. ST. MARY'S RD.

METRIC
WHOLE NUMBERS INDICATE MILLIMETRES
DECIMALIZED NUMBERS INDICATE METRES

APEGM
Certificate of Authorization
SEG Engineering Inc.
No. 252 Expiry: April 30, 2008

EXISTING	LEGEND - PLAN	PROPOSED	EXISTING	LEGEND - PLAN	PROPOSED	EXISTING	LEGEND - PROFILE	PROPOSED
---	WATERMAIN	---	---	HYDRO	---	---	CENTER LINE	---
---	HYDRANT	---	---	M.T.S.	---	---	NORTH GUTTER LINE	---
---	VALVE	---	---	CONCRETE	---	---	SOUTH GUTTER LINE	---
---	LAND DRAINAGE SEWER	---	---	ASPHALT	---	---	WATERMAIN	---
---	WASTE WATER SEWER	---	---	PROPERTY LINE	---	---	VALVE	---
---	MANHOLE	---	---	SURVEY BAR	---	---	LAND DRAINAGE SEWER	---
---	CATCH BASIN	---	---	CURB STOP	---	---	WASTE WATER SEWER	---
---	CURB INLET	---	---	C.B. LEAD	---	---	JUNCTIONS	---
---	TRAFFIC SIGNAL	---	---	SIDEWALK	---	---	CULVERT	---
---	STEAM HT.	---	---	FENCE LINE	---	---	ASPH./CONC. PAD	---
---	GAS	---	---	ELEVATIONS	---	---	GARAGE PAD	---

LOCATION APPROVED

SUPV. U/G STRUCTURES DATE

NOTE:
LOCATION OF UNDERGROUND STRUCTURES AS SHOWN ARE BASED ON THE BEST INFORMATION AVAILABLE BUT NO GUARANTEE IS GIVEN THAT ALL EXISTING UTILITIES ARE SHOWN OR THAT THE GIVEN LOCATIONS ARE EXACT. CONFIRMATION OF EXISTENCE AND EXACT LOCATION OF ALL SERVICES MUST BE OBTAINED FROM THE INDIVIDUAL UTILITIES BEFORE PROCEEDING WITH CONSTRUCTION.

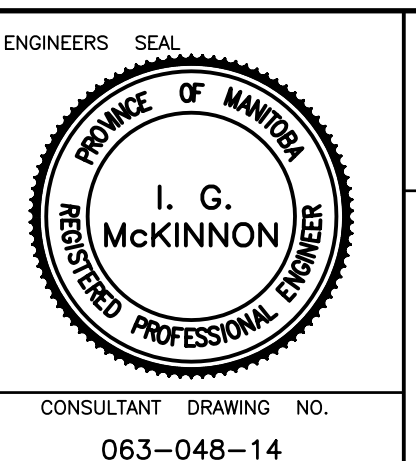
SEG ENGINEERING INC.
200 TACHE AVENUE
WINNIPEG, MANITOBA
(204)-233-2113

DESIGNED BY: D.J.
CHECKED BY: S.M.
DRAWN BY: D.J.
APPROVED BY: I.McK

HOR. SCALE: 1:250
VERT. SCALE: 1:10

RELEASED FOR CONSTRUCTION

DATE: JUNE 2007



THE CITY OF WINNIPEG
PUBLIC WORKS DEPARTMENT

2007 LOCAL IMPROVEMENTS
VIVIAN/ESSEX LANE
LANE PAVEMENT

FROM MATCHLINE AT STATION 2+10
TO EX. PAVEMENT AT STATION 3+21.285

CITY DRAWING NO. 344-2007
SHEET 2 OF 3