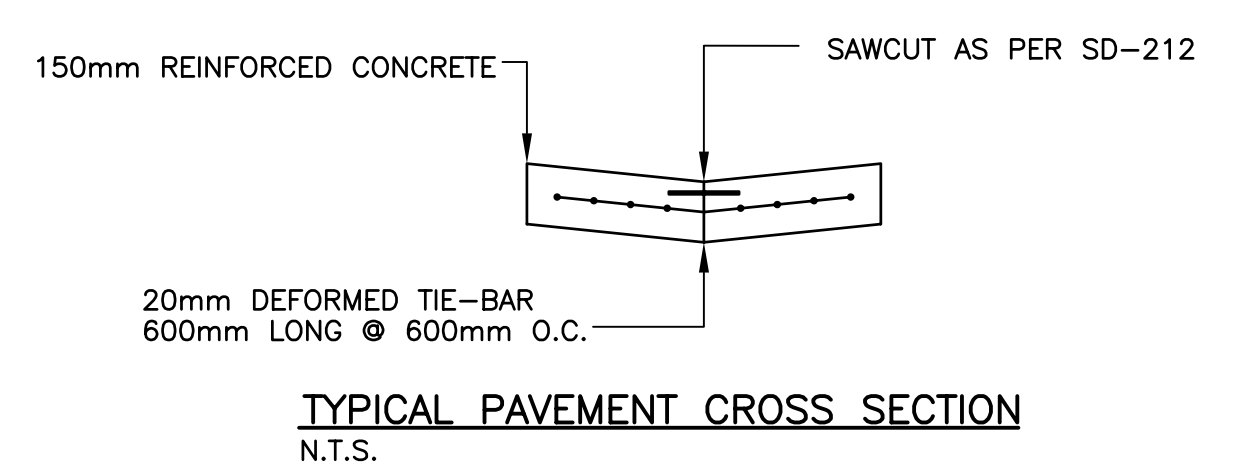
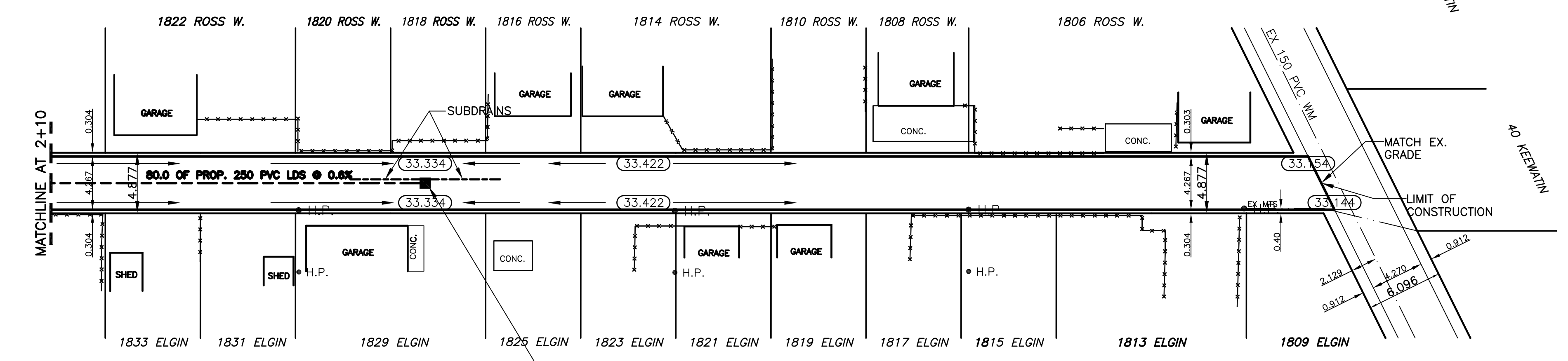
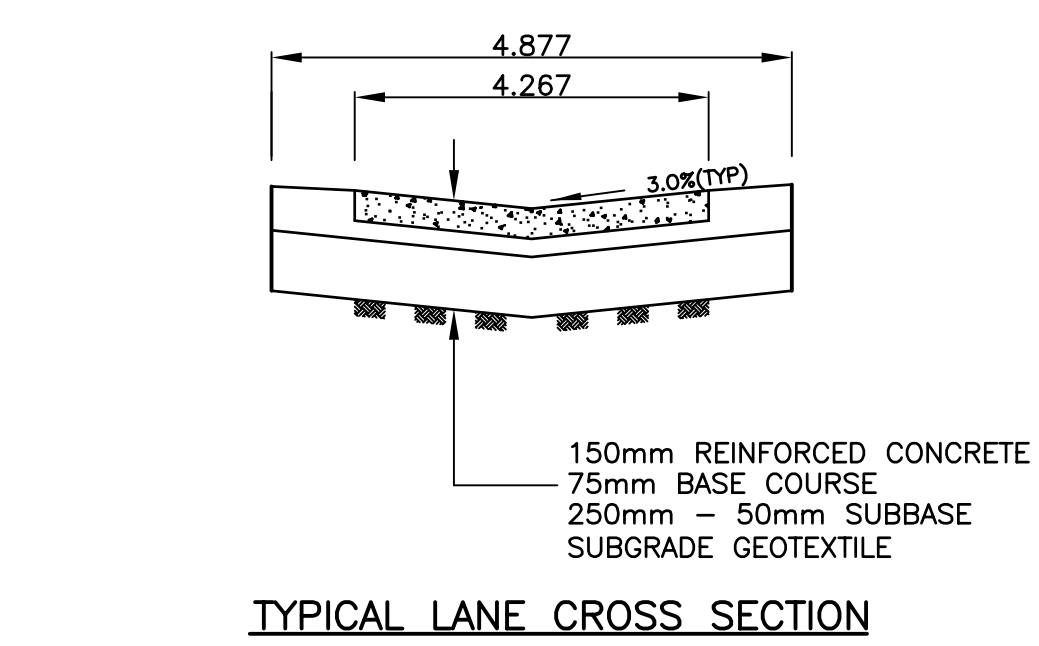
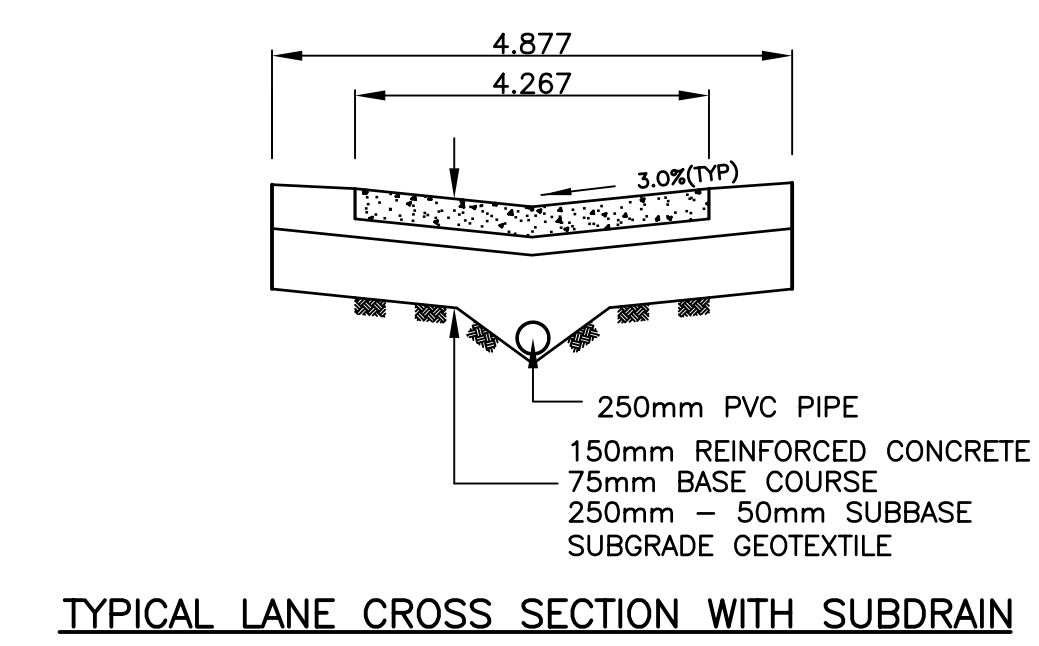


- NOTES:**
- ISOLATE EXISTING HYDRO POLES AS DIRECTED BY CONTRACT ADMINISTRATOR
  - RENEW EXISTING APPROACHES AS DIRECTED BY CONTRACT ADMINISTRATOR
  - MODIFIED BARRIER CURB TO BE USED FOR CURB RENEWAL AT RADII.



EXISTING	LEGEND - PLAN	PROPOSED	EXISTING	LEGEND - PLAN	PROPOSED	EXISTING	LEGEND - PROFILE	PROPOSED
---	WATERMAIN	---	---	HYDRO	---	---	CENTER LINE	---
---	HYDRANT VALVE	---	---	M.T.S. CONCRETE	---	---	NORTH GUTTER LINE	---
---	LAND DRAINAGE SEWER	---	---	ASPHALT	---	---	SOUTH GUTTER LINE	---
---	WASTE WATER SEWER	---	---	PROPERTY LINE	---	---	WATERMAIN	---
---	MANHOLE	---	---	SURVEY BAR	---	---	VALVE	---
---	CATCH BASIN	---	---	CURB STOP	---	---	LAND DRAINAGE SEWER	---
---	CURB INLET	---	---	C.B. LEAD	---	---	WASTE WATER SEWER	---
---	TRAFFIC SIGNAL	---	---	SIDEWALK	---	---	JUNCTIONS	---
---	STEAM HT.	---	---	FENCE LINE	---	---	CULVERT	---
---	GAS	---	---	ELEVATIONS	---	---	ASPH./CONC. PAD	---
---		---	---		---	---	GARAGE PAD	---

**LOCATION APPROVED**

SUPV. U/G STRUCTURES DATE

**NOTE:**  
 LOCATION OF UNDERGROUND STRUCTURES AS SHOWN ARE BASED ON THE BEST INFORMATION AVAILABLE BUT NO GUARANTEE IS GIVEN THAT ALL EXISTING UTILITIES ARE SHOWN OR THAT THE GIVEN LOCATIONS ARE EXACT. CONFIRMATION OF EXISTENCE AND EXACT LOCATION OF ALL SERVICES MUST BE OBTAINED FROM THE INDIVIDUAL UTILITIES BEFORE PROCEEDING WITH CONSTRUCTION.

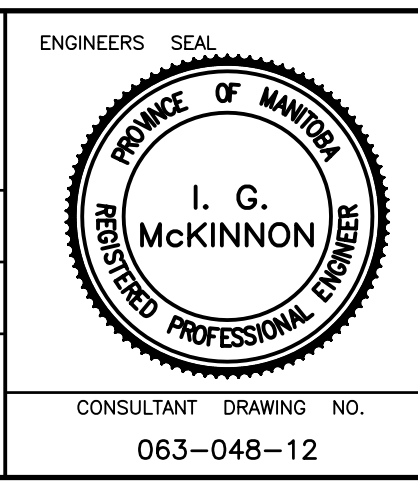
**SEG ENGINEERING INC.**  
 200 TACHE AVENUE  
 WINNIPEG, MANITOBA  
 (204)-233-2113

DESIGNED BY: D.J.  
 CHECKED BY: S.M.  
 DRAWN BY: D.J.  
 APPROVED BY: I.McK

HOR. SCALE: 1:250  
 VERT. SCALE: 1:10

RELEASED FOR CONSTRUCTION

DATE: JUNE 2007



**THE CITY OF WINNIPEG**  
 PUBLIC WORKS DEPARTMENT

**2007 LOCAL IMPROVEMENTS**  
**ROSS WEST/ELGIN LANE PAVEMENT**  
 FROM MATCHLINE AT STATION 2+10 TO EX. PAVEMENT AT STATION 3+12.921

CITY DRAWING NO. SHEET 2 OF 2  
**344-2007**

DATE: 2008

**APEGM**  
 Certificate of Authorization  
 SEG Engineering Inc.  
 No. 252 Expiry: April 30, 2008

**METRIC**  
 WHOLE NUMBERS INDICATE MILLIMETRES  
 DECIMALIZED NUMBERS INDICATE METRES