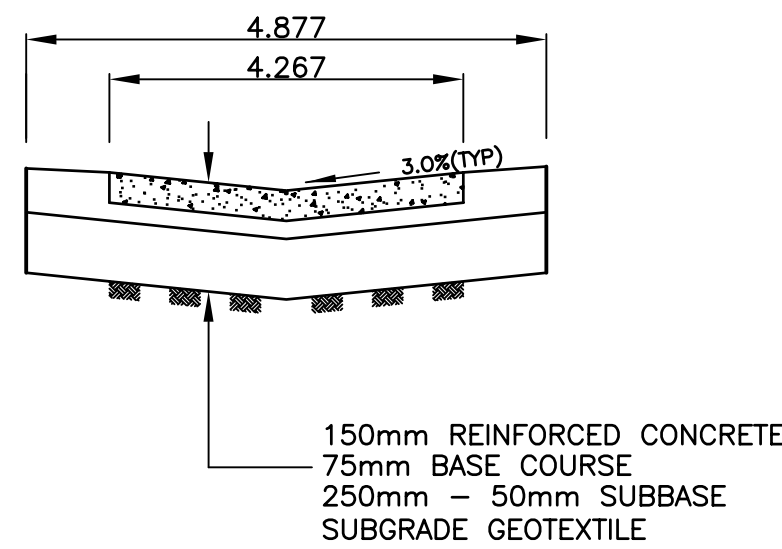
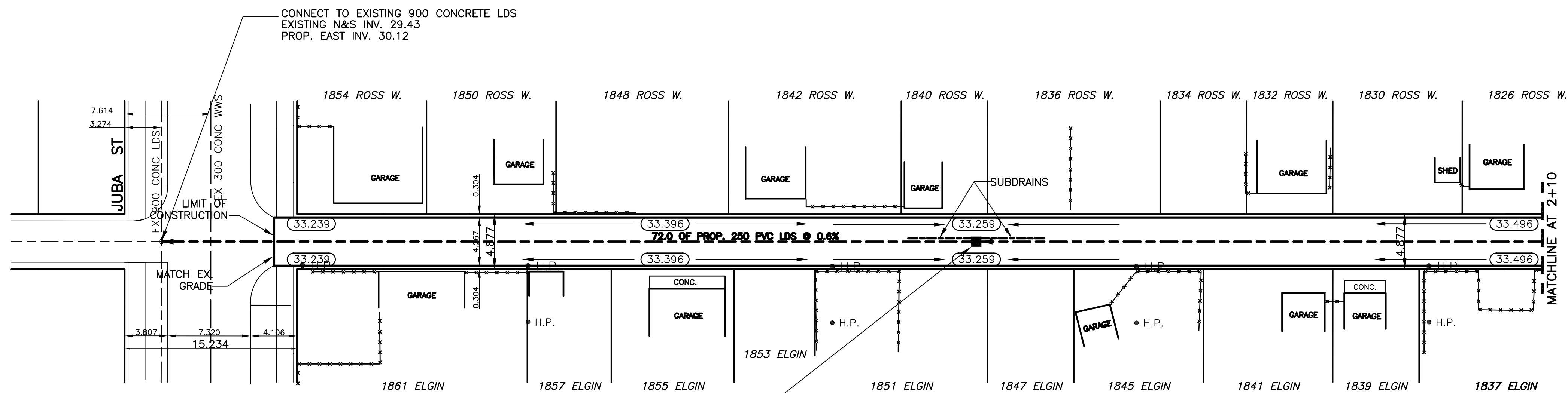
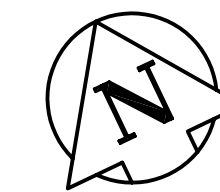


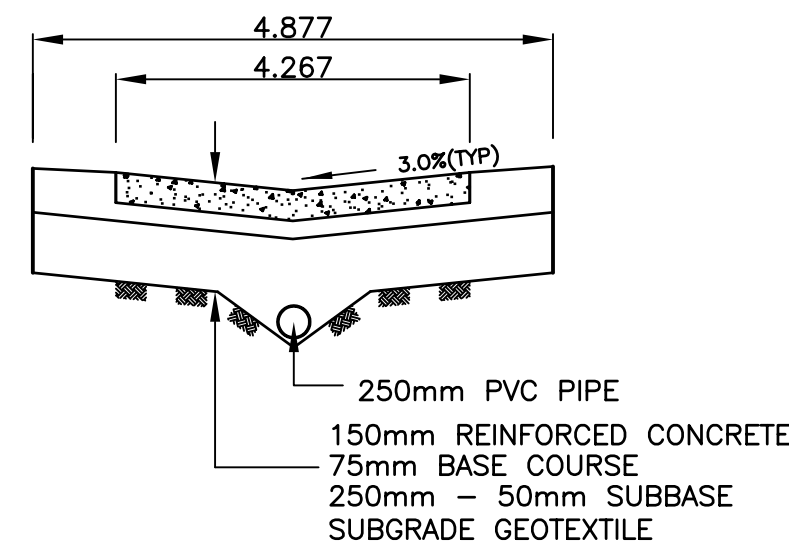
CHAINAGE ALONG CENTER OF ROW

NOTES:

- ISOLATE EXISTING HYDRO POLES AS DIRECTED BY CONTRACT ADMINISTRATOR
- RENEW EXISTING APPROACHE AS DIRECTED BY CONTRACT ADMINISTRATOR
- MODIFIED BARRIER CURB TO BE USED FOR CURB RENEWAL AT RADII.



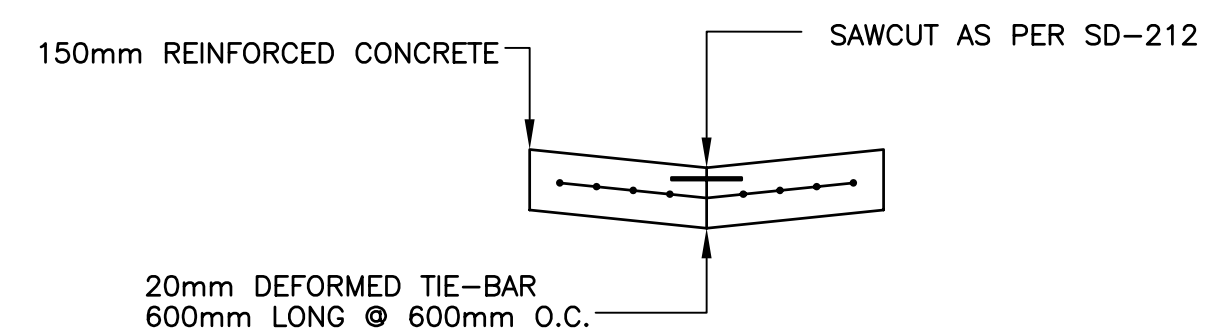
TYPICAL LANE CROSS SECTION



TYPICAL LANE CROSS SECTION WITH SUBDRAIN

INSTALL NEW 1800 CATCHBASIN COMPLETE WITH MANHOLE FRAME AND GRATED COVER AS PER SD-025
RIM 33.195
EAST INV. 31.14
WEST INV. 31.14
BOTTOM ELEV. 30.54

INSTALL PVC SUB DRAINS BETWEEN STA. 1+54 AND 1+66



TYPICAL PAVEMENT CROSS SECTION N.T.S.

METRIC
WHOLE NUMBERS INDICATE MILLIMETRES
DECIMALIZED NUMBERS INDICATE METRES

BENCHMARK:
S.E. COR. ROSS AVE. & KEEWATIN ST., TBLT IN W. CONC. FOUNDATION NO. 53
KEEWATIN ST., 4.0 m N & 0.35 m BELOW STUCCO OF S.W. COR. OF BLDG.

APEGM
Certificate of Authorization
SEG Engineering Inc.
No. 252 Expiry: April 30, 2008

EXISTING	LEGEND - PLAN	PROPOSED	EXISTING	LEGEND - PLAN	PROPOSED	EXISTING	LEGEND - PROFILE	PROPOSED
---	WATERMAIN	---	---	HYDRO	---	---	CENTER LINE	---
+	HYDRANT	+	+	M.T.S.	+	---	NORTH GUTTER LINE	---
+	VALVE	+	+	CONCRETE	+	---	SOUTH GUTTER LINE	---
---	LAND DRAINAGE SEWER	---	---	ASPHALT	---	---	WATERMAIN	---
---	WASTE WATER SEWER	---	---	PROPERTY LINE	---	---	VALVE	---
○	MANHOLE	○	○	SURVEY BAR	○	---	LAND DRAINAGE SEWER	---
□	CATCH BASIN	□	□	CURB STOP	□	---	WASTE WATER SEWER	---
△	CURB INLET	△	△	C.B. LEAD	△	---	JUNCTIONS	---
---	TRAFFIC SIGNAL	---	---	SIDEWALK	---	---	CULVERT	---
---	STEAM HT.	---	---	FENCE LINE	---	---	ASPH./CONC. PAD	---
---	GAS	---	---	ELEVATIONS	---	---	GARAGE PAD	---
---	---	---	---	---	---	---	---	---

LOCATION APPROVED

SUPV.	U/G	STRUCTURES	DATE

NOTE:
LOCATION OF UNDERGROUND STRUCTURES AS SHOWN ARE BASED ON THE BEST INFORMATION AVAILABLE BUT NO GUARANTEE IS GIVEN THAT ALL EXISTING UTILITIES ARE SHOWN OR THAT THE GIVEN LOCATIONS ARE EXACT. CONFIRMATION OF EXISTENCE AND EXACT LOCATION OF ALL SERVICES MUST BE OBTAINED FROM THE INDIVIDUAL UTILITIES BEFORE PROCEEDING WITH CONSTRUCTION.

NO.	REVISIONS	DATE	BY

SEG ENGINEERING INC.
200 TACHE AVENUE
WINNIPEG, MANITOBA
(204)-233-2113

DESIGNED BY: D.J.	CHECKED BY: S.M.
DRAWN BY: D.J.	APPROVED BY: I.McK
HOR. SCALE: 1:250	RELEASED FOR CONSTRUCTION: _____
VERT. SCALE: 1:10	DATE: JUNE 2007

ENGINEERS SEAL
I. G. McKINNON
REGISTERED PROFESSIONAL ENGINEER
CONSULTANT DRAWING NO. 063-048-11

THE CITY OF WINNIPEG
PUBLIC WORKS DEPARTMENT

2007 LOCAL IMPROVEMENTS
ROSS WEST/ELGIN LANE PAVEMENT
FROM JUBA STREET TO MATCHLINE AT STATION 2+10

CITY DRAWING NO. SHEET 1 OF 2
344-2007