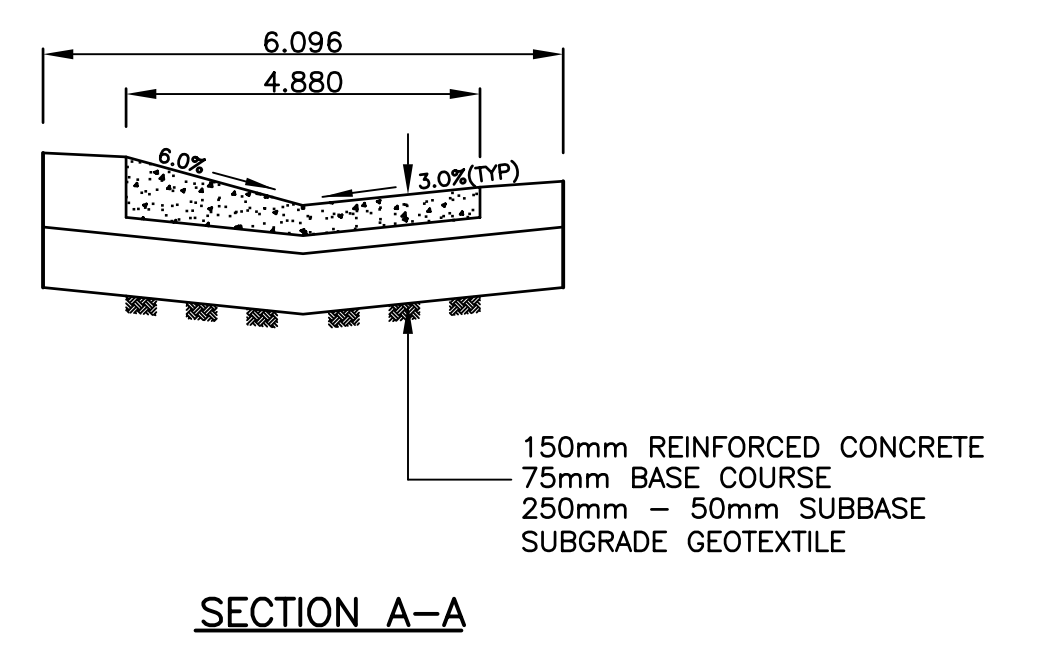
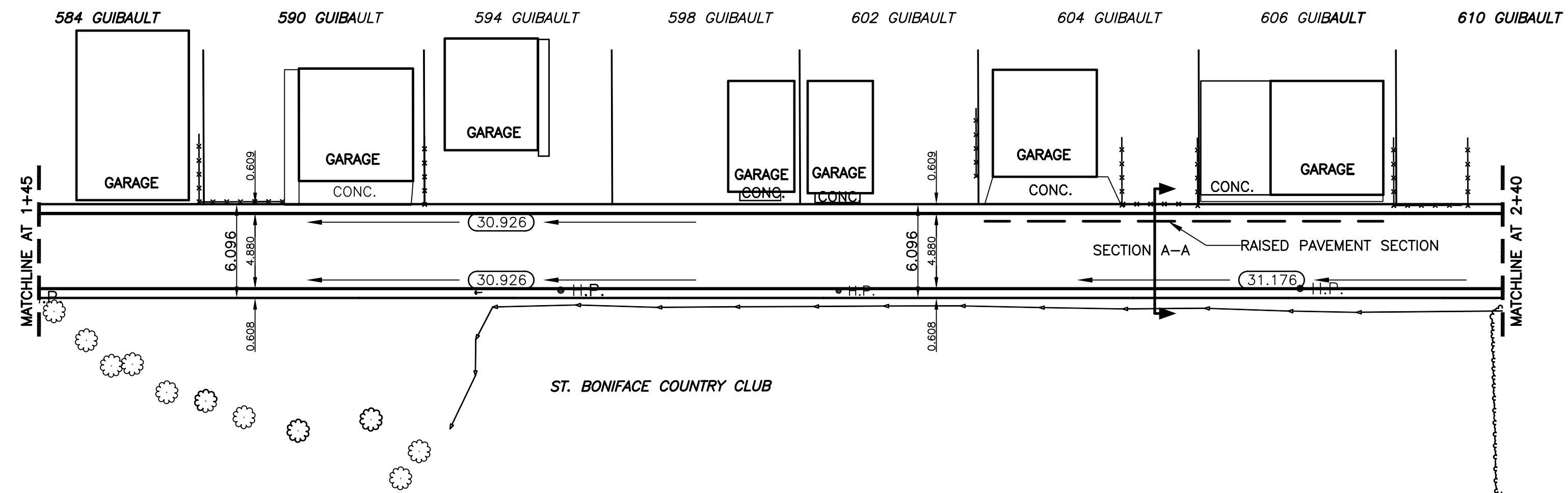
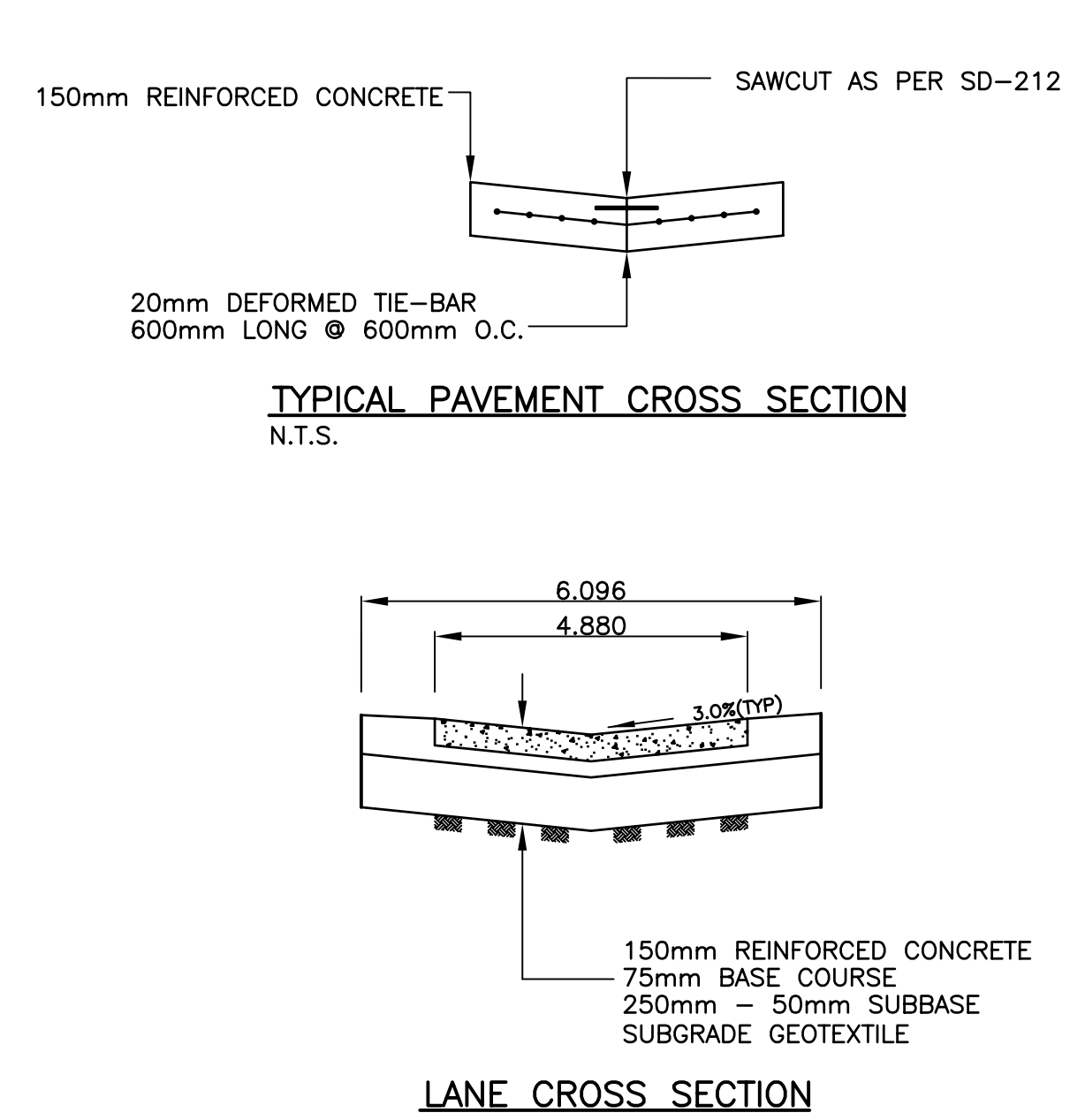
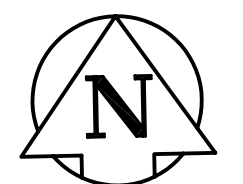


- NOTES:**
- ISOLATE EXISTING HYDRO POLES AS DIRECTED BY CONTRACT ADMINISTRATOR
 - RENEW EXISTING APPROACHES AS DIRECTED BY CONTRACT ADMINISTRATOR
 - MODIFIED BARRIER CURB TO BE USED FOR CURB RENEWAL AT RADII.



BENCHMARK:
 N.E. CORNER OF ELIZABETH RD. AND C.P.R. EMERSON SUBD. E. OF RUE ARCHBALD.,
 TBLT. IN 7.6m CONC. PILE, 7.7m E. OF E. RAIL OF TRACKS AND 6.8m N. OF C.L.
 OF PAVEMENT OF ELIZABETH RD.

METRIC
 WHOLE NUMBERS INDICATE MILLIMETRES
 DECIMALIZED NUMBERS INDICATE METRES

APCGM
 Certificate of Authorization
 SEG Engineering Inc.
 No. 252 Expiry: April 30, 2008

THE CITY OF WINNIPEG
 PUBLIC WORKS DEPARTMENT

2007 LOCAL IMPROVEMENTS
GUILBAULT/ARCHBALD LANES
LANE PAVEMENT
 FROM MATCHLINE AT 1+45
 TO MATCHLINE AT 2+40

CITY DRAWING NO.
 SHEET 2 OF 4
344-2007

---	WATERMAIN	---	HYDRO	---	CENTER LINE	---	LOCATION APPROVED
⊕	HYDRANT VALVE	⊕	M.T.S. CONCRETE	---	NORTH GUTTER LINE	---	B.M. ELEV.
---	LAND DRAINAGE SEWER	---	ASPHALT	---	SOUTH GUTTER LINE	---	CWN: 33-008 231.859
---	WASTE WATER SEWER	---	PROPERTY LINE	---	WATERMAIN	---	DESIGNED BY S.M./R.H.
○	MANHOLE	⊕	SURVEY BAR	---	VALVE	---	CHECKED BY S.M.
□	CATCH BASIN	⊕	CURB STOP	---	LAND DRAINAGE SEWER	---	APPROVED BY I.McK.
△	CURB INLET	⊕	C.B. LEAD	---	WASTE WATER SEWER	---	RELEASED FOR CONSTRUCTION XXXX
---	TRAFFIC SIGNAL	---	SIDEWALK	---	JUNCTIONS	---	ORIGINALLY SIGNED BY
---	STEAM HT.	---	FENCE LINE	---	CULVERT	---	DATE XXXX
---	GAS	---	ELEVATIONS	---	ASPH./CONC. PAD	---	CONSULTANT DRAWING NO. 048-048-05
---	EXISTING	---	PROPOSED	---	GARAGE PAD	---	

---	EXISTING	---	PROPOSED
---	LEGEND - PLAN	---	PROPOSED
---	EXISTING	---	PROPOSED
---	LEGEND - PROFILE	---	PROPOSED

SEG ENGINEERING INC.
 200 TACHE AVENUE
 WINNIPEG, MANITOBA
 (204)-233-2113

DESIGNED BY S.M./R.H.
 DRAWN BY R.H.
 HOR. SCALE: 1:250
 VERT. SCALE: 1:10
 DATE: JUNE 2007

