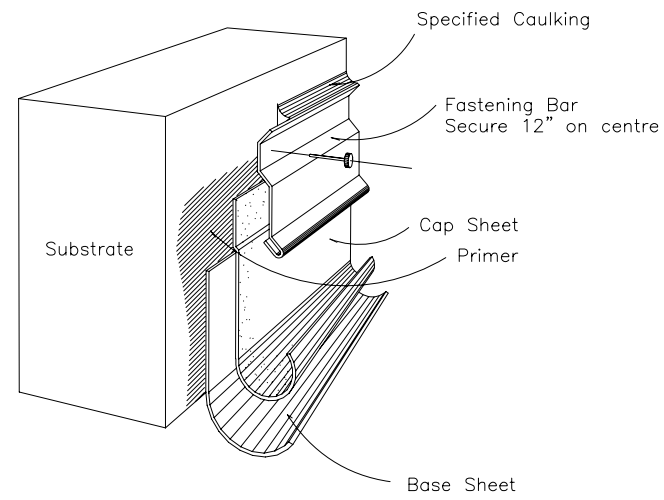
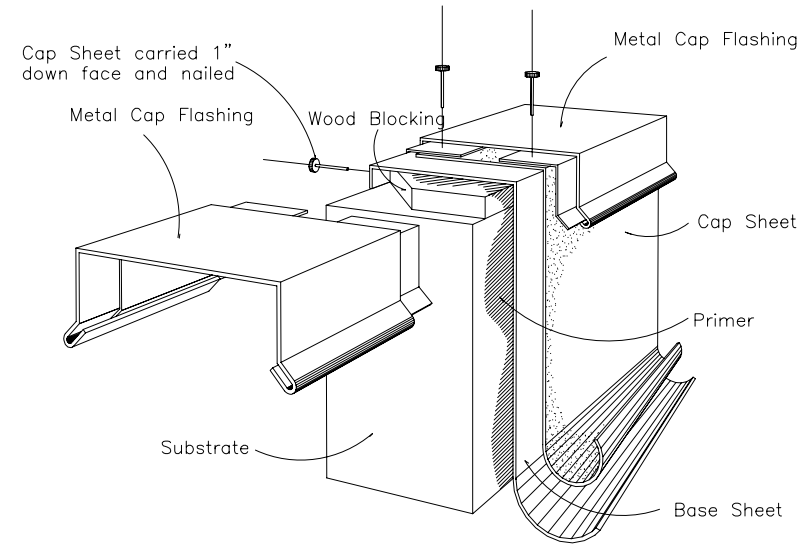


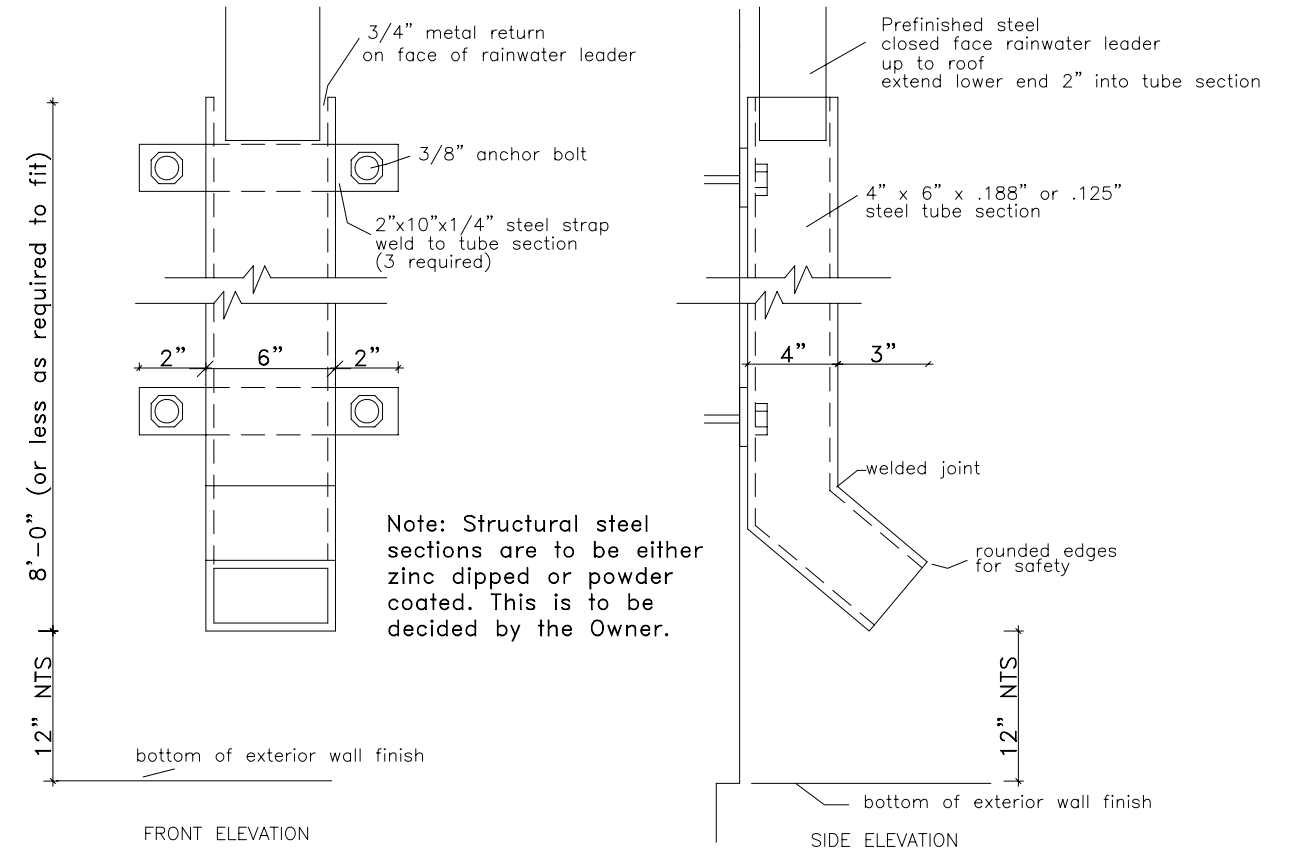
Typical Fastening Bar



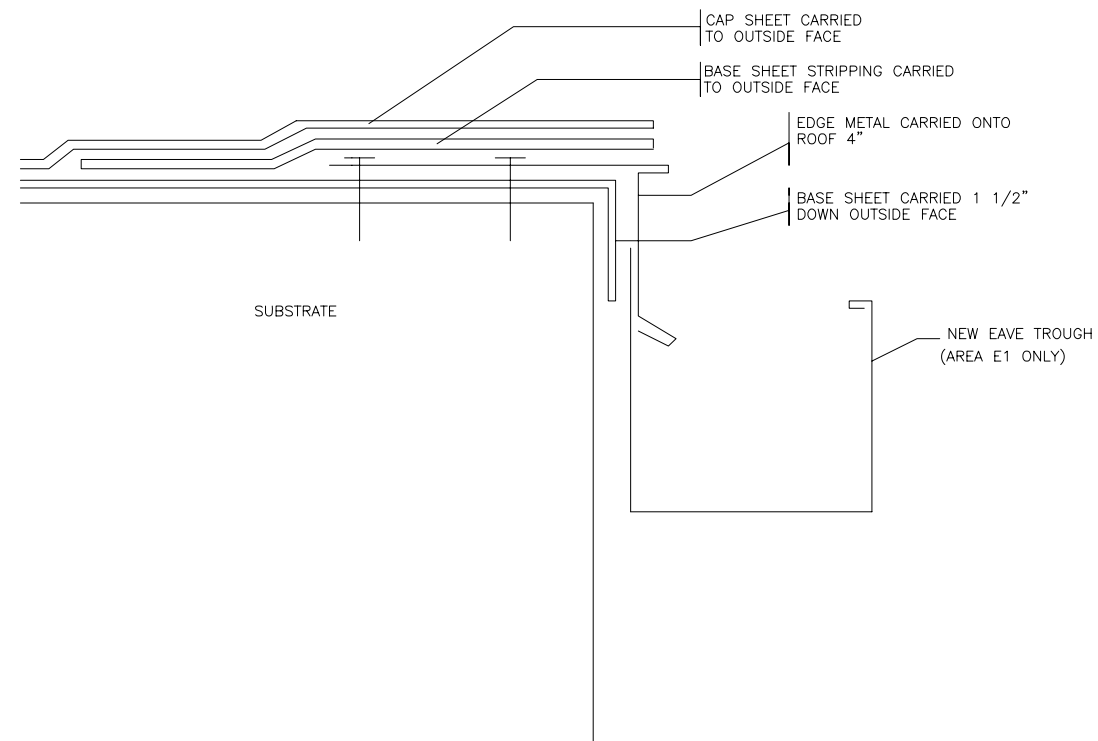
Typical Control Joint Cap



Structural Down Pipes



Drip Edge with Trough



AGASSIZ CONSULTING GROUP

809 Pipeline Road, Winnipeg, Manitoba
Phone: 697-8091 Fax: 697-8039

Project: **Bord-Aire Community Center**
471 Hampton Street
Winnipeg, MB

Date: **January 16, 2007**

Drawing No. **D-1**

File no: **3573-07** Scale: **N.T.S.**