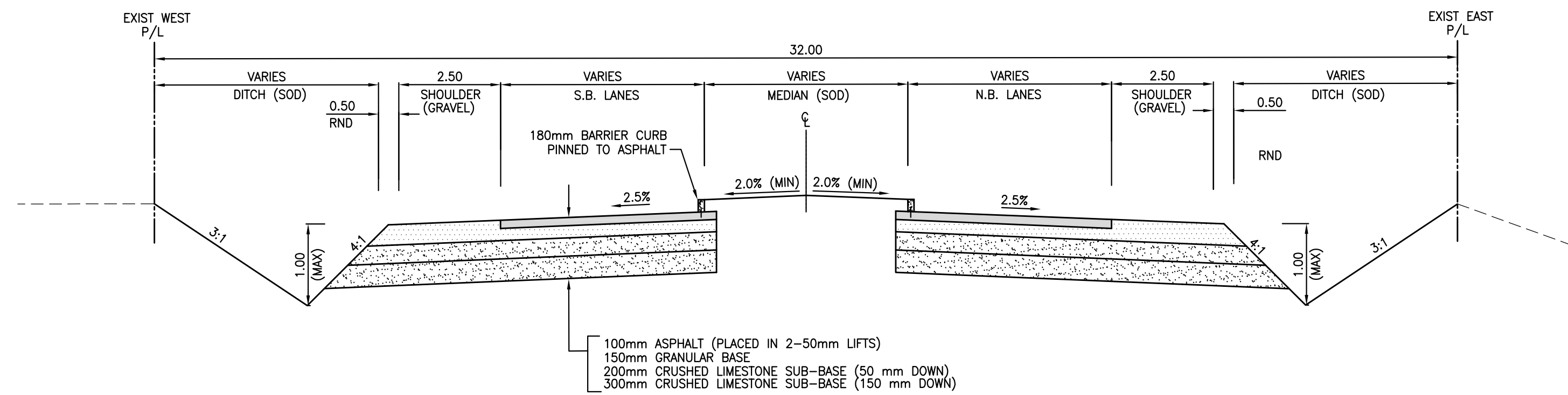
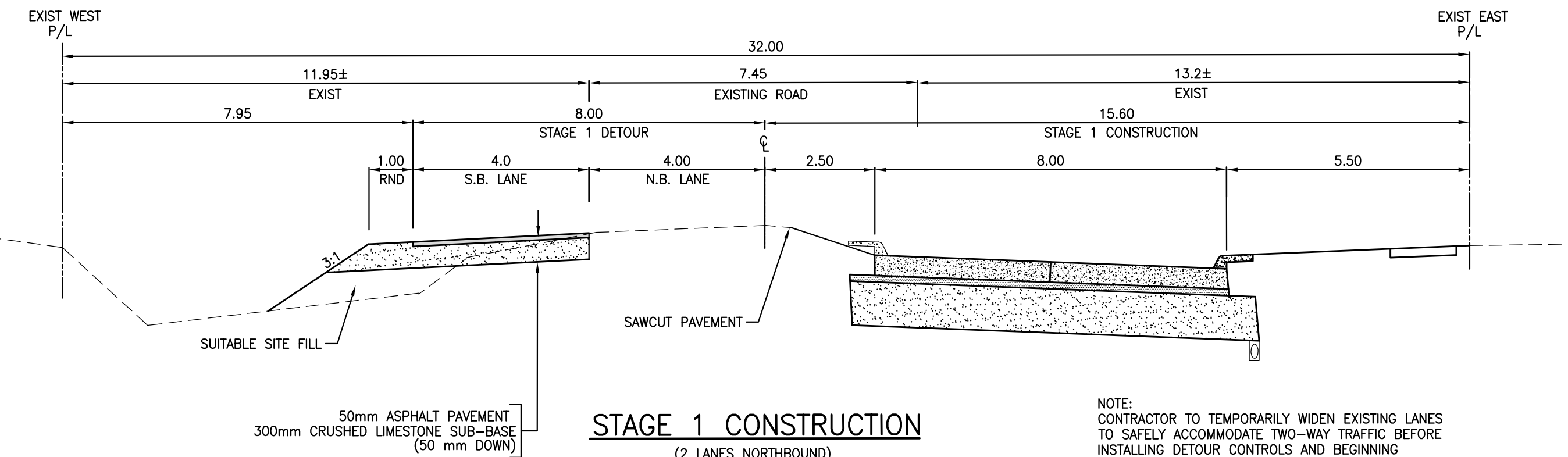


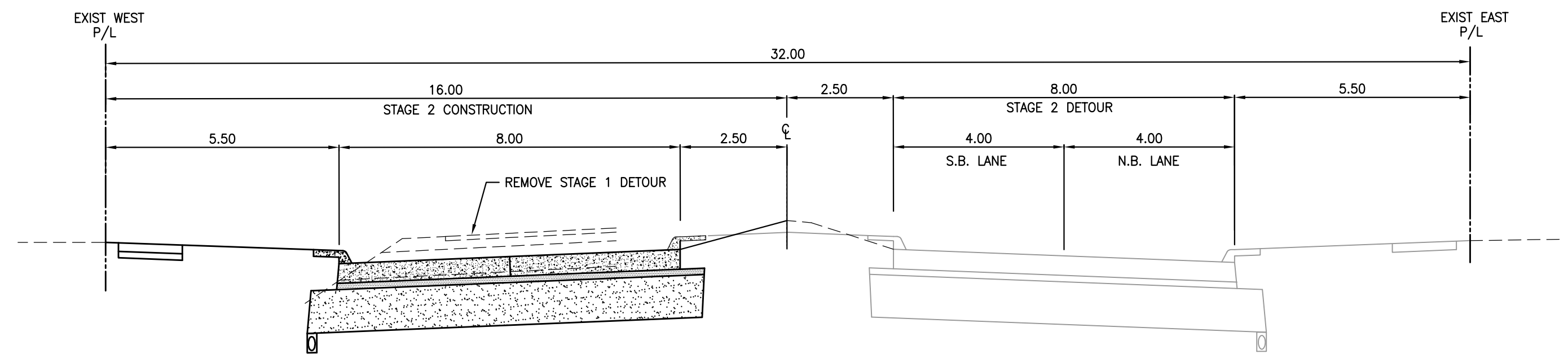
ST. ANNE'S TYPICAL CROSS-SECTION - PERMANENT WORKS
(4 LANE PERMANENT WORKS)



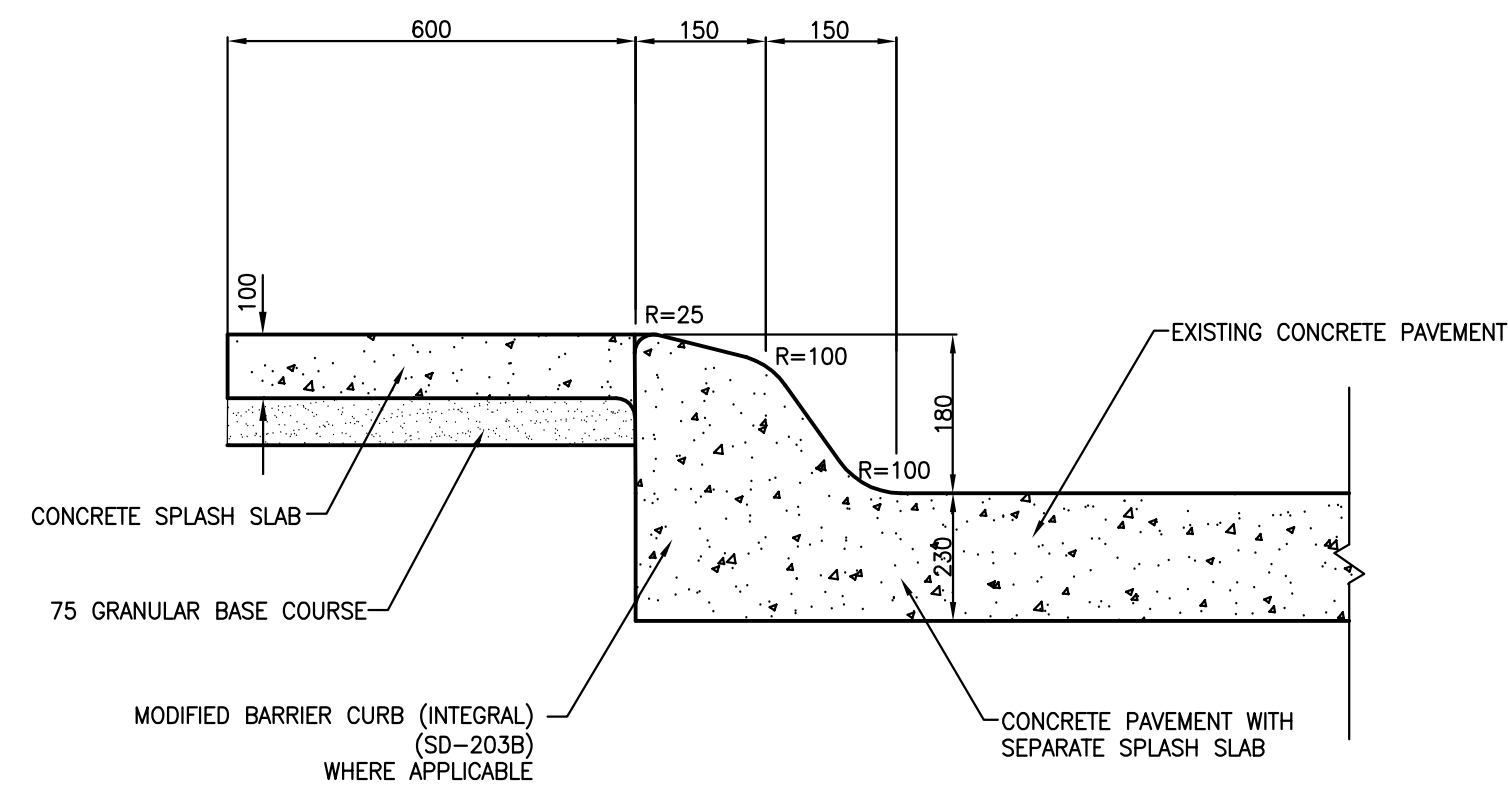
ST. ANNE'S TYPICAL CROSS-SECTION - TEMPORARY WORKS
(4 LANE TO 2 LANE ASPHALT TRANSITION)



STAGE 1 CONSTRUCTION
(2 LANES NORTHBOUND)

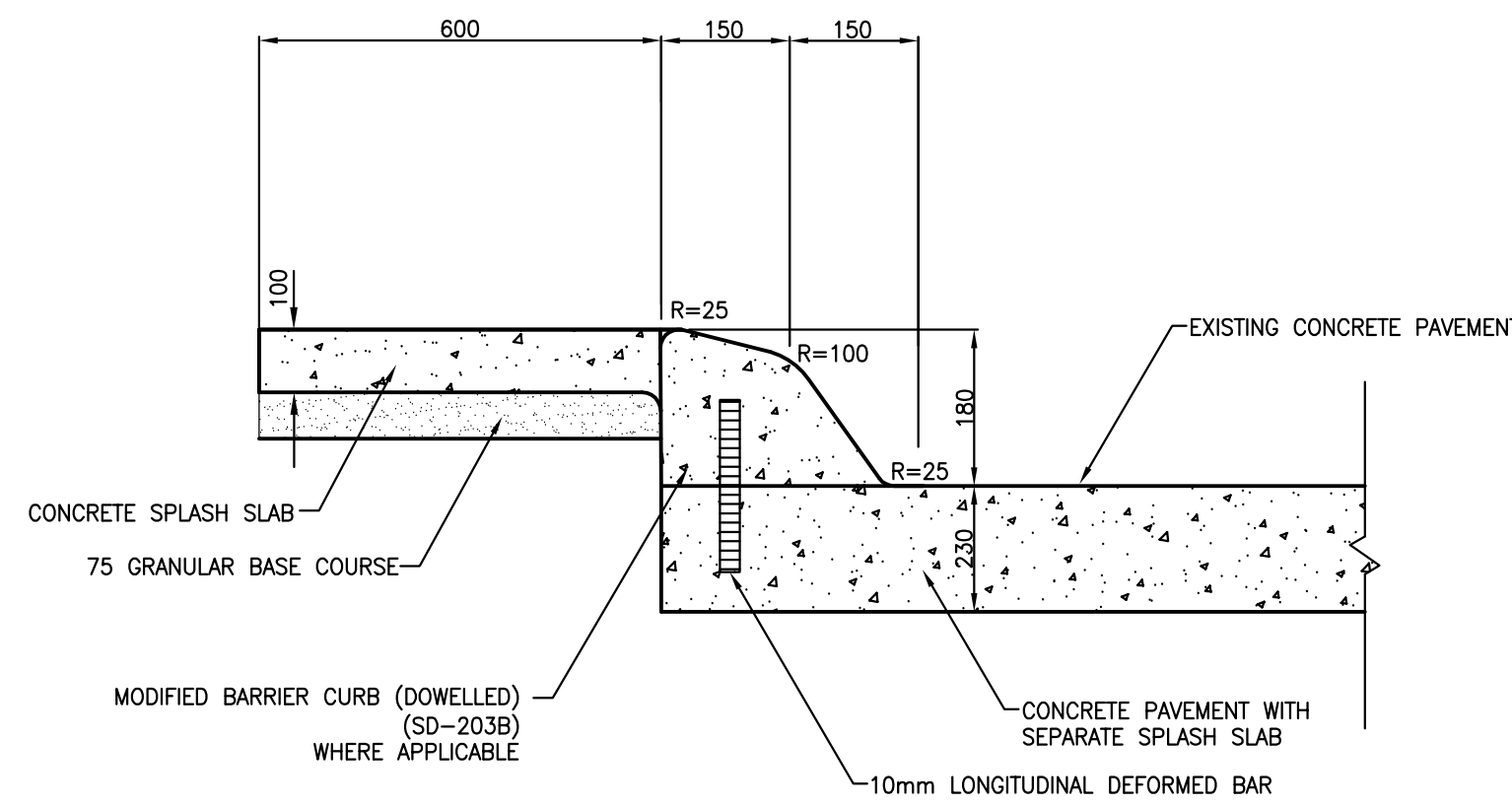


STAGE 2 CONSTRUCTION
(2 LANES SOUTHBOUND)



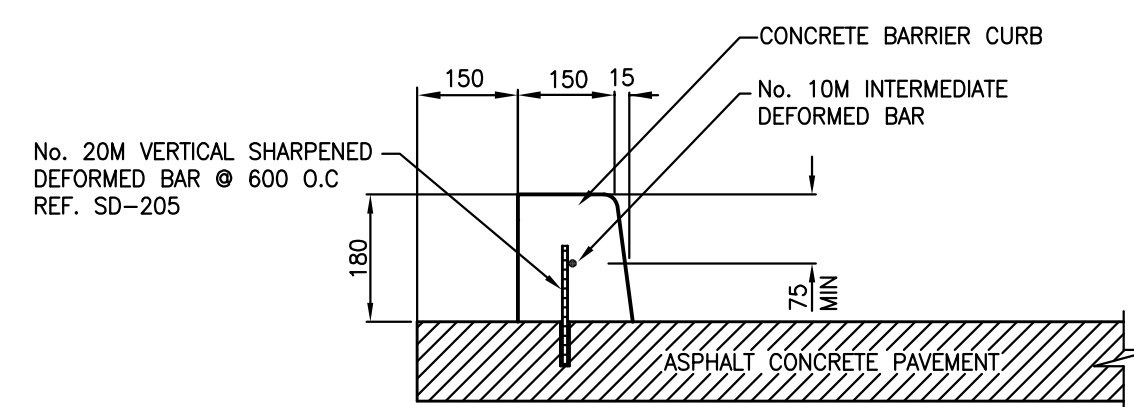
CONCRETE SPLASH SLAB (INTEGRAL)
NTS

NOTE:
SAW CUT SPLASH SLAB IN
CONJUNCTION WITH ROADWAY
TRANSVERSE JOINTS.

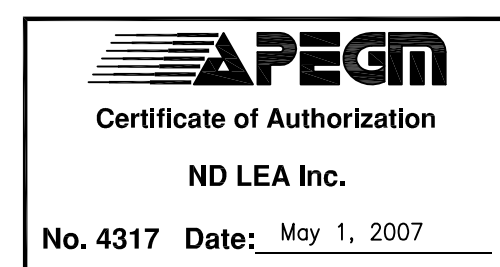


CONCRETE SPLASH SLAB (SEPARATE)
NTS

NOTE:
SAW CUT SPLASH SLAB IN
CONJUNCTION WITH ROADWAY
TRANSVERSE JOINTS.



PINNED BARRIER CURB
NTS

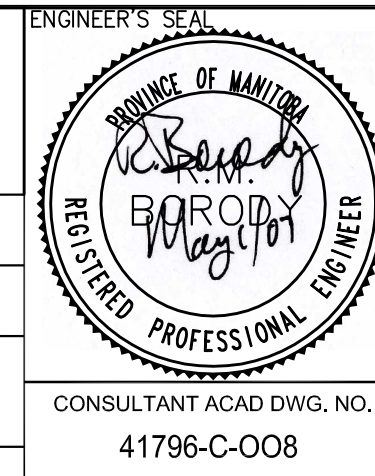


METRIC
WHOLE NUMBERS INDICATE MILLIMETRES
DECIMALIZED NUMBERS INDICATE METRES

LOCATIONS APPROVED			
UNDERGROUND STRUCTURES			
SIGNED BY:			
SUPPLY	U/G STRUCTURES	DATE	
LOCATION OF UNDERGROUND STRUCTURES AS SHOWN ARE BASED ON THE BEST INFORMATION AVAILABLE BUT NO GUARANTEE IS GIVEN THAT ALL EXISTING UTILITIES ARE SHOWN OR THAT THE GIVEN LOCATIONS ARE EXACT CORROBORATION OF EXISTENCE AND EXACT LOCATION OF ALL SERVICES MUST BE OBTAINED FROM THE INDIVIDUAL UTILITIES BEFORE PROCEEDING			

G.B.M. ELEV.			
SIGNATURE			
3	AS PER CITY REVIEW	APR. 25	RMB
2	ISSUE UNDERGROUND STRUCTURES	MAR. 29	RMB
1	PRELIM DESIGN REVIEW	MAR. 21	RMB
NO.	REVISIONS	DATE	BY
		FEBRUARY 13.07	

DESIGNED BY			
RMB/KG			
CHECKED BY			
Dd			
DRAWN BY			
KG/RA			
APPROVED BY			
RMB			
HOR. SCALE			
NTS			
VERTICAL SCALE			
1:10			
RELEASED FOR CONSTRUCTION			
DATE			
FEBRUARY 13.07			



CITY OF WINNIPEG
PUBLIC WORKS DEPARTMENT
TRANSPORTATION ENGINEERING DIVISION

ST. ANNE'S ROAD
280 m S. OF SOUTHGLEN BOULEVARD TO ALDGATE ROAD

P-3280-08

PAVEMENT RECONSTRUCTION
CROSS SECTIONS AND DETAILS

SHEET 8 OF 12