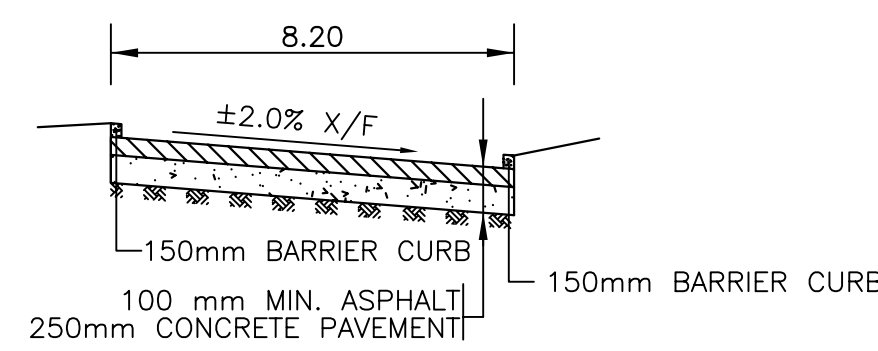


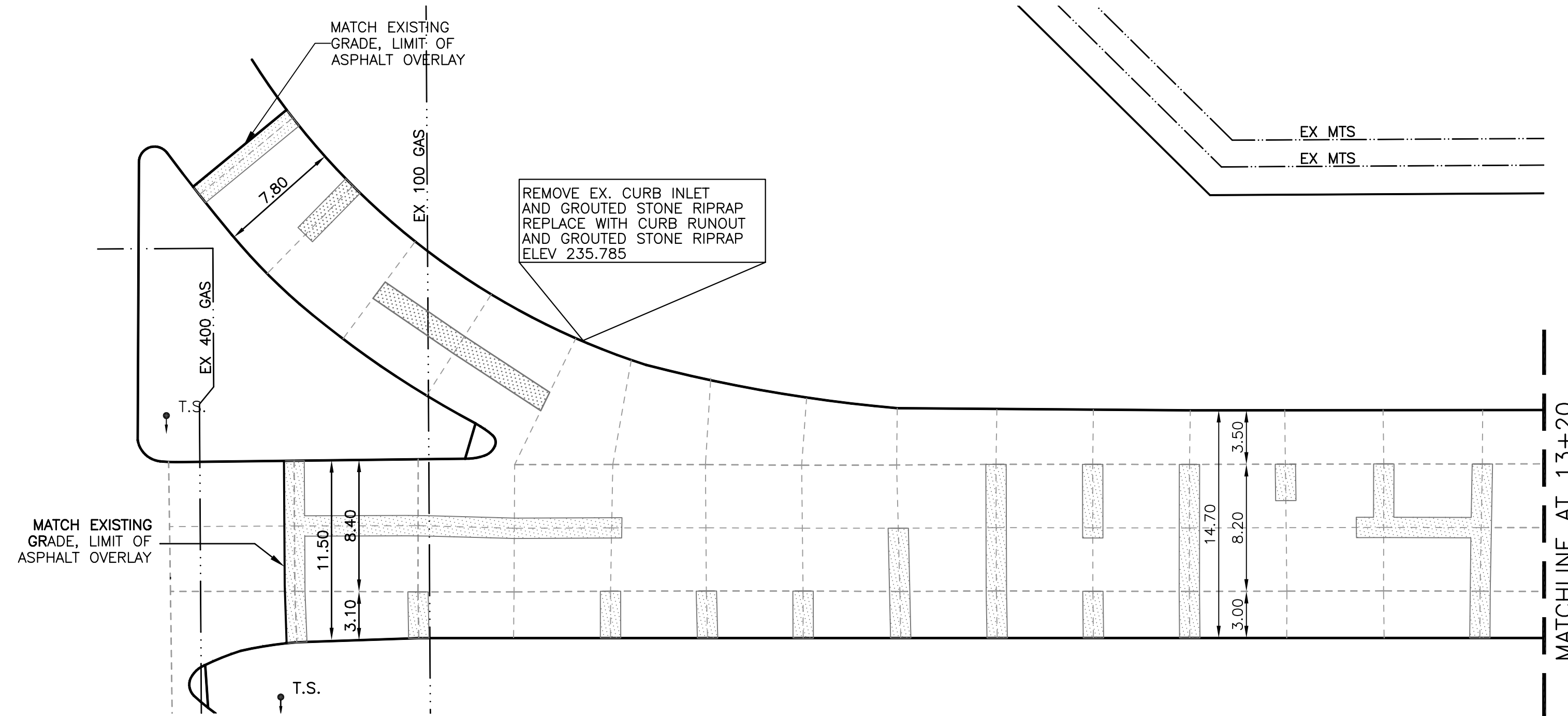
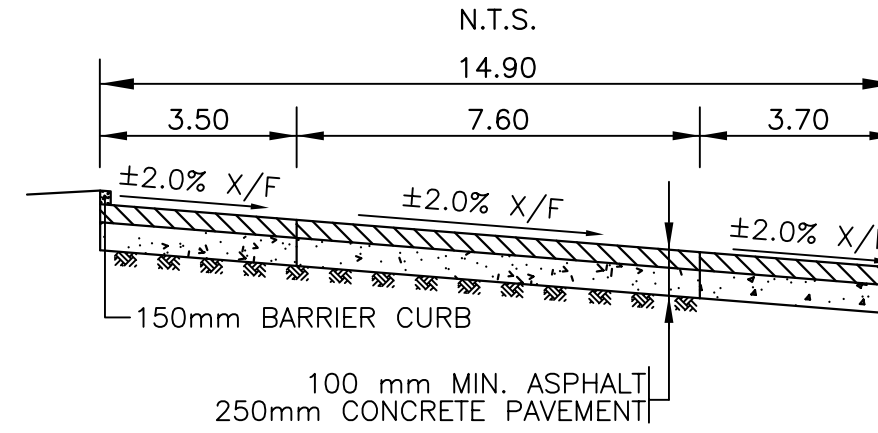
**NOTES:**

1. REMOVE EX. CURB AND INSTALL NEW 150mm BARRIER CURB
2. PAVEMENT REPAIRS SHOWN ARE ONLY A REPRESENTATIVE SAMPLE OF THE TENDERED QUANTITIES
3. ALL RADIUS CURB UNDER 15.0m SHALL BE REPLACED AS MODIFIED BARRIER CURB AS DIRECTED BY THE CONTRACT ADMINISTRATOR
4. BOULEVARD RESTORATION AS DIRECTED BY THE CONTRACT ADMINISTRATOR
5. ASPHALT OVERLAY MINIMUM THICKNESS 100mm OR AS DIRECTED BY CONTRACT ADMINISTRATOR

TYPICAL ROAD CROSS SECTION  
N.T.S.



TYPICAL ROAD CROSS SECTION  
WITH TURNING LANES  
N.T.S.



METRIC  
WHOLE NUMBERS INDICATE MILLIMETRES  
DECIMALIZED NUMBERS INDICATE METRES

BENCHMARK:  
S. SIDE OAK POINT HWY., BETWEEN EAGLE DR. AND SELKIRK AVE.,  
TBLT. IN N. CONC. FOUNDATION NO. 272 OAK POINT HWY.,  
2.5m W. & 0.2m BELOW BRICK OF ELY. & N. COR. OF BLDG.

---	WATERMAIN	---	HYDRO	---	CENTER LINE	---	LOCATION APPROVED
⊕	HYDRANT	+	M.T.S.	---	GUTTER LINE	---	B.M. ELEV. 235.967
⊙	VALVE	⊙	CONCRETE	---	MEDIAN LINE	---	CHBM 16-011 235.967
---	LAND DRAINAGE SEWER	---	ASPHALT	---	WATERMAIN	---	DESIGNED BY R.H/S.M.
---	WASTE WATER SEWER	---	PROPERTY LINE	---	VALVE	---	CHECKED BY S.M.
○	MANHOLE	⊕	SURVEY BAR	---	LAND DRAINAGE SEWER	---	DRAWN BY R.H.
△	CATCH BASIN	⊕	CURB STOP	---	WASTE WATER SEWER	---	APPROVED BY I.McK.
□	CURB INLET	⊕	C.B. LEAD	---	JUNCTIONS	---	RELEASED FOR CONSTRUCTION
---	TRAFFIC SIGNAL	---	SIDEWALK	---	CULVERT	---	ORIGINALLY SIGNED BY
---	STEAM HT.	---	SIDEWALK RAMP	---		---	DATE
---	GAS	---	ELEVATIONS	---		---	
---	EXISTING	---	PROPOSED	---	EXISTING	---	PROPOSED

**SEG ENGINEERING INC.**  
200 TACHE AVENUE  
WINNIPEG, MANITOBA  
(204)-233-2113

DESIGNED BY R.H/S.M.  
CHECKED BY S.M.  
DRAWN BY R.H.  
APPROVED BY I.McK.  
HOR. SCALE: 1:250  
VERT. SCALE: 1:10  
DATE: MAY 2007

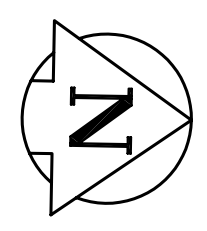
CONSULTANT DRAWING NO. 063-049-09

**THE CITY OF WINNIPEG**  
PUBLIC WORKS DEPARTMENT

2007 REGIONAL STREETS  
OAK POINT HIGHWAY (SOUTHBOUND)  
FROM INKSTER BLVD.  
TO STATION 13+20

CITY DRAWING NO. P-3283-09  
SHEET 9 OF 10  
302-2007

ENGINEER'S SEAL: I. G. MCKINNON, REGISTERED PROFESSIONAL ENGINEER



ACAD 2000