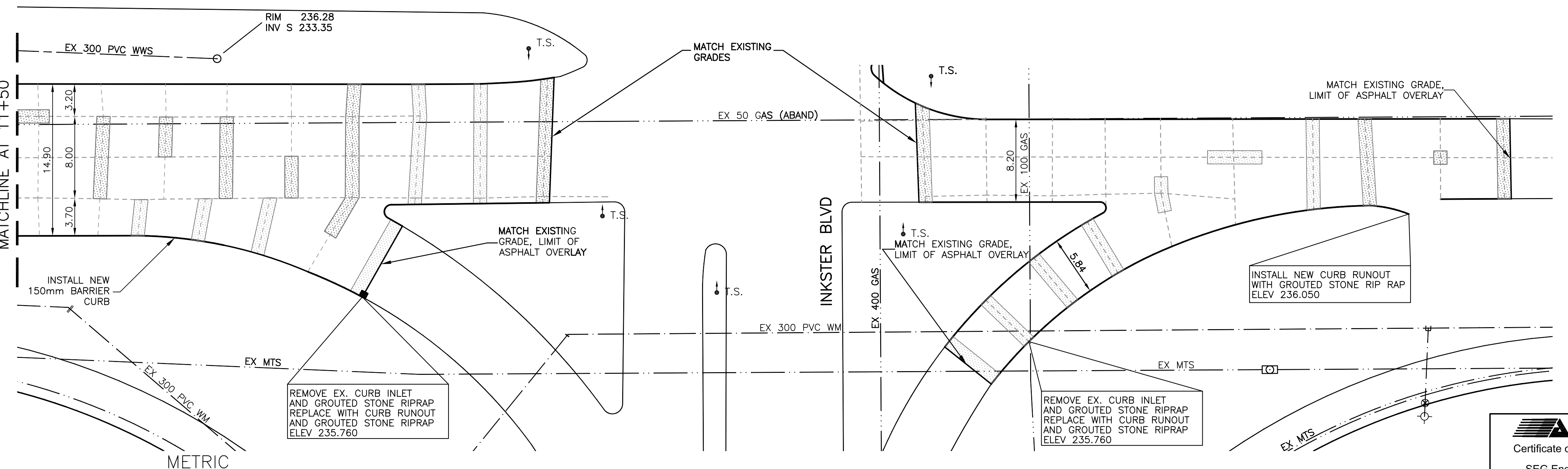
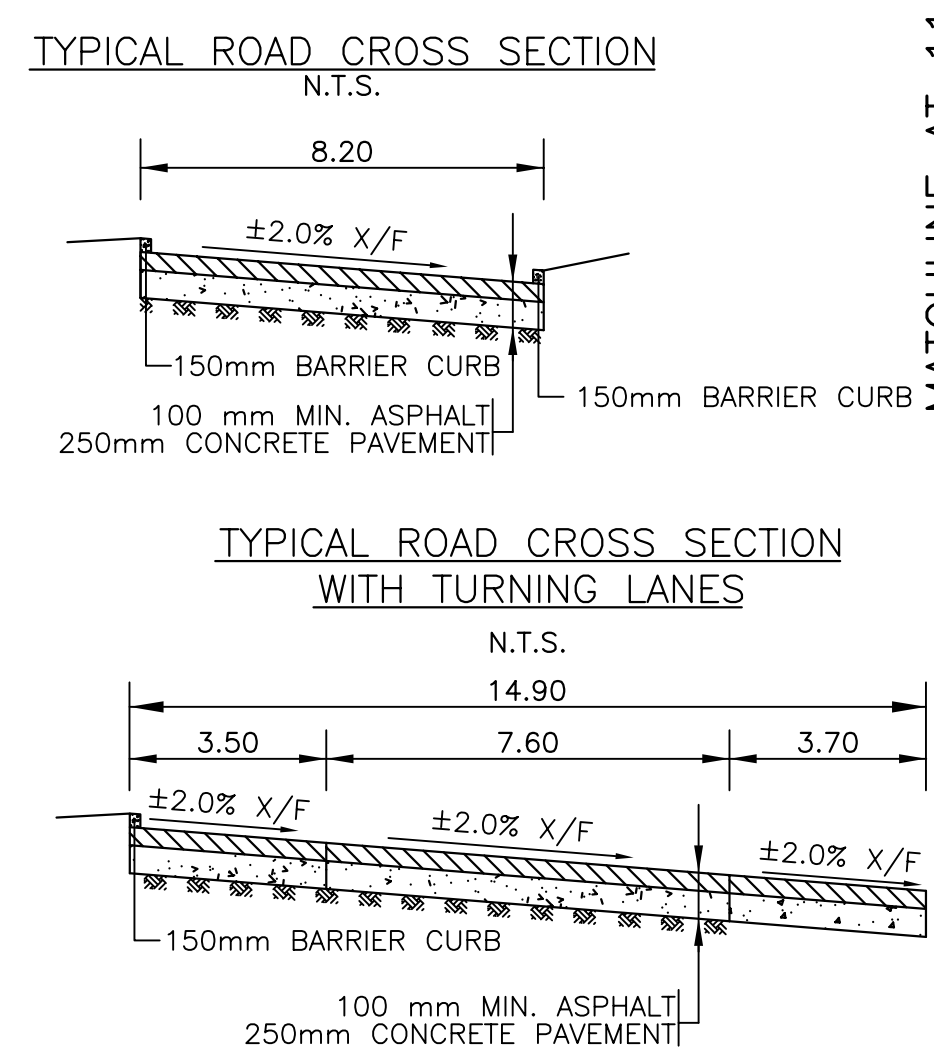


CHAINAGE ALONG CENTER LINE OF N. BOUND LANE
OAK POINT HWY

- NOTES:**
1. REMOVE EX. CURB AND INSTALL NEW 150mm BARRIER CURB
 2. PAVEMENT REPAIRS SHOWN ARE ONLY A REPRESENTATIVE SAMPLE OF THE TENDERED QUANTITIES
 3. ALL RADIUS CURB UNDER 15.0m SHALL BE REPLACED AS MODIFIED BARRIER CURB AS DIRECTED BY THE CONTRACT ADMINISTRATOR
 4. BOULEVARD RESTORATION AS DIRECTED BY THE CONTRACT ADMINISTRATOR
 5. ASPHALT OVERLAY MINIMUM THICKNESS 100mm OR AS DIRECTED BY CONTRACT ADMINISTRATOR



METRIC
WHOLE NUMBERS INDICATE MILLIMETRES
DECIMALIZED NUMBERS INDICATE METRES

BENCHMARK:
S. SIDE OAK POINT HWY., BETWEEN EAGLE DR. AND SELKIRK AVE.,
TBLT. IN N. CONC. FOUNDATION NO. 272 OAK POINT HWY.,
2.5m W. & 0.2m BELOW CURB OF ELY. & N. COR. OF BLDG.

WATERMAIN	HYDRANT	VALVE	LAND DRAINAGE SEWER	WASTE WATER SEWER	MANHOLE	CATCH BASIN	CURB INLET	TRAFFIC SIGNAL	STEAM HT.	GAS	
EXISTING	LEGEND - PLAN	PROPOSED	EXISTING	LEGEND - PLAN	PROPOSED	EXISTING	LEGEND - PLAN	PROPOSED	EXISTING	LEGEND - PROFILE	PROPOSED

LOCATION APPROVED

SUPPLY	U/G	STRUCTURES	DATE
COMMITTEE			

NOTE:
LOCATION OF UNDERGROUND STRUCTURES AS SHOWN ARE BASED ON THE BEST INFORMATION AVAILABLE BUT NO GUARANTEE IS GIVEN THAT ALL EXISTING UTILITIES ARE SHOWN OR THAT THE GIVEN LOCATIONS ARE EXACT. CONFIRMATION OF EXISTENCE AND EXACT LOCATION OF ALL SERVICES MUST BE OBTAINED FROM THE INDIVIDUAL UTILITIES BEFORE PROCEEDING WITH CONSTRUCTION.

B.M. ELEV.	CHBM: 16-011	235.967
NO.	REVISIONS	DATE BY

SEG ENGINEERING INC.
200 TACHE AVENUE
WINNIPEG, MANITOBA
(204)-233-2113

DESIGNED BY: R.H/S.M.
CHECKED BY: S.M.
DRAWN BY: R.H.
APPROVED BY: I.McK.
HOR. SCALE: 1:250
VERT. SCALE: 1:10
DATE: MAY 2007

ENGINEERS SEAL
PROVINCE OF MANITOBA
REGISTERED PROFESSIONAL ENGINEER
I. G. MCKINNON

THE CITY OF WINNIPEG
PUBLIC WORKS DEPARTMENT

2007 REGIONAL STREETS
OAK POINT HIGHWAY (NORTH BOUND)
FROM STATION 11+50
TO 45.0 m NORTH OF INKSTER BLVD.

CITY DRAWING NO. P-3283-08
SHEET 8 OF 10
302-2007

