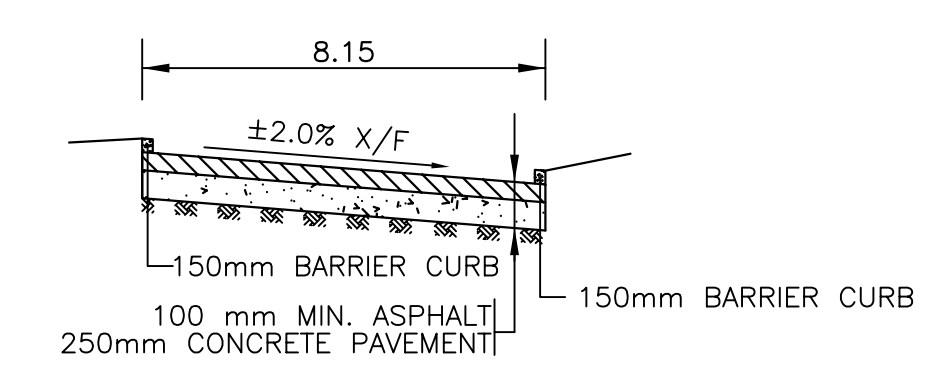


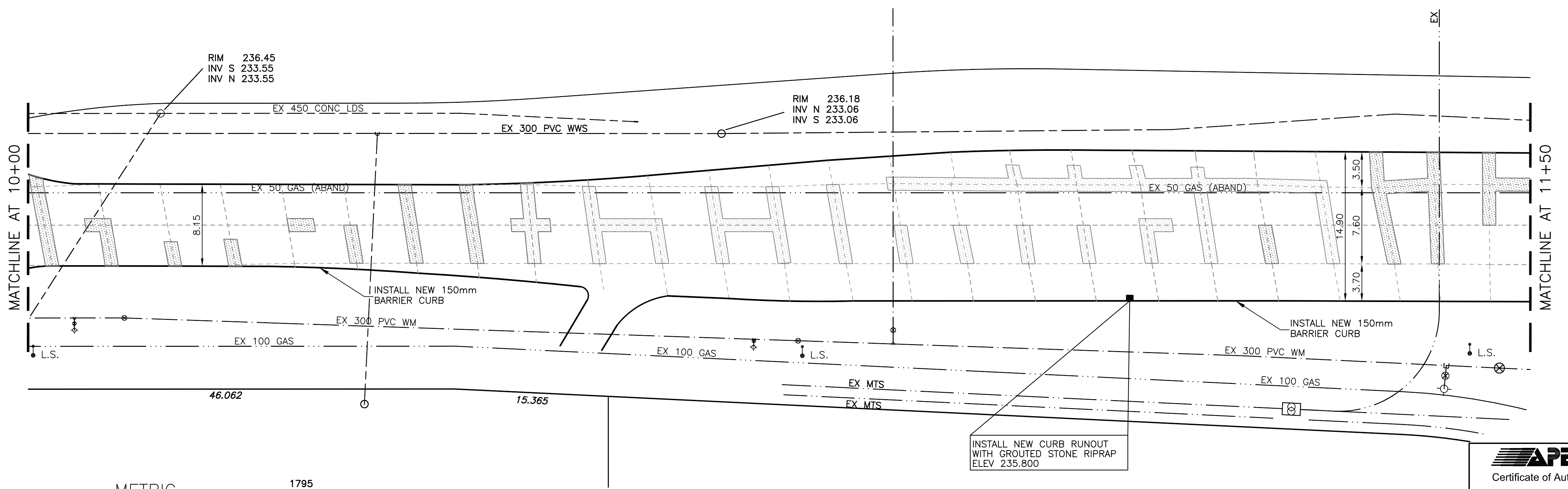
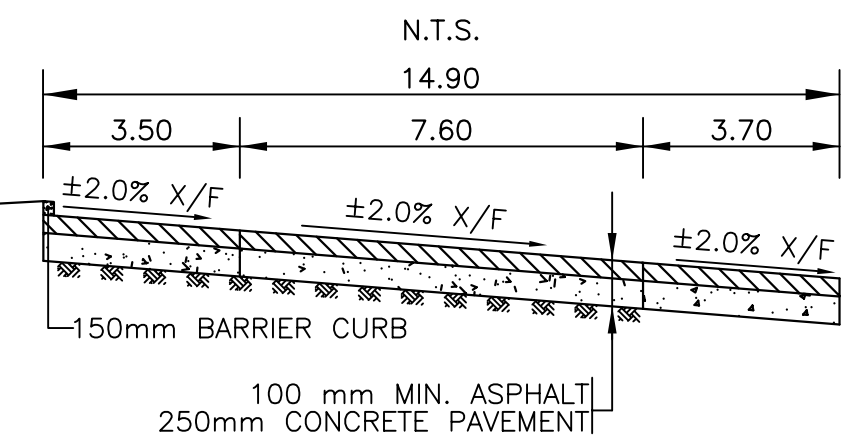
CHAINAGE ALONG CENTER LINE OF N. BOUND LANE
OAK POINT HWY

- NOTES:**
- REMOVE EX. CURB AND INSTALL NEW 150mm BARRIER CURB
 - PAVEMENT REPAIRS SHOWN ARE ONLY A REPRESENTATIVE SAMPLE OF THE TENDERED QUANTITIES
 - ALL RADIUS CURB UNDER 15.0m SHALL BE REPLACED AS MODIFIED BARRIER CURB AS DIRECTED BY THE CONTRACT ADMINISTRATOR
 - BOULEVARD RESTORATION AS DIRECTED BY THE CONTRACT ADMINISTRATOR
 - ASPHALT OVERLAY MINIMUM THICKNESS 100mm OR AS DIRECTED BY CONTRACT ADMINISTRATOR

TYPICAL ROAD CROSS SECTION
N.T.S.



TYPICAL ROAD CROSS SECTION WITH TURNING LANES
N.T.S.



METRIC
WHOLE NUMBERS INDICATE MILLIMETRES
DECIMALIZED NUMBERS INDICATE METRES

BENCHMARK:
S. SIDE OAK POINT HWY., BETWEEN EAGLE DR. AND SELKIRK AVE.,
TBLT. IN N. CONC. FOUNDATION NO. 272 OAK POINT HWY.,
2.5m W. & 0.2m BELOW BRICK OF ELY. & N. COR. OF BLDG.

---	WATERMAIN	---	HYDRO	---	CENTER LINE	---	LOCATION APPROVED
---	HYDRANT	---	M.T.S.	---	GUTTER LINE	---	B.M. ELEV.
---	VALVE	---	CONCRETE	---	MEDIAN LINE	---	CWB# 16-011
---	LAND DRAINAGE SEWER	---	ASPHALT	---	WATERMAIN	---	235-967
---	WASTE WATER SEWER	---	PROPERTY LINE	---	VALVE	---	DESIGNED BY R.H/S.M.
○	MANHOLE	●	SURVEY BAR	⊕	LAND DRAINAGE SEWER	---	CHECKED BY S.M.
△	CATCH BASIN	■	CURB STOP	⊕	WASTE WATER SEWER	---	APPROVED BY I.McK.
□	CURB INLET	▲	C.B. LEAD	⊕	JUNCTIONS	---	RELEASED FOR CONSTRUCTION
---	TRAFFIC SIGNAL	---	SIDEWALK	---	CULVERT	---	ORIGINALLY SIGNED BY
---	STEAM HT.	---	SIDEWALK RAMP	---		---	DATE
---	GAS	---	ELEVATIONS	(32.55)		---	
---	EXISTING	---	LEGEND - PLAN	PROPOSED	EXISTING	LEGEND - PROFILE	PROPOSED

NO.	REVISIONS	DATE	BY

SEG ENGINEERING INC.
200 TACHE AVENUE
WINNIPEG, MANITOBA
(204)-233-2113

DESIGNED BY R.H/S.M.
DRAWN BY R.H.
HOR. SCALE: 1:250
VERT. SCALE: 1:10
DATE MAY 2007

ENGINEERS SEAL
I. G. MCKINNON
REGISTERED PROFESSIONAL ENGINEER
CONSULTANT DRAWING NO. 063-049-07

THE CITY OF WINNIPEG
PUBLIC WORKS DEPARTMENT

2007 REGIONAL STREETS
OAK POINT HIGHWAY (NORTH BOUND)
FROM STATION 10+00
TO STATION 11+50

CITY DRAWING NO. P-3283-07
SHEET 7 OF 10
302-2007

