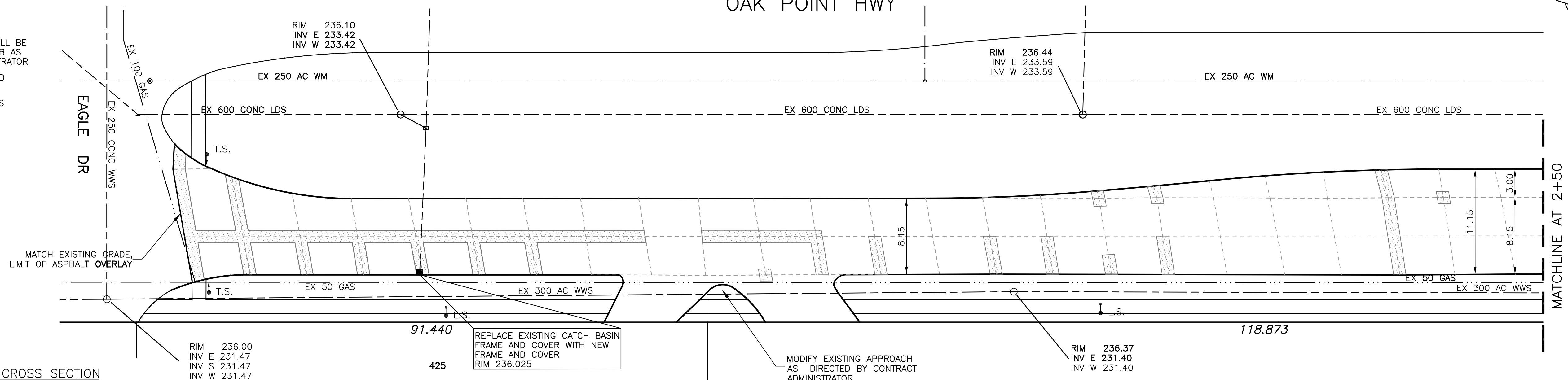


NOTES:

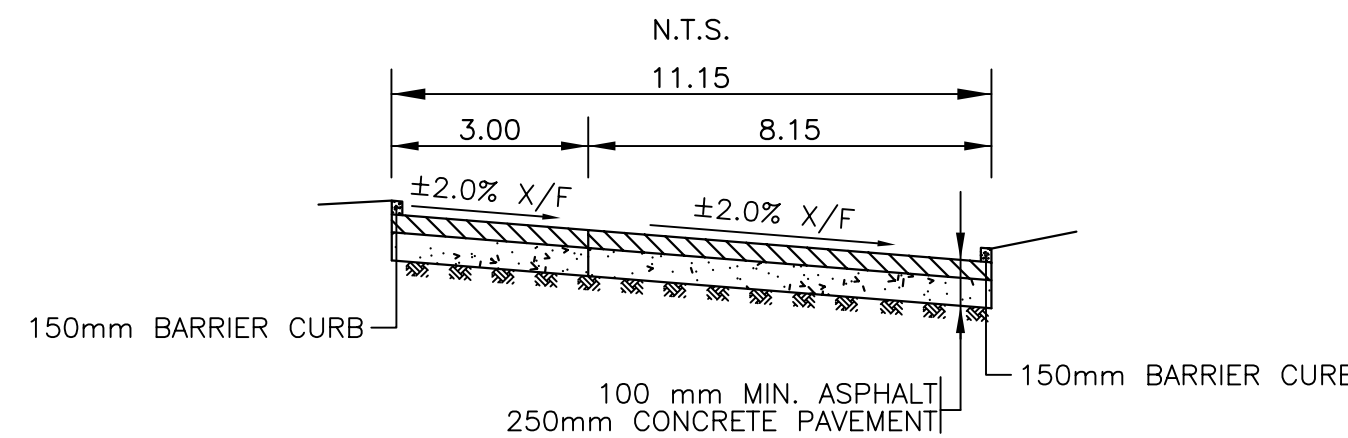
1. REMOVE EX. CURB AND INSTALL NEW 150mm BARRIER CURB
2. PAVEMENT REPAIRS SHOWN ARE ONLY A REPRESENTATIVE SAMPLE OF THE TENDERED QUANTITIES
3. ALL RADIUS CURB UNDER 15.0m SHALL BE REPLACED AS MODIFIED BARRIER CURB AS DIRECTED BY THE CONTRACT ADMINISTRATOR
4. BOULEVARD RESTORATION AS DIRECTED BY THE CONTRACT ADMINISTRATOR
5. ASPHALT OVERLAY MINIMUM THICKNESS 100mm OR AS DIRECTED BY CONTRACT ADMINISTRATOR

CHAINAGE ALONG CENTER LINE OF N. BOUND LANE

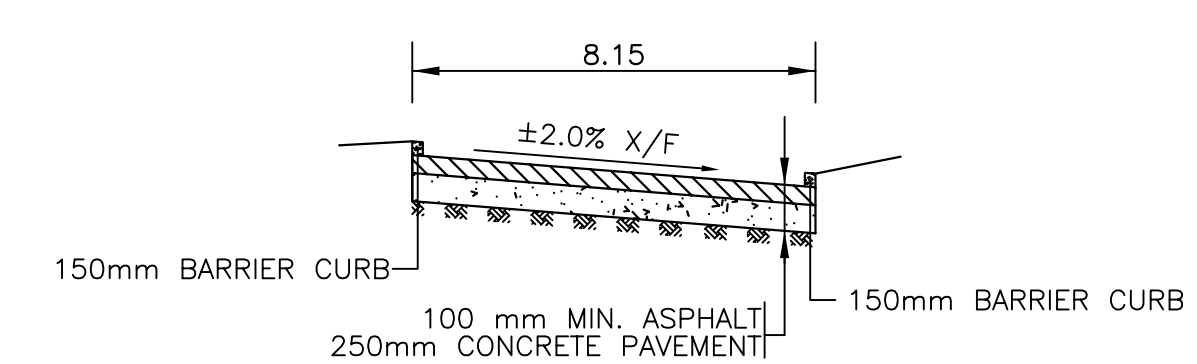
OAK POINT HWY



TYPICAL ROAD CROSS SECTION WITH TURNING LANE



TYPICAL ROAD CROSS SECTION



METRIC

WHOLE NUMBERS INDICATE MILLIMETRES
DECIMALIZED NUMBERS INDICATE METRES

BENCHMARK:
S. SIDE OAK POINT HWY., BETWEEN EAGLE DR. AND SELKIRK AVE.,
T.B.L. IN N. CONC. FOUNDATION NO. 272 OAK POINT HWY.,
2.5m W. & 0.2m BELOW BRICK OF ELY. & N. COR. OF BLDG.

WATERMAIN		HYDRO		CENTER LINE		LOCATION APPROVED	
⊕	HYDRANT	+	M.T.S.	---	GUTTER LINE	---	DATE
⊕	VALVE	+	CONCRETE	---	MEDIAN LINE	---	DATE
---	LAND DRAINAGE SEWER	---	ASPHALT	---	WATERMAIN	---	DATE
---	WASTE WATER SEWER	---	PROPERTY LINE	---	VALVE	---	DATE
○	MANHOLE	⊕	SURVEY BAR	---	LAND DRAINAGE SEWER	---	DATE
△	CATCH BASIN	⊕	CURB STOP	---	WASTE WATER SEWER	---	DATE
□	CURB INLET	⊕	C.B. LEAD	---	JUNCTIONS	---	DATE
---	TRAFFIC SIGNAL	---	SIDEWALK	---	CULVERT	---	DATE
---	STEAM HT.	---	SIDEWALK RAMP	---			DATE
---	GAS	---	ELEVATIONS	---			DATE
---	EXISTING	---	PROPOSED	---	EXISTING	---	PROPOSED

SEG ENGINEERING INC.
200 TACHE AVENUE
WINNIPEG, MANITOBA
(204)-233-2113

DESIGNED BY: R.H./S.M.
CHECKED BY: S.M.
DRAWN BY: R.H.
APPROVED BY: I.McK
HOR. SCALE: 1:250
VERT. SCALE: 1:10
RELEASED FOR CONSTRUCTION: DATE
ORIGINALLY SIGNED BY: DATE

DATE: MAY 2007

THE CITY OF WINNIPEG
PUBLIC WORKS DEPARTMENT

2007 REGIONAL STREETS

OAK POINT HIGHWAY (NORTH BOUND)
FROM STATION 1+00 N. EAST P. LINE EAGLE DRIVE
TO STATION 2+50

CITY DRAWING NO. P-3283-01
SHEET 1 OF 10
302-2007

ENGINEERS SEAL: I. G. MCKINNON, REGISTERED PROFESSIONAL ENGINEER

CONSULTANT DRAWING NO. 063-049-01