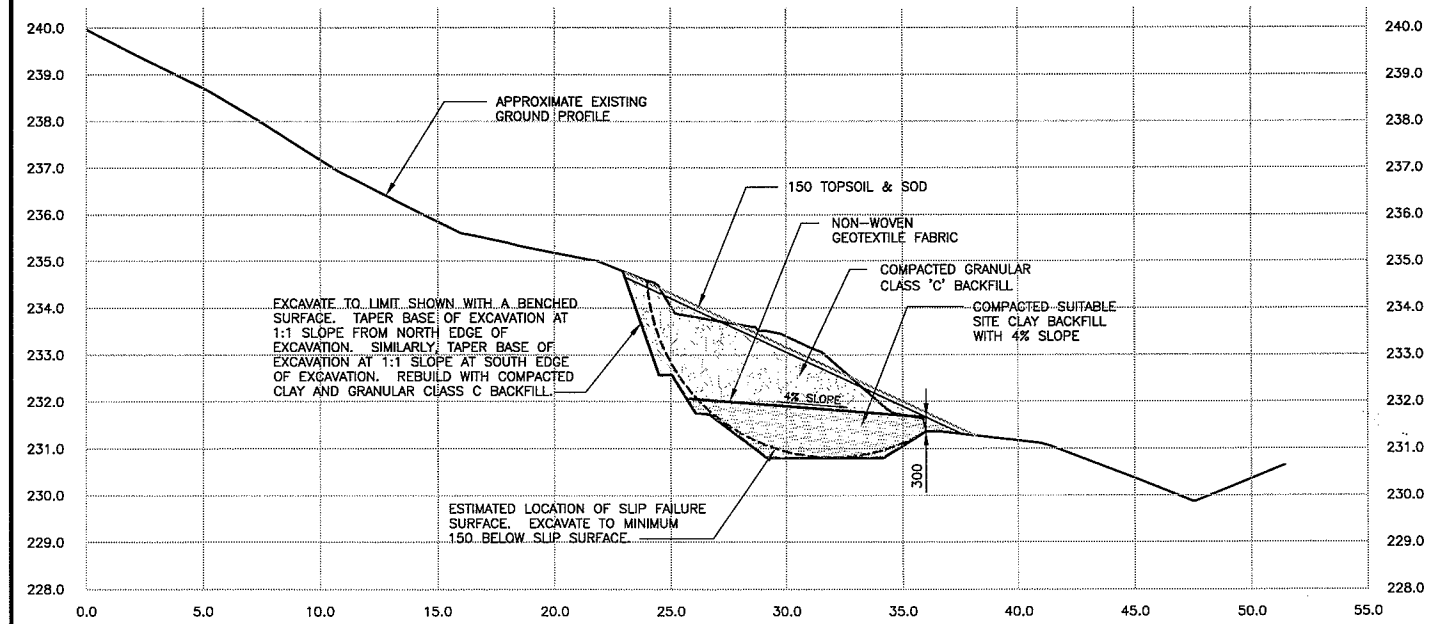
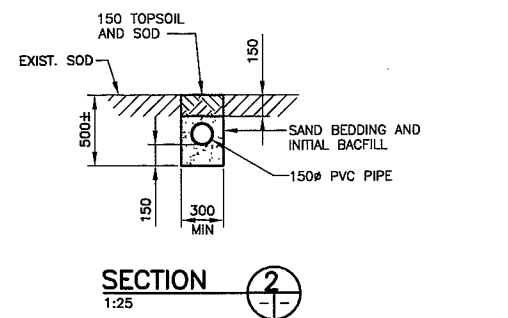


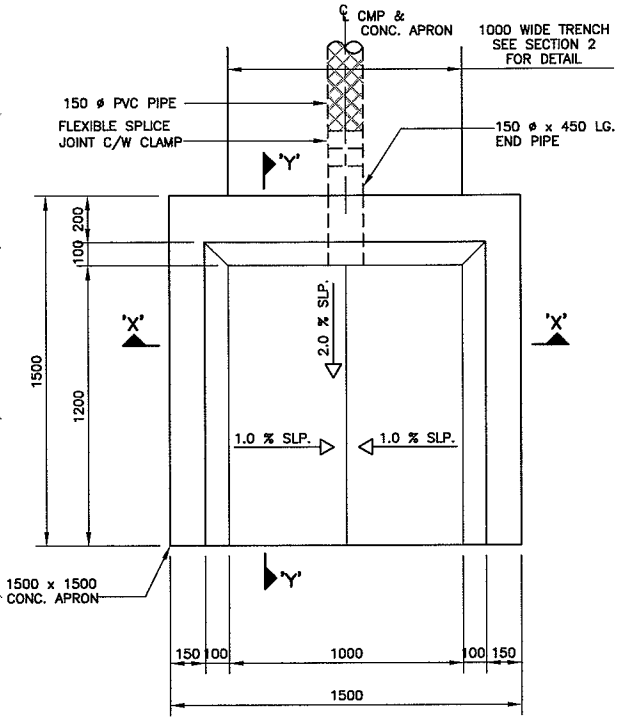
PLAN
1:500



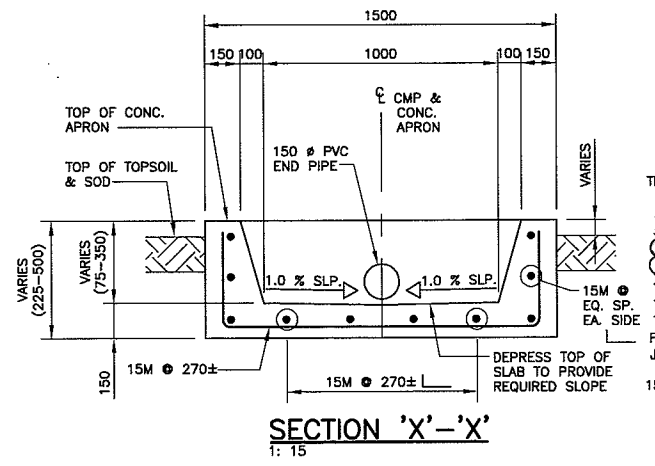
SECTION 1
H: 1:150
V: 1:75



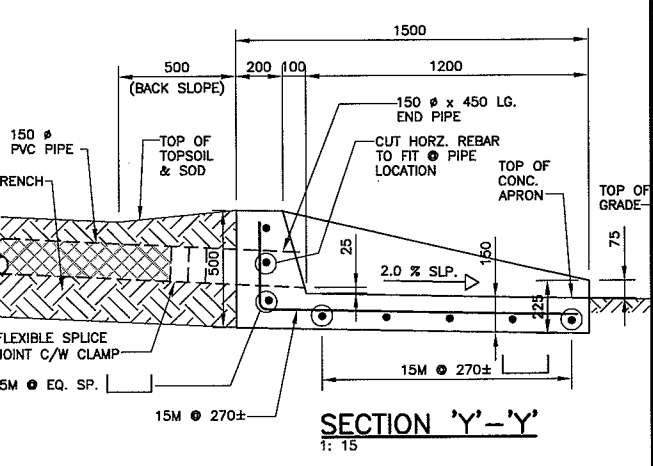
SECTION 2
1:25



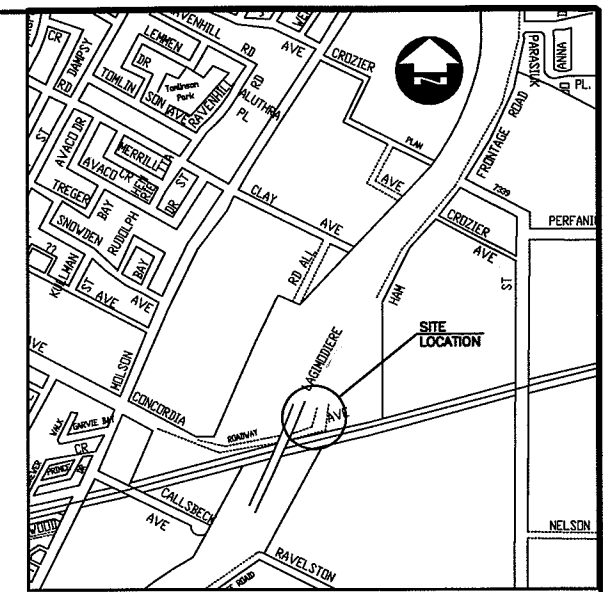
PLAN DETAIL A
1:15



SECTION 'X'-X'
1:15



SECTION 'Y'-Y'
1:15



LOCATION PLAN

NOTES:

- CONTRACTOR TO OBTAIN UTILITY CLEARANCES PRIOR TO COMMENCING EXCAVATION.
- EARTH FILL MATERIAL SHALL CONSIST OF EITHER SUITABLE SITE MATERIAL OR CLAY BORROW MATERIAL AS APPROVED BY THE CONTRACT ADMINISTRATOR.
- FROM 1.0 METRE ABOVE THE TENSION CRACK TO THE BOTTOM OF THE EXISTING SLOPE WITHIN THE N-S LIMITS OF THE CRACK:
 - STRIP THE VEGETATION AND TOPSOIL.
 - EXCAVATE IN 5 METRE STRIPS (E-W) TO 150' BELOW SLIP SURFACE.
 - PLACE AND COMPACT SUITABLE EARTH FILL MATERIAL WITH A 4% SLOPE.
 - PLACE AND COMPACT GRANULAR CLASS 'C' MATERIAL.
 - EXCAVATE ADJACENT 5 METRE STRIP AND REPEAT STEPS iii) & iv) UNTIL FAILURE AREA IS COMPLETE.
 - PLACE 150 TOPSOIL AND SOD.
- REPLACE CORRODED OR OTHERWISE DAMAGED END OF EXISTING 150 CMP AS DETERMINED IN FIELD WITH CONTRACT ADMINISTRATOR.
- REPAIR ANY DAMAGE TO THE ADJACENT AREAS OF THE SITE CAUSED BY THE CONSTRUCTION ACTIVITIES TO THE SATISFACTION OF THE CONTRACT ADMINISTRATOR.
- REINFORCING STEEL SHALL BE IN ACCORDANCE WITH CAN/CSA-G30.18 GRADE 400W.
- CONCRETE SHALL BE CEMENT TYPE HS AND HAVE AN EXPOSURE CLASS OF C1, S2. (MIN COMPRESSIVE STRENGTH OF 35 MPa, MAX WATER/CEMENT RATIO OF 0.40 AND AN AIR CONTENT CATEGORY OF 1).

WARNING
CONTRACTOR TO OBTAIN UTILITY CLEARANCES PRIOR TO COMMENCING EXCAVATION.

UNDERGROUND INFORMATION SHOWN ON THIS DRAWING IS BASED ON INFORMATION RECEIVED FROM THE CITY OF WINNIPEG UNDERGROUND STRUCTURES AND MAY NOT BE ENTIRELY ACCURATE OR COMPLETE.

METRIC
WHOLE NUMBERS INDICATE MILLIMETRES
DECIMALIZED NUMBERS INDICATE METRES

DRAWING REDUCED NOT TO SCALE

B.M. ELEV.	DESIGNED BY MRD	ENGINEER'S SEAL	ENGINEER'S SEAL
	DRAWN BY MRD	PROVINCE OF MANITOBA A.G. DRYEGOR REGISTERED PROFESSIONAL ENGINEER	PROVINCE OF MANITOBA R.A. WIEBE REGISTERED PROFESSIONAL ENGINEER
	CHECKED BY ADD	THE CITY OF WINNIPEG PUBLIC WORKS DEPARTMENT	
	REVIEWED BY RAW	2007 BRIDGE MAINTENANCE ROUTE 20 AT KEEWATIN OVERPASS	
2 ISSUED FOR TENDER 07/24/07 MRD	HOR. SCALE AS NOTED	NE QUADRANT FULL DEPTH REPAIR	
1 ISSUED FOR CITY REVIEW 07/24/07 MRD	VERTICAL	CITY DRAWING NUMBER B123-07-02 SHEET 2 OF 4	
0 ISSUED FOR CITY REVIEW 07/04/12 MRD	DATE APR 2007	CONSULTANT PROJECT NO. 06-5919/07-7519	
NO. REVISIONS	DATE BY	CONTRACTOR BID OPP NO. 295-2007	