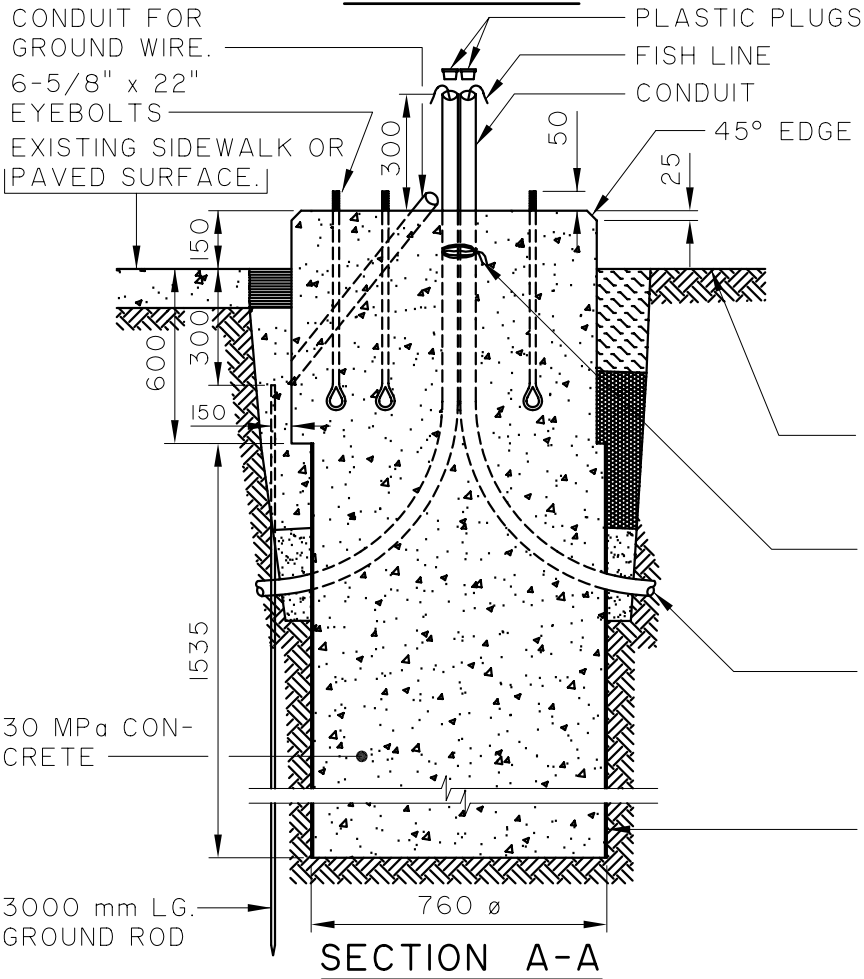


FRONT OF CONTROLLER
PLAN VIEW



SECTION A-A

NOTES:

1. 760 mm forming tube, metal rectangular form (supplied by the contractor) and anchor bolt template shall be used. (Drawing ST-120).
2. Threaded portion of anchor eyebolts shall be coated with oil prior to concrete pour.
3. All conduits shall be bundled into a group in centre of base, and tied together below the top of the base prior to concrete pour.
4. Terminate conduits a minimum of 300 mm above base.
5. Install ground rod in every base.
6. Contractor shall remove plywood top forms, and salvage nuts and anchor eyebolt template following a minimum 24 hour concrete curing period.
7. Backfill shall conform to requirements of drawings No. ST-101, "standard beddings and backfills for Underground Traffic Signals Works".

DIMENSIONS IN MILLIMETRES
(Unless otherwise noted)

 **THE CITY OF WINNIPEG**
PUBLIC WORKS DEPARTMENT
TRANSPORTATION DIVISION

Reference Spec. No.
CW 3620-R5

**CONCRETE BASE FOR
TYPE I70 CONTROLLER**

Revisions			

No.	Date	Description	By

Designed By: C.K.	Drawn By: A.R.	Scale : N.T.S.
Checked By:	Date: 95 - 03 - 09	Drawing No. ST-87
Approved:		