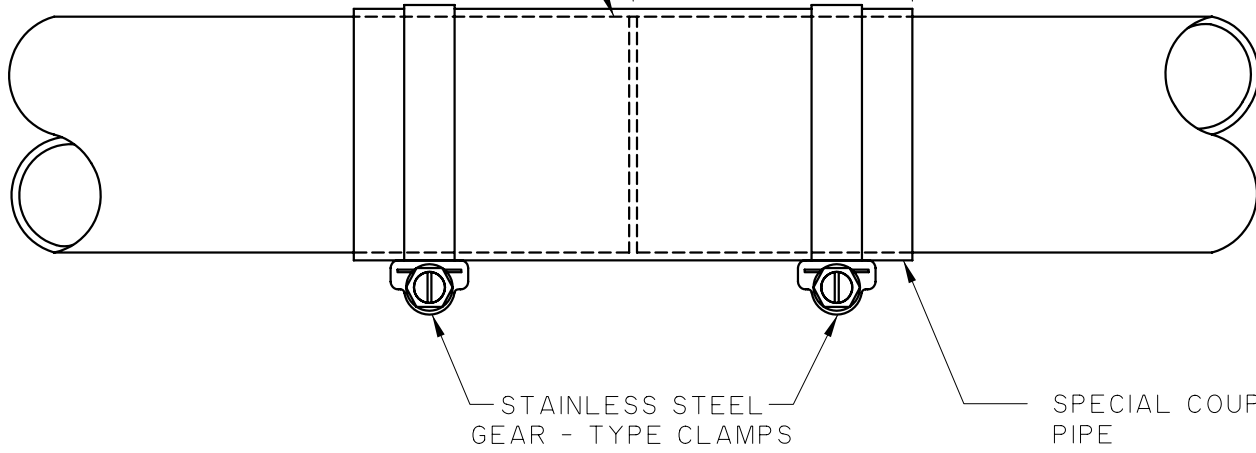


38 mm I.D. PLASTIC PIPE
TO BE CUT AT 90°

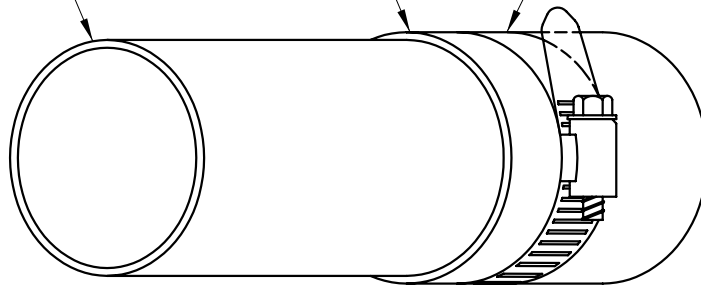
360 MIN.



SPECIAL COUPLING PIPE

PLASTIC PIPE
38 mm I.D.

STAINLESS STEEL
CLEAR - TYPE CLAMPS



DIMENSIONS IN MILLIMETRES



THE CITY OF WINNIPEG
PUBLIC WORKS DEPARTMENT
TRANSPORTATION DIVISION

Reference Spec. No.
CW 3620

Revisions

No.	Date	Description	By
-----	------	-------------	----

JOINT FOR 38 mm
POLYETHYLENE DUCT

Designed By:
C.K.

Drawn By:
A.R.

Scale :
N.T.S.

Checked By:

Date:
95 - 03 - 09

Drawing No.

Approved:

ST-48