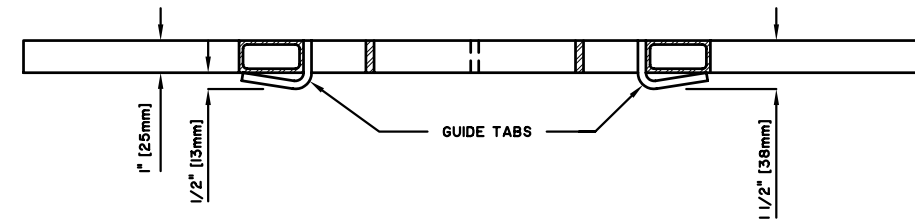
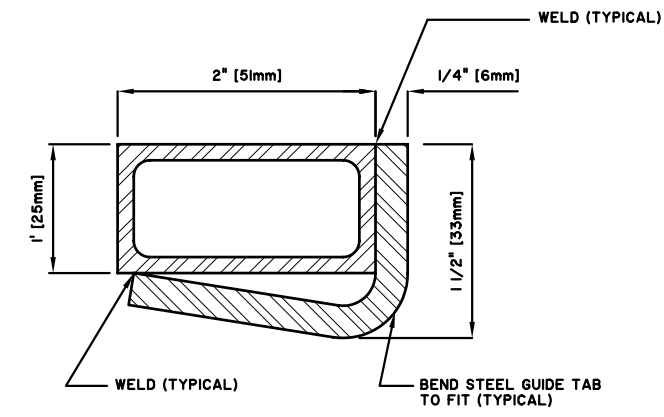


PLAN VIEW
SCALE 3" = 1'-0"




SECTION A - A
SCALE 3" = 1'-0"



SECTION B - B
SCALE 1" = 1"

- NOTES:**
1. ALL WELDS ON TOP & BOTTOM SURFACES SHALL BE CONTINUOUS AND GROUND SMOOTH.
 2. IMPERIAL ARE IN WHOLE NUMBERS AND METRIC NUMBERS ARE IN BRACKETS.
 3. ANCHOR BOLT TEMPLATES TO BE SUPPLIED BY THE CITY OF WINNIPEG, TRAFFIC SIGNALS.
 4. COPIES OF ORIGINAL DRAWINGS AVAILABLE FROM TRAFFIC SIGNALS.

				REFERENCE SPEC. NO.	ENGINEER'S SEAL	 THE CITY OF WINNIPEG PUBLIC WORKS DEPARTMENT TRANSPORTATION DIVISION	SHEET OF
				CW 3620			CAD FILE DRAWING NUMBER
				DESIGNED BY	CHECKED BY	MEDIUM DUTY DAVIT POLE BASE ANCHOR BOLT TEMPLATE	CITY DRAWING NUMBER
				DRAWN BY lwb	SCALE AS NOTED		ST - 122
				APPROVED BY			
NO.	REVISIONS	DATE	BY				