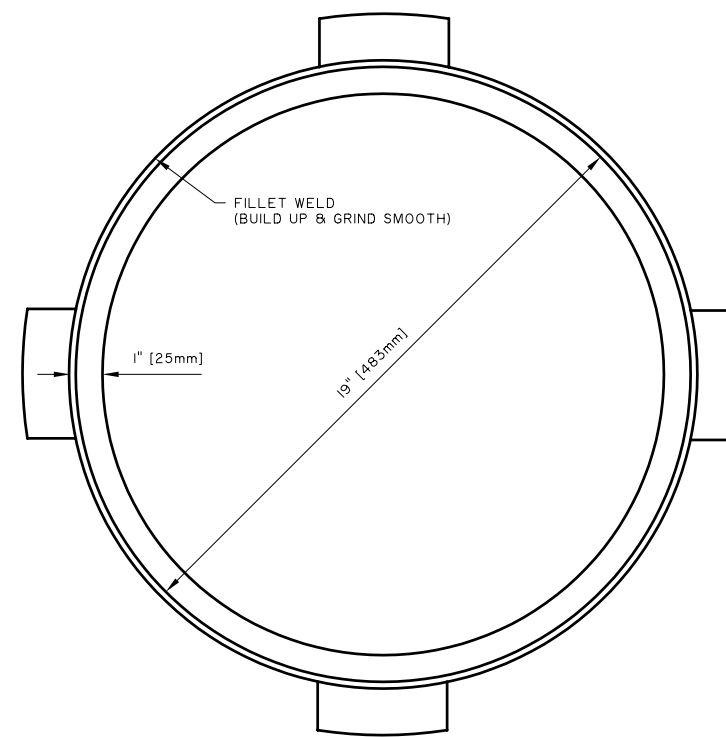
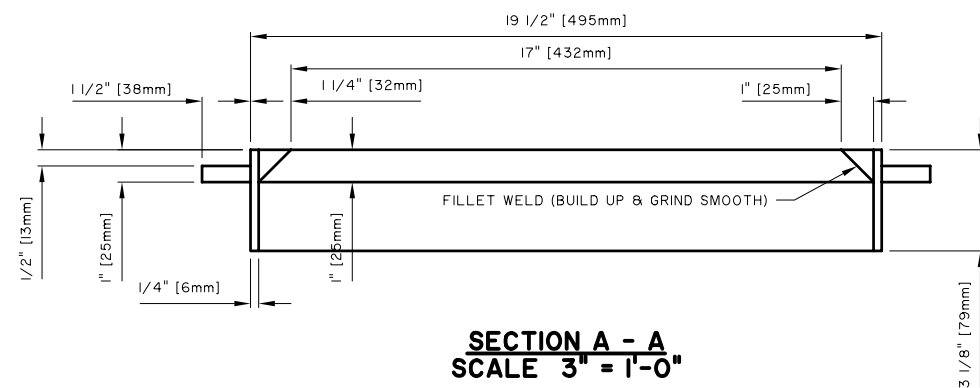


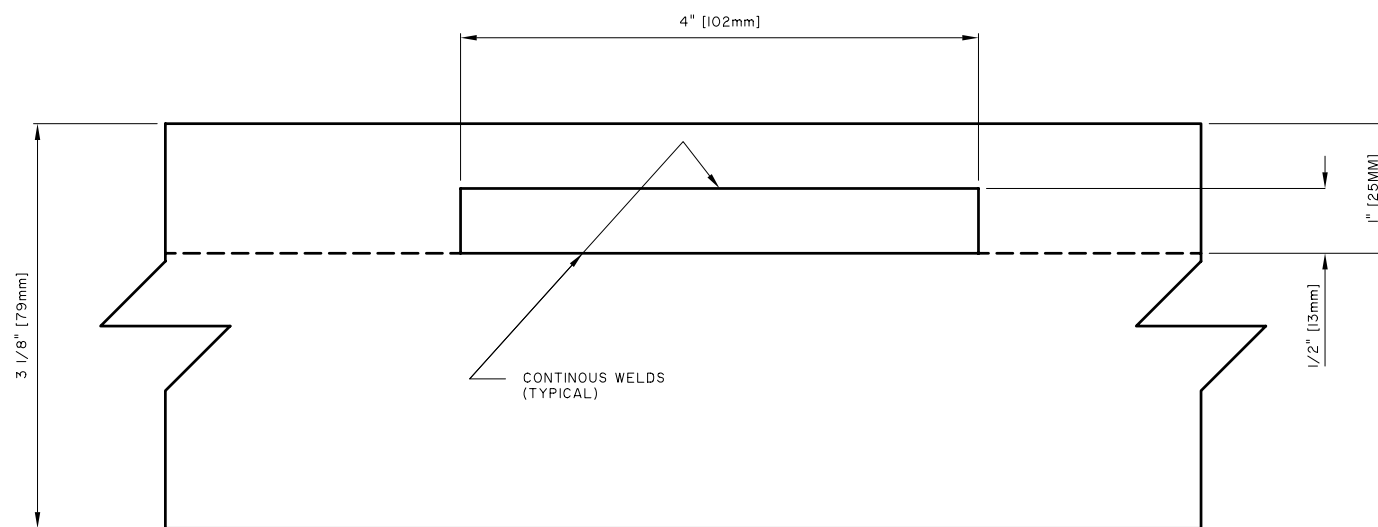
PLAN VIEW
SCALE 3" = 1'-0"



BOTTOM VIEW
SCALE 3" = 1'-0"




SECTION A - A
SCALE 3" = 1'-0"



SECTION B - B
SCALE 1" = 1"

NOTES:

1. TOP RING FORM REQUIRED FOR ST-60 BASE INSTALLATIONS.
2. RING = 1/4" THICK STEEL, HANDLES = 1/2" STEEL.
3. ALL WELDS ON TOP & BOTTOM SURFACES SHALL BE CONTINUOUS AND GROUND SMOOTH.
4. IMPERIAL ARE IN WHOLE NUMBERS AND METRIC NUMBERS ARE IN BRACKETS.
5. TOP RING FORM TO BE SUPPLIED BY CONTRACTOR.
6. COPIES OF ORIGINAL DRAWINGS AVAILABLE FROM TRAFFIC SIGNALS.

				REFERENCE SPEC. NO.	ENGINEER'S SEAL	 THE CITY OF WINNIPEG PUBLIC WORKS DEPARTMENT TRANSPORTATION DIVISION	SHEET OF	
				CW 3620				CAD FILE DRAWING NUMBER
				DESIGNED BY			CHECKED BY	CITY DRAWING NUMBER
				DRAWN BY lwb			SCALE AS NOTED	ST - 116
				APPROVED BY				
NO.	REVISIONS	DATE	BY	DATE				