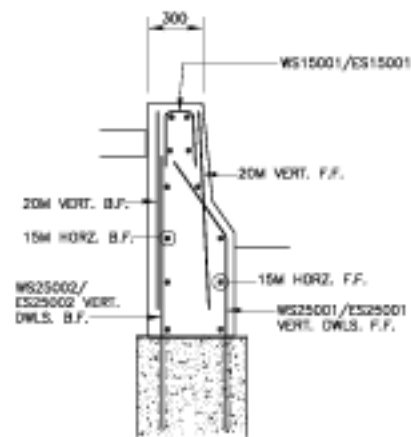
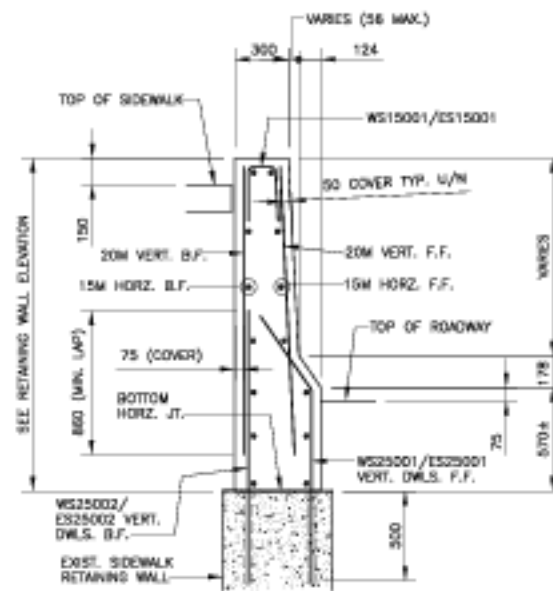


SECTION 1
1: 20
A, B



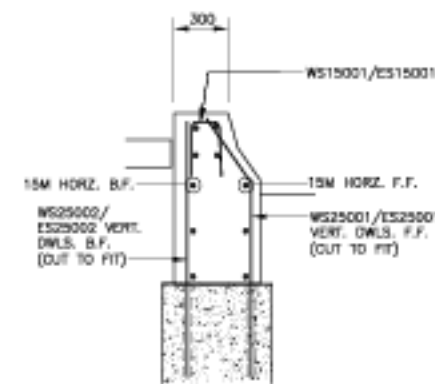
SECTION 2
1: 20
A, B



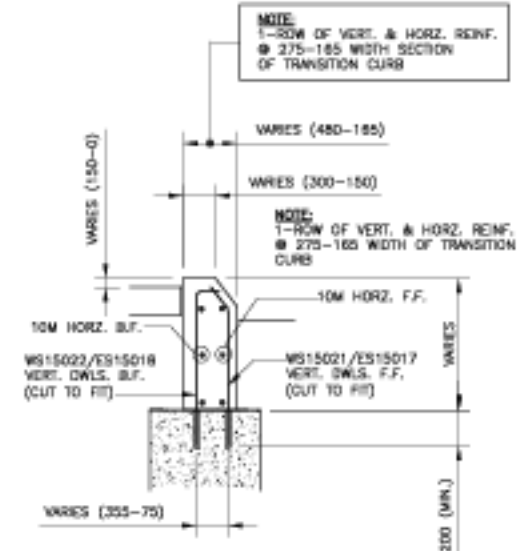
TYPICAL SIDEWALK RETAINING WALL

SECTION 3
1: 20
A, B

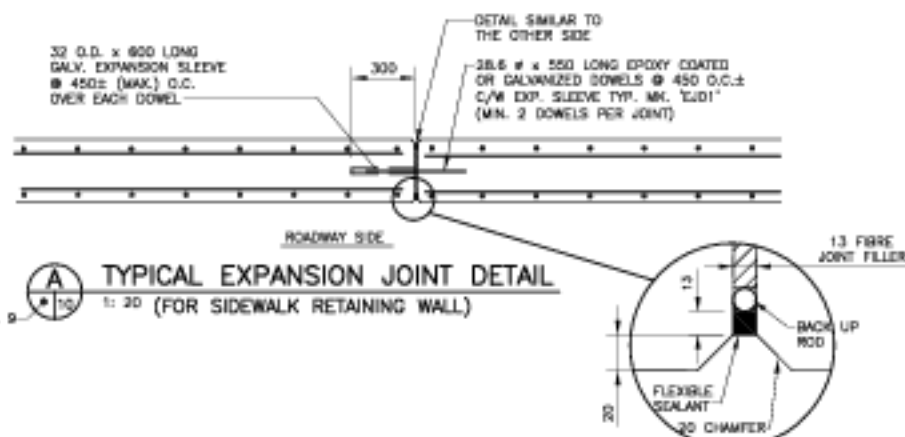
- NOTES:**
1. REBAR SPACING AT 300 (MAX.) TYP. U.N.D.
 2. F.F. = FRONT FACE OF RETAINING WALL (FACING THE ROAD)
 3. B.F. = BACK FACE OF RETAINING WALL (FACING THE SIDEWALK)



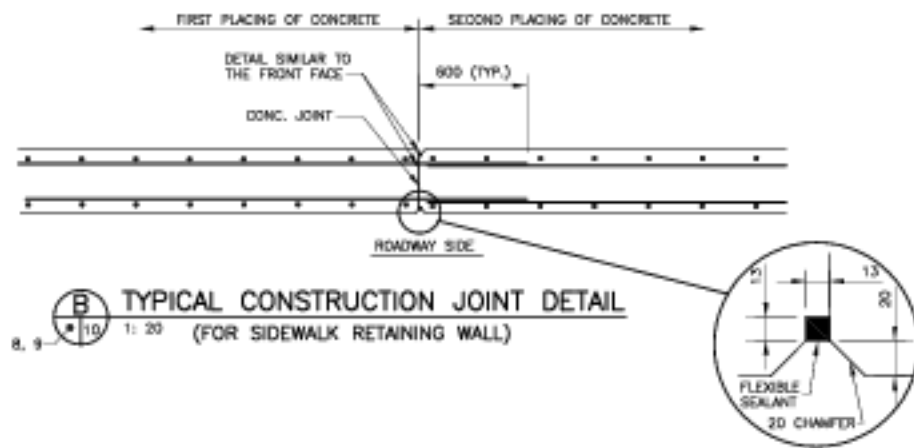
SECTION 4
1: 20
A, B



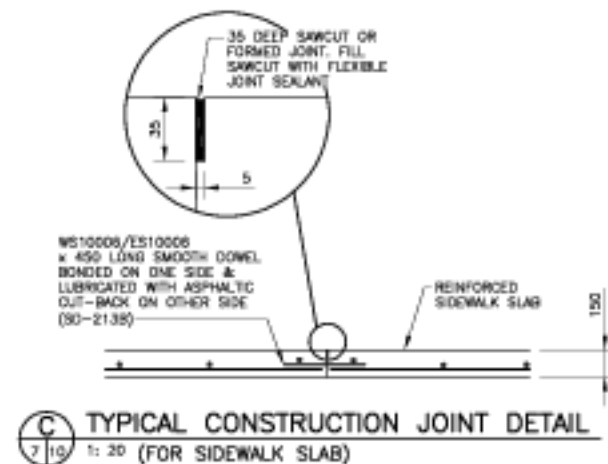
SECTION 5
1: 20
A, B



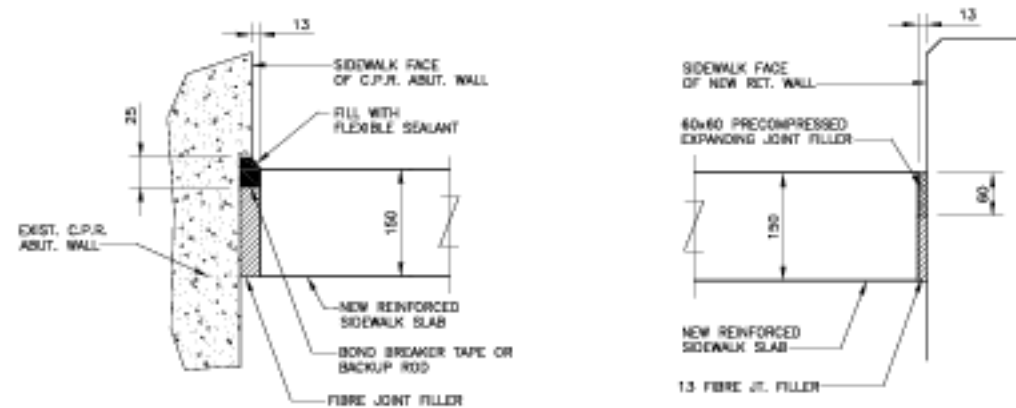
A TYPICAL EXPANSION JOINT DETAIL
1: 20 (FOR SIDEWALK RETAINING WALL)
A, B



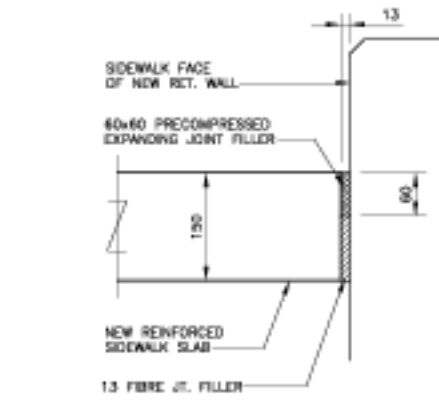
B TYPICAL CONSTRUCTION JOINT DETAIL
1: 20 (FOR SIDEWALK RETAINING WALL)
A, B



C TYPICAL CONSTRUCTION JOINT DETAIL
1: 20 (FOR SIDEWALK SLAB)
A, B



D TYPICAL JOINT DETAIL
1: 5 (FOR EXIST. C.P.R. ABUT. WALL / NEW SIDEWALK SLAB)
A, B



E TYPICAL JOINT DETAIL
1: 5 (FOR NEW RET. WALL / NEW SIDEWALK SLAB)
A, B

**DRAWING REDUCED
NOT TO SCALE**

S.S. DIV. DESIGNED BY: NSD/VRD DRAWN BY: NSD CHECKED BY: ASD REVIEWED BY: SSF DATE: APRIL 2007		OWNER'S SEAL PROVINCE OF MANITOBA PROFESSIONAL ENGINEER S.S. REHAL 99/1787	OWNER'S SEAL PROVINCE OF MANITOBA PROFESSIONAL ENGINEER A.S. DERAJ 851767		THE CITY OF WINNIPEG PUBLIC WORKS DEPARTMENT	CITY DRAWING NUMBER U223-07-10
					2007 CAPITAL PROGRAM ANNABELLA STREET UNDERPASS RETAINING WALL REHABILITATION AND ROADWORKS	SHEET 10 OF 12 BID OPP NO. 291-2007
2 ISSUED FOR TENDER 1 ISSUED FOR CITY REVIEW	NSD/VRD NSD	AS SHOWN VERIFIED	06-7122-2000	CONCRETE SIDEWALK & RETAINING WALL DETAILS		