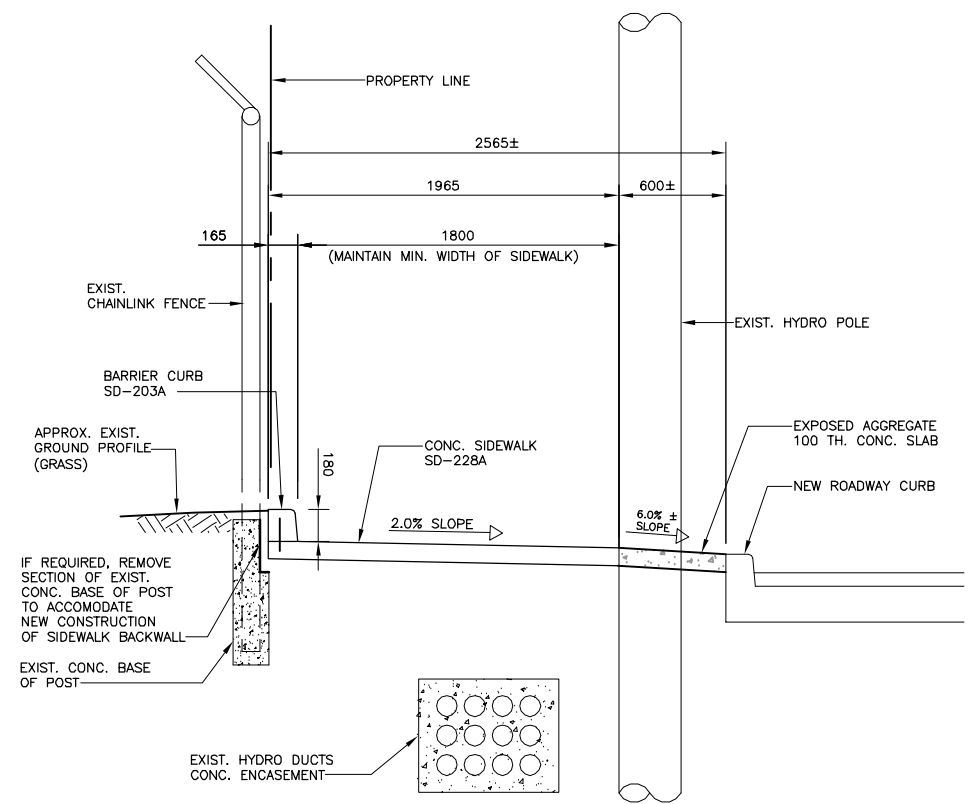
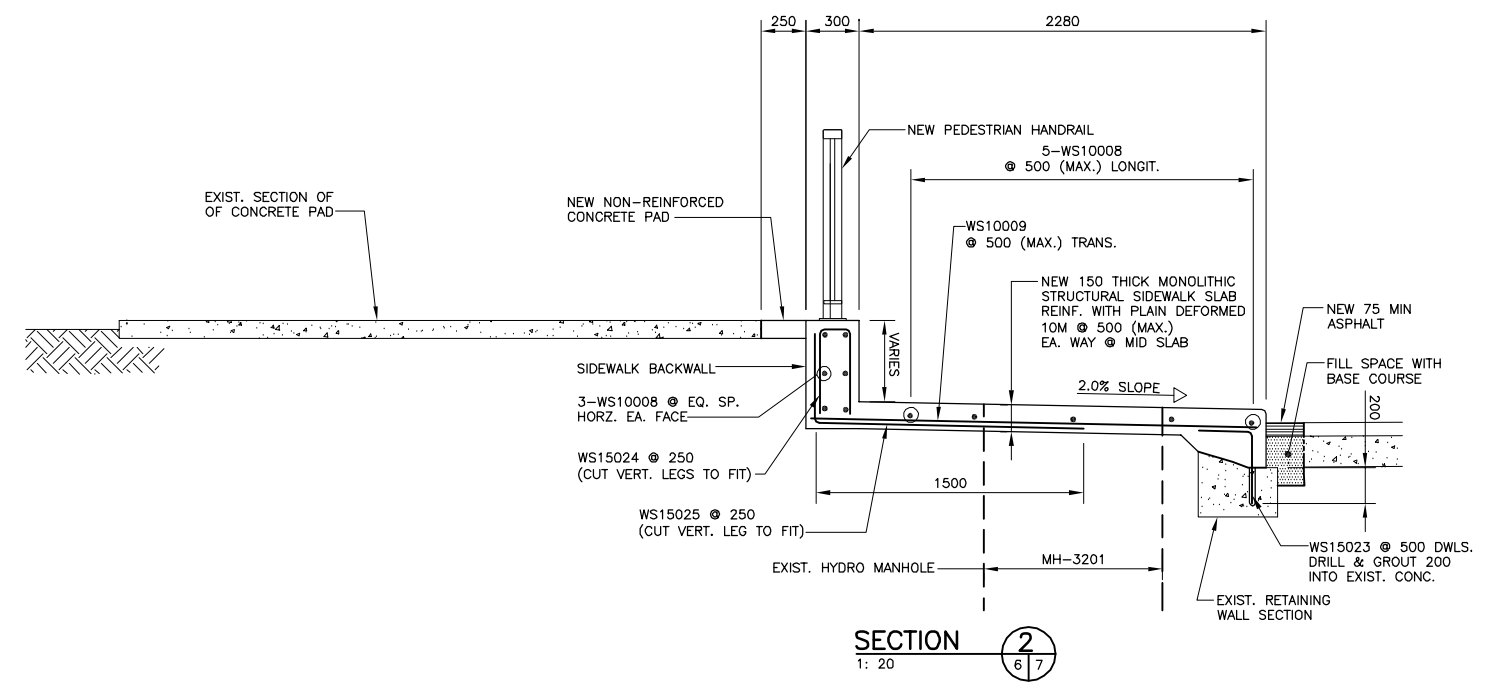


PLAN
1: 150



SECTION 1
1: 20



SECTION 2
1: 20

**DRAWING REDUCED
NOT TO SCALE**

B.M. ELEV.	DESIGNED BY MRD/NBG				THE CITY OF WINNIPEG PUBLIC WORKS DEPARTMENT 2007 CAPITAL PROGRAM ANNABELLA STREET UNDERPASS RETAINING WALL REHABILITATION AND ROADWORKS PROPOSED CONCRETE SIDEWALK & RETAINING WALL 2 OF 2	CITY DRAWING NUMBER U223-07-07
	DRAWN BY NBG					SHEET 7 OF 12
	CHECKED BY MRD					BID OPP NO. 291-2007
	REVIEWED BY RAW					
	HOR. SCALE AS SHOWN VERTICAL DATE APRIL 2007					CONSULTANT PROJECT NO. 06-7122-2000
2 ISSUED FOR TENDER 05/22/07 MRD						
1 ISSUED FOR CITY REVIEW 04/03/07 NBG						
NO. REVISIONS	DATE	BY	DATE			